

# Installation Instructions

# Gas Dryer 03



If you have any questions, call 1-800-GECARES (US) or 1-800-361-3400 (Canada)  
or Visit our Web site at: [www.GEAppliances.com](http://www.GEAppliances.com)

## BEFORE YOU BEGIN

Read these instructions completely and carefully.

- **IMPORTANT** - Save these instructions for local inspector's use.
- **IMPORTANT** - Observe all governing codes and ordinances.
- **Note to Installer** - Be sure to leave these instructions with the customer.
- **Note to Customer** - Keep these instructions with your Use and Care Book for future reference.
- This dryer must be exhausted to the outdoors.
- Before the old dryer is removed from service or discarded, remove the dryer door.
- Service Information and the wiring diagram are located in the control console.
- Service of this dryer must be performed by a qualified installer, service agency, or the gas supplier.
- Do not allow children on or in the appliance. Close supervision of children is necessary when the appliance is used near children.

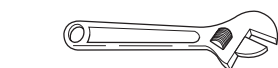
## FOR YOUR SAFETY:

### ⚠ WARNING

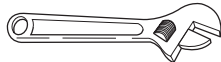
- Use only rigid metal or flexible metal 4-in. diameter ductwork for exhausting to the outdoors. Never use plastic or other combustible easy-to-puncture ductwork.
- This appliance must be properly grounded and installed as described in these instructions.
- Do not install or store appliance in an area where it will be exposed to water and/or weather.
- The National Fuel Gas Code restricts installations of gas appliances in garages. They must be 18 in. off the ground and protected by a barrier from vehicles.
- Install the dryer where the temperature is above 50°F for satisfactory operation of the dryer control system.

**In the state of Massachusetts  
Installation must be performed by a qualified or  
licensed contractor, plumber, or gasfitter qualified or  
licensed by the state.**

## TOOLS YOU WILL NEED



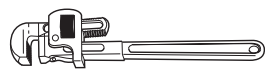
SLIP JOINT PLIERS



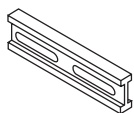
10" ADJUSTABLE WRENCHES (2)



FLAT BLADE SCREWDRIVER



8" PIPE WRENCH

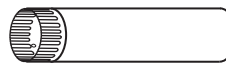


LEVEL

## MATERIALS YOU WILL NEED



4" DIA. METAL ELBOW



4" DIA. METAL DUCT  
(RECOMMENDED)



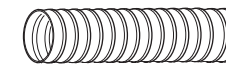
DUCT CLAMPS (2)



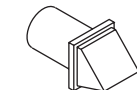
SOAP SOLUTION  
FOR LEAK DETECTION



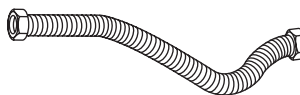
PIPE COMPOUND



4" DIA. FLEXIBLE METAL DUCT  
(IF NEEDED)



EXHAUST HOOD



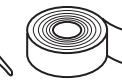
FLEXIBLE GAS LINE CONNECTOR



GLOVES



SAFETY GLASSES



DUCT TAPE

- Step 1 Verify Your Gas Installation (see section 2).
- Step 2 Prepare the Area and Exhaust for Installation of New Dryer (see section 1).
- Step 3 Check and Insure the Existing External Exhaust is Clean (see section 1) and Meets Attached Installation Specifications. (see section 6)
- Step 4 Remove the Foam Shipping Pads (see section 1).
- Step 5 Move the Dryer to the Desired Location.
- Step 6 Level Your Dryer (see section 8).
- Step 7 Connect the Gas Supply (see section 3) and check for leaks (see section 4).

- Step 8 Connect the External Exhaust (see section 7).
- Step 9 Connect the Power Supply (see section 5).
- Step 10 Check the Operation of the Power Supply, Gas Connections, and Venting.
- Step 11 Place the Owners Manual and the Installation Instructions in a Location Where They Will Be Noticed By the Owner.

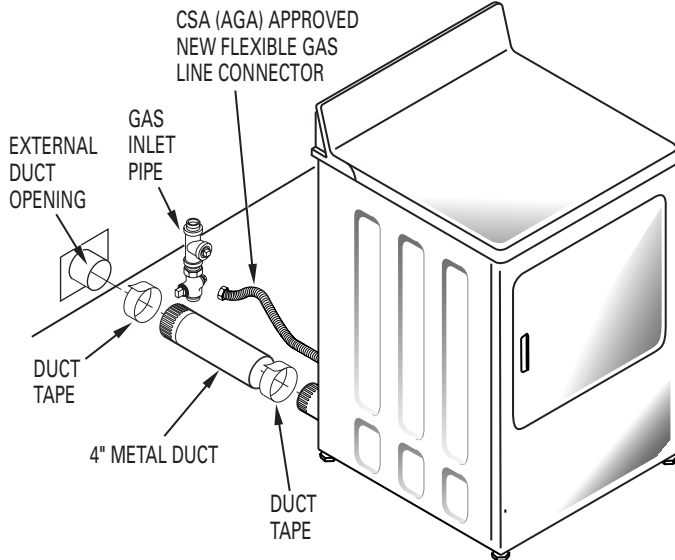
For Alcove or Closet Installation see section 9.  
For Bathroom or Bedroom Installation see section 10.  
For Mobile or Manufactured Home see section 11.

# Installation Instructions

## Minimum Clearance Other Than Alcove or Closet Installation

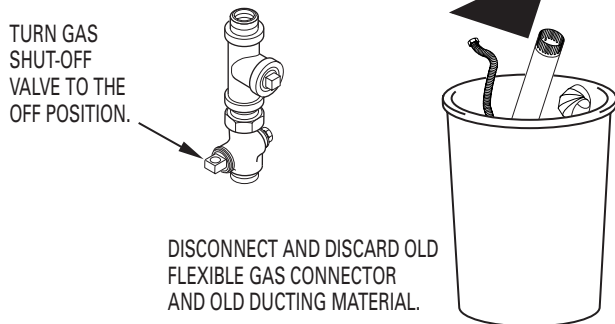
Minimum clearance to combustibles surfaces and for air opening are: 0 in. clearance both sides and 1 in. rear. Consideration **must** be given to provide adequate clearance for proper operation and service.

### 1 PREPARING FOR INSTALLATION OF NEW DRYER



**TIP:** Install your dryer before installing your washer. This will allow better access when installing dryer exhaust.

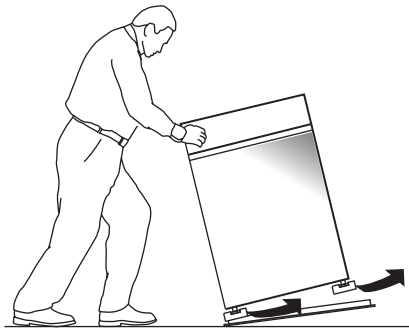
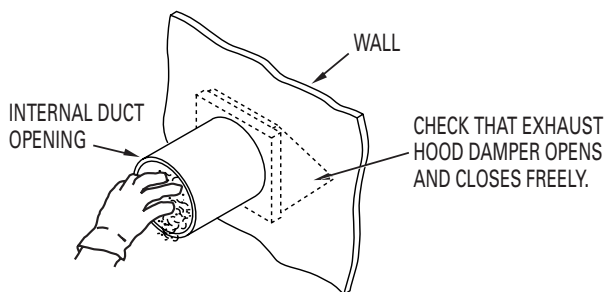
### DISCONNECTING GAS



### WARNING - NEVER REUSE OLD FLEXIBLE CONNECTORS.

The use of old flexible connectors can cause leaks and personal injury. Always use new flexible connectors when installing gas appliances.

### REMOVING LINT FROM WALL EXHAUST OPENING



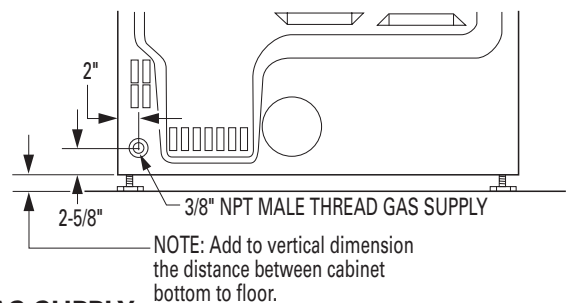
TILT THE DRYER SIDEWAYS AND REMOVE THE FOAM SHIPPING PADS BY PULLING AT THE SIDES AND BREAKING THEM AWAY FROM THE DRYER LEGS. BE SURE TO REMOVE ALL OF THE FOAM PIECES AROUND THE LEGS.

### 2 GAS REQUIREMENTS

#### WARNING

- Installation must conform to local codes and ordinances, or in their absence, the NATIONAL FUEL GAS CODE, ANSI Z223.
- This gas dryer is equipped with a Valve & Burner Assembly for use only with natural gas. Using conversion kit WE25X0217, your local service organization can convert this dryer for use with propane (LP) gas. ALL CONVERSIONS MUST BE MADE BY PROPERLY TRAINED AND QUALIFIED PERSONNEL AND IN ACCORDANCE WITH LOCAL CODES AND ORDINANCE REQUIREMENTS.
- The dryer must be disconnected from the gas supply piping system during any pressure testing of that system at a test pressure in excess of 0.5 PSI (3.4 KPa).
- The dryer must be isolated from the gas supply piping system by closing the equipment shut-off valve during any pressure testing of the gas supply piping of test pressure equal to or less than 0.5 PSI (3.4KPa).

#### DRYER GAS SUPPLY CONNECTION



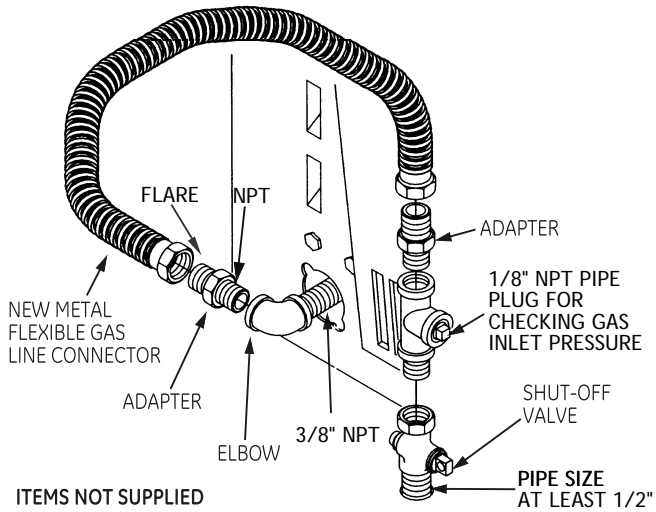
#### GAS SUPPLY

- A 1/8-in. National Pipe Taper thread plugged tapping, accessible for test gauge connection, must be installed immediately upstream of the gas supply connection to the dryer. Contact your local gas utility should you have questions on the installation of the plugged tapping.
- Supply line is to be 1/2-in. rigid pipe and equipped with an accessible shut-off within 6 ft. of, and in the same room with, the dryer.
- Use pipe thread sealer compound or Teflon tape appropriate for natural or LP gas.
- You must use with this dryer a flexible metal connector listed connector ANSI Z21.24 / CSA 6.10. The length of the connect shall not exceed 3 ft.
- Connect flexible metal connector to dryer and gas supply.
- Open shut-off valve.

# Installation Instructions

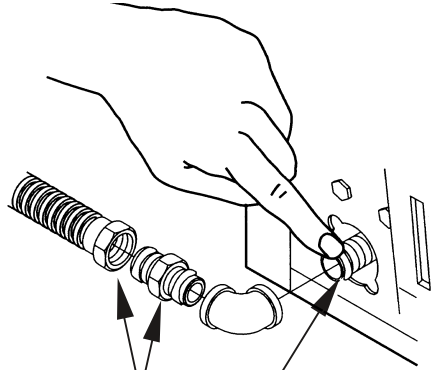
## 3 RECONNECTING GAS

Listed connector ANSI Z21.24 / CSA 6.10



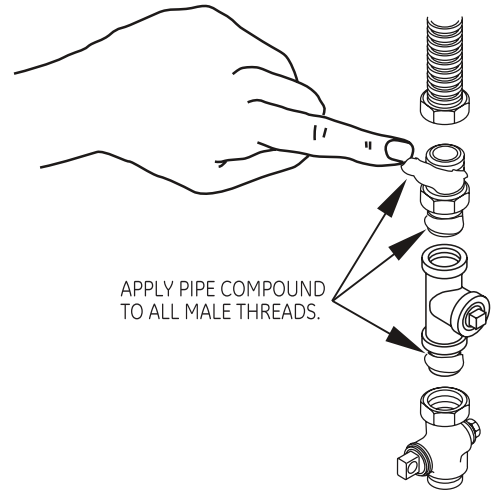
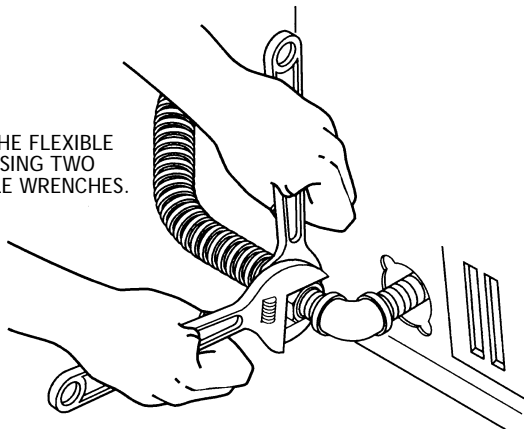
Note: The connector and fittings are designed for use only on the original installation and are not to be reused for another appliance or at another location. Keep flare end of adaptor free of grease, oil and thread sealant.

Caution: Use adapters as shown. Connector nuts must not be connected directly to pipe threads.

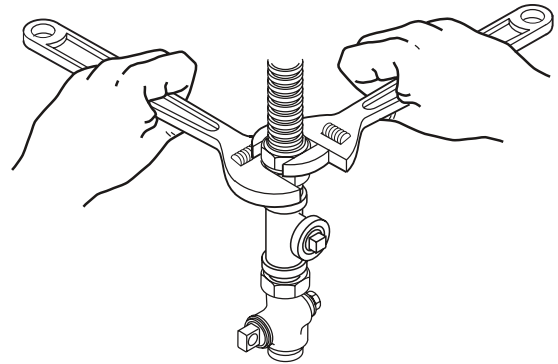


APPLY PIPE COMPOUND TO THE ADAPTER AND DRYER GAS INLET.

TIGHTEN THE FLEXIBLE GAS LINE USING TWO ADJUSTABLE WRENCHES.



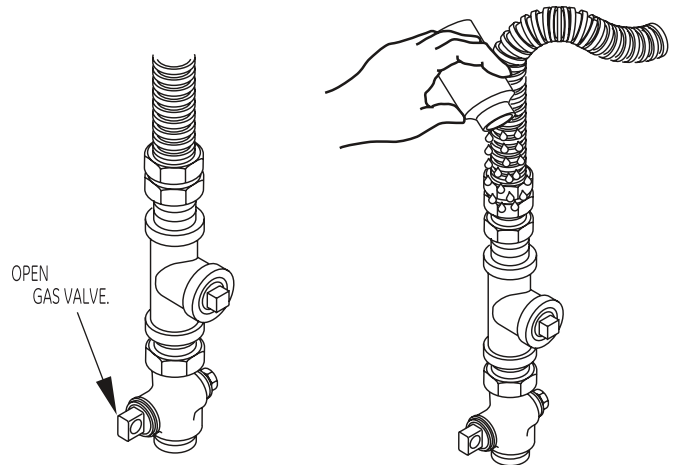
APPLY PIPE COMPOUND TO ALL MALE THREADS.



TIGHTEN ALL CONNECTIONS USING TWO ADJUSTABLE WRENCHES. DO NOT OVERTORQUE GAS CONNECTIONS!

## 4 LEAK TEST

**WARNING - NEVER USE AN OPEN FLAME TO TEST FOR GAS LEAKS.**



OPEN GAS VALVE.

Check all connections for leaks with soapy solution or equivalent. Apply soap solution. **Leak test solution must not contain ammonia which could cause damage to the brass fittings.** If leaks are found, close valve, retighten the joint, and repeat the soap test.

# Installation Instructions

## 5 ELECTRICAL CONNECTION INFORMATION

**⚠ WARNING - TO REDUCE THE RISK OF FIRE, ELECTRICAL SHOCK, AND PERSONAL INJURY:**

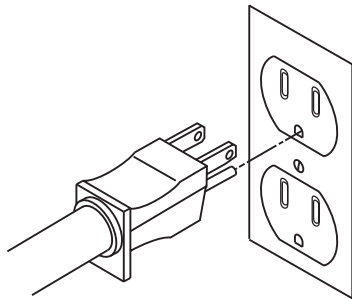
- DO NOT USE AN EXTENSION CORD OR AN ADAPTER PLUG WITH THIS APPLIANCE.

Dryer must be electrically grounded in accordance with local codes and ordinances, or in the absence of local codes, in accordance with the NATIONAL ELECTRICAL CODE, ANSI/NFPA NO. 70.

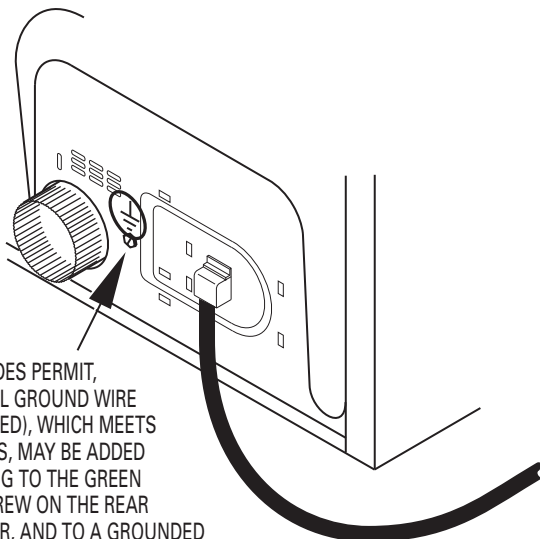
## ELECTRICAL REQUIREMENTS

This appliance must be supplied with 120V, 60Hz, and connected to a properly grounded branch circuit, protected by a 15- or 20-amp circuit breaker or time-delay fuse. If electrical supply provided does not meet the above specifications, it is recommended that a licensed electrician install an approved outlet.

**⚠ WARNING - THIS DRYER IS EQUIPPED A THREE-PRONG (GROUNDING) PLUG FOR YOUR PROTECTION AGAINST SHOCK HAZARD AND SHOULD BE PLUGGED DIRECTLY INTO A PROPERLY GROUNDED THREE-PRONG RECEPTACLE. DO NOT CUT OR REMOVE THE GROUNDING PRONG FROM THIS PLUG.**



**ENSURE PROPER GROUND EXISTS BEFORE USE.**



IF LOCAL CODES PERMIT, AN EXTERNAL GROUND WIRE (NOT PROVIDED), WHICH MEETS LOCAL CODES, MAY BE ADDED BY ATTACHING TO THE GREEN GROUND SCREW ON THE REAR OF THE DRYER, AND TO A GROUNDED METAL COLD WATER PIPE OR OTHER ESTABLISHED GROUND.

## 6 EXHAUST INFORMATION

**⚠ WARNING - USE ONLY METAL 4-IN. DUCT. DO NOT USE DUCT LONGER THAN SPECIFIED IN THE EXHAUST LENGTH TABLE.**

Exhaust longer than specified will:

- Increase the drying times and the energy cost.
- Reduce the dryer life.
- Accumulate lint, creating a potential fire hazard.

**The correct exhaust installation is your responsibility. Problems due to incorrect installation are not covered by the warranty.**

The MAXIMUM ALLOWABLE length of the exhaust system depends upon the type of duct, number of turns, the type of exhaust hood (wall cap), and all conditions noted below. Both rigid and flexible metal duct are shown in the table below.

### EXHAUST LENGTH

	RECOMMENDED MAXIMUM LENGTH			
	Exhaust Hood Types			
	Recommended		Use only for short run installations	
No. of 90° Elbows	Rigid Metal	Flexible Metal	Rigid Metal	Flexible Metal
0	150 Feet	55 Feet	125 Feet	45 Feet
1	135 Feet	52 Feet	115 Feet	42 Feet
2	125 Feet	49 Feet	105 Feet	39 Feet
3	115 Feet	48 Feet	95 Feet	35 Feet
4	105 Feet	43 Feet	85 Feet	33 Feet
5	95 Feet	40 Feet	75 Feet	30 Feet

If using flexible metal duct, please refer to page 6.

### EXHAUST SYSTEM CHECK LIST

#### HOOD OR WALL CAP

- Terminate in a manner to prevent back drafts or entry of birds or other wildlife.
- Termination should present minimal resistance to the exhaust air flow and should require little or no maintenance to prevent clogging.
- Never install a screen in or over the exhaust duct.
- Wall caps must be installed at least 12 in. above ground level or any other obstruction with the opening pointed down.
- If roof vents or louvered plenums are used, they must be equivalent to a 4-in. dampened wall cap in regard to resistance to air flow, prevention of back drafts, and maintenance required to prevent clogging.

#### SEPARATION OF TURNS

For best performance, separate all turns by at least 4 ft. of straight duct, including distance between last turn and dampened wall cap.

#### TURNS OTHER THAN 90°

- One turn of 45° or less may be ignored.
- Two 45° turns should be treated as one 90° turn.
- Each turn over 45° should be treated as one 90° turn.

#### SEALING OF JOINTS

- All joints should be tight to avoid leaks. The male end of each section of duct must point away from the dryer.
- Do not assemble the ductwork with fasteners that extend into the duct. They will serve as a collection point for lint.
- Duct joints should be made air- and moisture-tight by wrapping the overlapped joints with duct tape.
- Horizontal runs should slope down towards outdoors 1/2 inch per foot.

#### INSULATION

- Duct work that runs through an unheated area or is near air conditioning should be insulated to reduce condensation and lint build up.

# Installation Instructions

## 7 EXHAUST CONNECTION

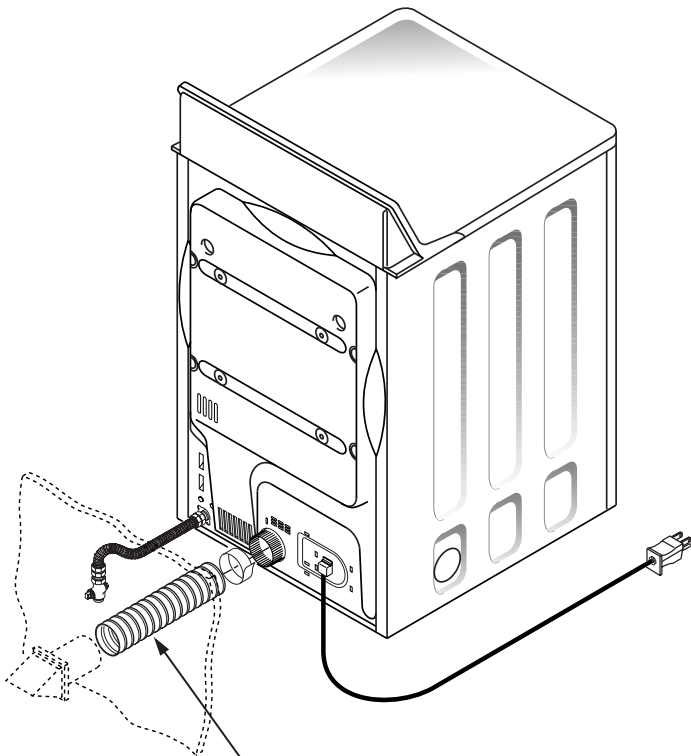
### **⚠ WARNING - TO REDUCE THE RISK OF FIRE OR PERSONAL INJURY:**

- This dryer must be exhausted to the outdoors.
- Use only metal duct.
- Do not terminate exhaust in a chimney, any gas vent, under an enclosed floor (crawl space), or into an attic. The accumulated lint could create a fire hazard.
- Provide an access for inspection and cleaning of the exhaust system, especially at turns. Inspect and clean at least once a year.
- Never terminate the exhaust into a common duct with a kitchen exhaust. A combination of lint and grease could create a fire hazard.
- Do not obstruct incoming or exhausted air.

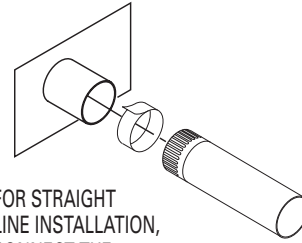
WE RECOMMEND THAT YOU INSTALL YOUR DRYER BEFORE YOUR WASHER. THIS WILL PERMIT DIRECT ACCESS FOR EASIER EXHAUST CONNECTION

THIS DRYER COMES READY FOR REAR EXHAUSTING. IF SPACE IS LIMITED, USE THE INSTRUCTIONS IN SECTION 12 TO EXHAUST DIRECTLY FROM THE LEFT SIDE OR BOTTOM OF THE CABINET.

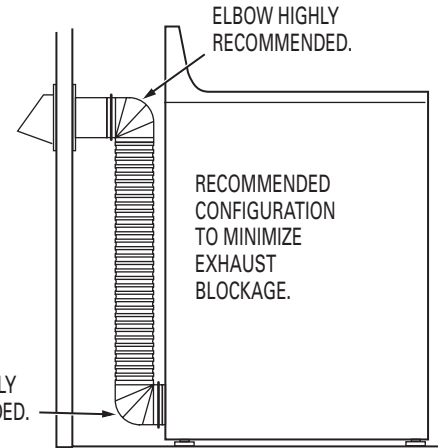
### STANDARD REAR EXHAUST



WE STRONGLY RECOMMEND THE USE OF RIGID METAL EXHAUST DUCT. IF USING FLEXIBLE METAL DUCT, CUT IT TO THE PROPER LENGTH AND AVOID BUNCHING OF THE DUCT BEHIND THE DRYER.



FOR STRAIGHT LINE INSTALLATION, CONNECT THE DRYER EXHAUST TO THE WALL USING DUCT TAPE.

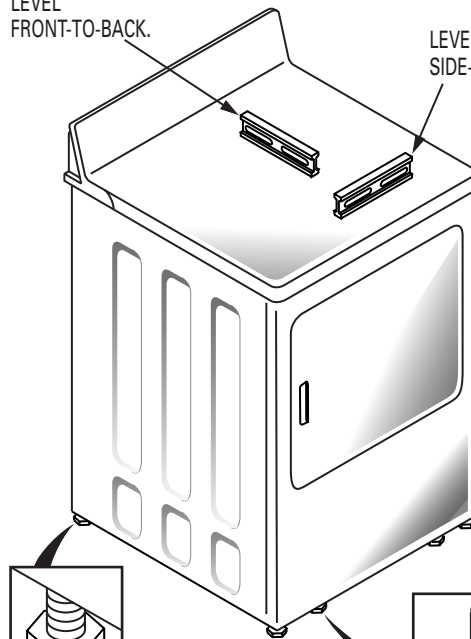


**NOTE: ELBOWS WILL PREVENT DUCT KINKING AND COLLAPSING.**

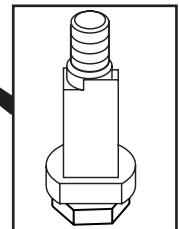
## 8 LEVELING DRYER

LEVEL FRONT-TO-BACK.

LEVEL SIDE-TO-SIDE.



4 LEVELING LEGS



2 ANTI-TIP LEGS

STAND THE DRYER UPRIGHT NEAR THE FINAL LOCATION AND ADJUST THE 4 LEVELING LEGS TO MATCH THE HEIGHT OF YOUR WASHER. ADJUST THE 2 ANTI-TIP LEGS TO CONTACT THE FLOOR.

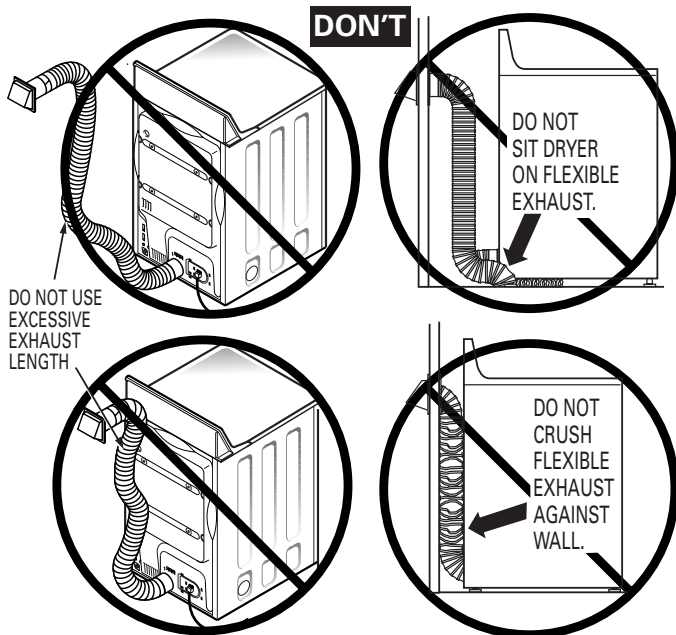
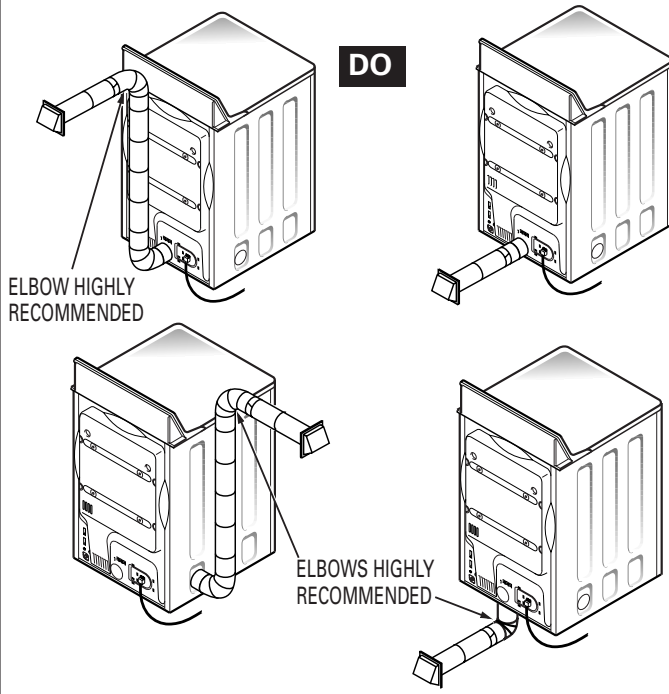
# Installation Instructions

## USING FLEXIBLE METAL DUCTS

If rigid all-metal duct cannot be used, then flexible all-metal venting can be used, but it will reduce the maximum recommended duct length. In special installations when it is impossible to make connection with the above recommendations, then UL-listed clothes dryer transition duct may be used as transition venting between the dryer and wall connection only. The use of this ducting will affect dry time.

If flexible transition duct is necessary, the following directions must be followed.

- Use the Shortest Length Possible.
- Stretch the Duct to Its Maximum Length.
- Do Not Crush or Collapse.
- Never Use Transition Duct Inside the Wall or Inside the Dryer.
- Avoid Resting the Duct on Sharp Objects.
- Venting Must Conform to Local Building Codes.



## 9 ALCOVE OR CLOSET INSTALLATION

- If your dryer is approved for installation in an alcove or closet, it will be stated on a label on the dryer back.
- The dryer **MUST** be vented to the outdoors. See the EXHAUST INFORMATION section.
- Minimum clearance between dryer cabinet and adjacent walls or other surfaces is:  
0 in. either side  
3 in. front and rear
- Minimum vertical space from floor to overhead cabinets, ceiling, etc. is 52 in.
- Closet doors must be louvered or otherwise ventilated and must contain a minimum of 60 sq. in. of open area equally distributed. If the closet contains both a washer and a dryer, doors must contain a minimum of 120 sq. in. of open area equally distributed.
- The closet should be vented to the outdoors to prevent gas pocketing in case of a gas leak in the supply line.
- No other fuel-burning appliance shall be installed in the same closet with the dryer.

## 10 BATHROOM OR BEDROOM INSTALLATION

- The dryer **MUST** be vented to the outdoors. See EXHAUST INFORMATION section 6.
- The installation must conform with local codes or, in the absence of local codes, with the NATIONAL FUEL GAS CODE, ANSI Z223.

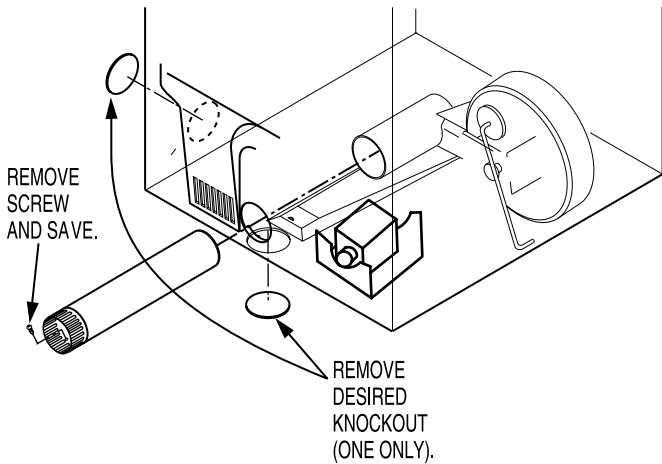
## 11 MOBILE OR MANUFACTURED HOME INSTALLATION

- Installation must conform to the MANUFACTURED HOME CONSTRUCTION & SAFETY STANDARD, TITLE 24, PART 32-80 or, when such standard is not applicable, with AMERICAN NATIONAL STANDARD FOR MOBILE HOME, NO. 501B.
- The dryer **MUST** be vented to the outdoors with the termination securely fastened to the mobile home structure. (See EXHAUST INFORMATION section 6.)
- The vent **MUST NOT** be terminated beneath a mobile or manufactured home.
- The vent duct material **MUST BE METAL**.
- KIT 14-D346-33 **MUST** be used to attach the dryer securely to the structure.
- The vent **MUST NOT** be connected to any other duct, vent, or chimney.
- Do not use sheet metal screws or other refastening devices which extend into the interior of the exhaust vent.
- Provide an opening with a free area of at least 25 sq. in. for introduction of outside air into the dryer room.

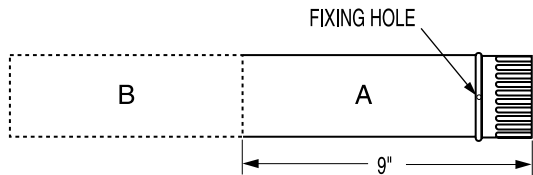
# Installation Instructions:

## 12 DRYER EXHAUST TO RIGHT OR BOTTOM CABINET

**! WARNING - BEFORE PERFORMING THIS EXHAUST INSTALLATION, BE SURE TO DISCONNECT THE DRYER FROM ITS ELECTRICAL SUPPLY. PROTECT YOUR HANDS AND ARMS FROM SHARP EDGES WHEN WORKING INSIDE THE CABINET. BE SURE TO WEAR GLOVES**

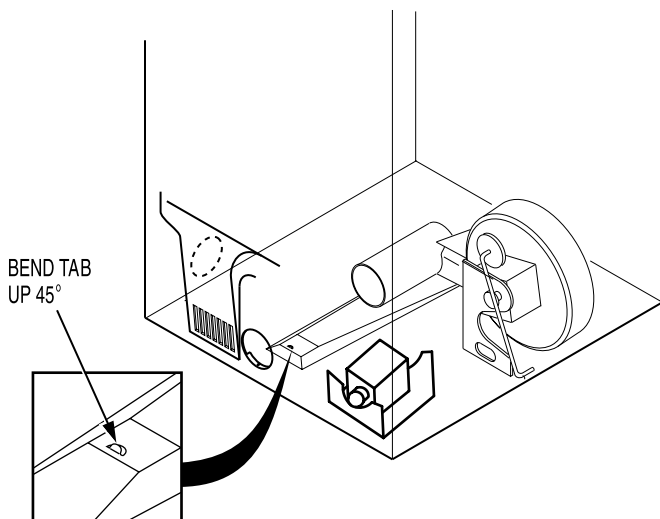


Detach and remove the bottom, right or left side knockout as desired. Remove the screw inside the dryer exhaust duct and save. Pull the duct out of the dryer



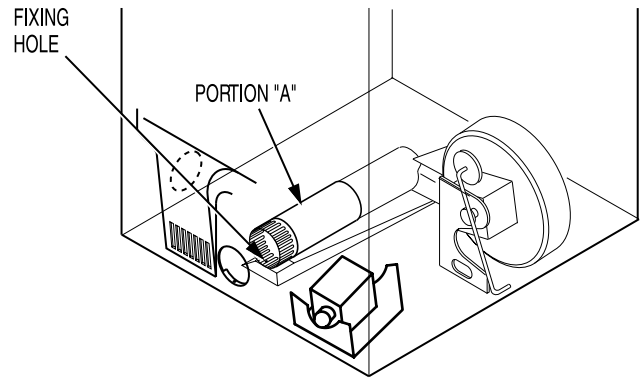
Cut the duct as shown and keep portion A.

## TAB LOCATION



Through the rear opening, locate the tab in the middle of the appliance base. Lift the tab to about 45° using a flat blade screwdriver

## ADDING NEW DUCT

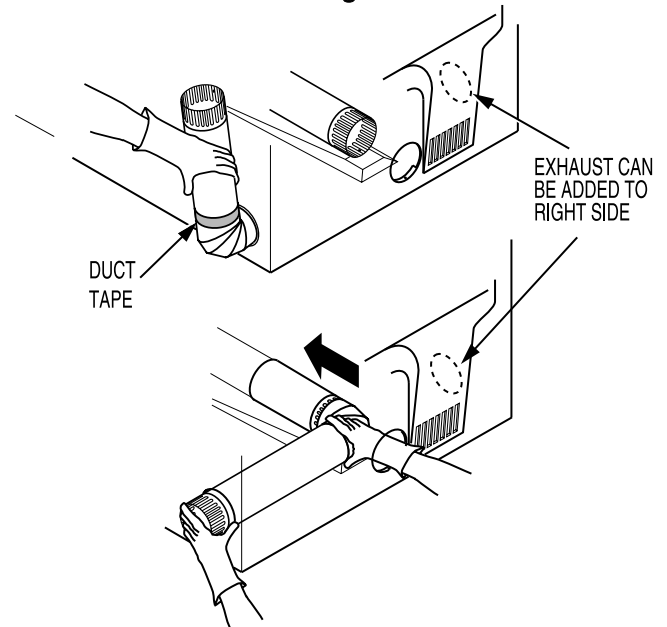


Reconnect the cut portion (A) of the duct to the blower housing. Make sure that the shortened duct is aligned with the tab in the base. Use the screw saved previously to secure the duct in place through the tab on the appliance base.

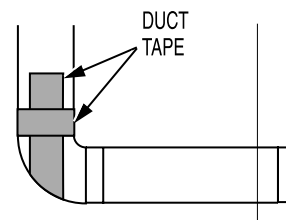
## ADDING ELBOW AND DUCT FOR EXHAUST TO RIGHT SIDE OF CABINET

- Preassemble 4" elbow with 4" duct. Wrap duct tape around joint.
- Insert duct assembly, elbow first, through the side opening and connect the elbow to the dryer internal duct

**CAUTION: Be sure not to pull or damage the electrical wires inside the dryer when inserting the duct**



- Apply duct tape as shown on the joint between the dryer internal duct and the elbow.

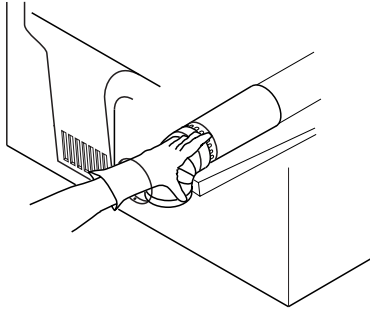


**CAUTION: Internal duct joints must be secured with tape, otherwise they may separate and cause a safety hazard.**

# Installation Instructions

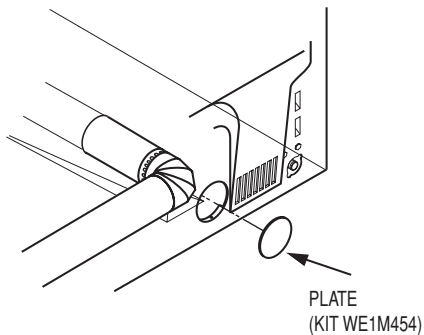
## ADDING ELBOW FOR EXHAUST THROUGH BOTTOM OF CABINET

- Insert the elbow through the rear opening and connect it to the dryer internal duct.
- Apply duct tape on the joint between the dryer internal duct and elbow, as shown on page 7.



**CAUTION:**  
Internal duct joints must be secured with tape, otherwise they may separate and cause a safety hazard.

## ADDING COVER PLATE TO REAR OF CABINET



Connect standard metal elbows and ducts to complete the exhaust system. Cover back opening with a plate (Kit WE1M454) available from your local service provider. Place dryer in final location.

**⚠ WARNING - NEVER LEAVE THE BACK OPENING WITHOUT THE PLATE.**

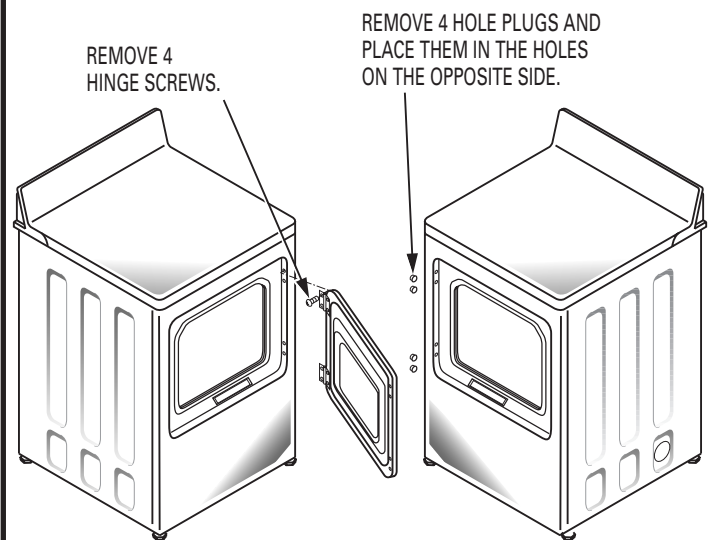
**TO REGISTER YOUR DRYER  
CALL TOLL-FREE  
1-888-269-1192**

Prompt registration confirms your right to protection under the terms of your warranty.

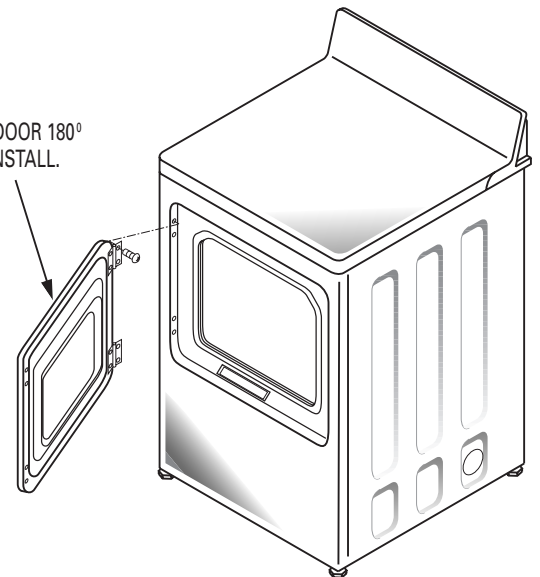
**[www.GEApliances.com](http://www.GEApliances.com)**

For Questions on Installation, Call: 1-800-626-2000 (US) or  
500A420P003 1-800-361-3400 (Canada). Pub. # 31-16139

## 13 CHANGING DIRECTION OF DOOR OPENING



ROTATE DOOR 180°  
AND REINSTALL.



## 14 SERVICING

**⚠ WARNING - LABEL ALL WIRES PRIOR TO DISCONNECTION WHEN SERVICING CONTROLS. WIRING ERRORS CAN CAUSE IMPROPER AND DANGEROUS OPERATION AFTER SERVICING/INSTALLATION.**

For replacement parts and other information, refer to Owner's Manual for servicing phone numbers.