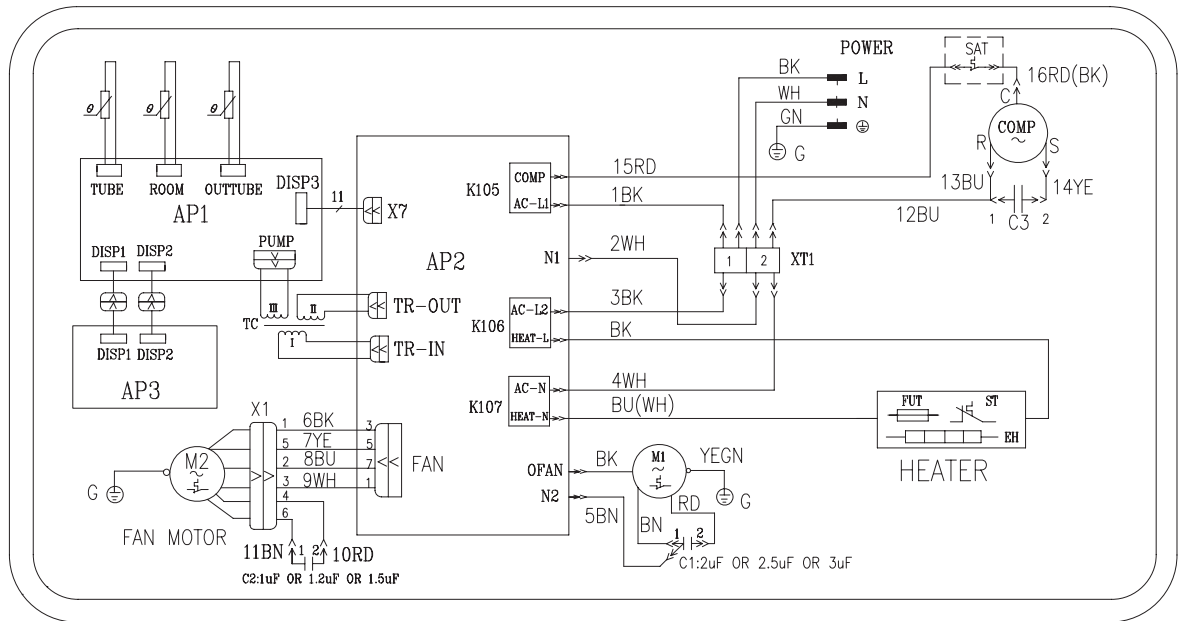


Circuit diagram:



Malfunction display:

1	Indoor air temp sensor open/short	8-segment display 'F1', with STATUS light flash 1 times and off 3 sec, repeat
2	Indoor coil sensor open or short	8-segment display 'F2', with STATUS light flash 2 times and off 3 sec, repeat
3	Outdoor coil sensor open/short	8-segment display 'F4', with STATUS light flash 3 times and off 3 sec, repeat
4	Freeze Guard protection	8-segment display 'FP'
5	Indoor coil freeze protection	STATUS light flash 5 times and off 3 sec, repeat
6	Outdoor coil high temp protection	STATUS light flash 6 times and off 3 sec, repeat
7	Defrost (heat pump type)	STATUS light flash 7 times and off 3 sec, repeat
8	Indoor coil high temp protection	STATUS light flash 8 times and off 3 sec, repeat
9	Thermostat wiring error	STATUS light flash 9 times and off 3 sec, repeat
10	High pressure protection (optional)	8-segment display 'E1', (the highest display grade)



66161287