



Freestanding Ranges

FGEF304DK F/W/B

30" Electric



Product Dimensions

Height (Max.)	49"
Width	30"
Depth (Including Handle)	28-1/4"

More Easy-To-Use Features

Express-Select® Controls
Easily go from warm to boil.

One-Touch Options
Our ovens feature easy-to-use one-touch buttons so you can cook pizza or chicken nuggets – or even add a minute to the timer – with the touch of a button.

SpaceWise® Half Rack
Flexible rack system that adjusts to cook multiple dishes at once. Remove the half rack and you'll have extra height for tall dishes.

Fits-More™ Cooktop
The Fits-More™ cooktop features five elements so you can cook more at once.

Effortless™ Oven Rack
Bottom rack extends when you open the door for easy access.

Real Stainless Steel³
Real stainless steel with a protective coating that reduces fingerprints and smudges so it's easy to clean.

Effortless™ Convection
Takes the guesswork out of convection cooking – our oven does the converting for you.

Sabbath Mode (Star-K® Certified)

Available in:



Elements	Size	Watts
Right Front	9" /12" Expandable	1,700/2,700
Right Rear	6"	1,200
Left Front	6" /9" Expandable	1,600/3,000
Left Rear	6"	1,200
Center	Keep Warm Zone	100

Signature Features



Fits-More™ Double Oven Range
A second 2.3 cu. ft. oven gives you more space to cook multiple dishes at the same time.



Quick Preheat
Preheat in less than six minutes!¹



True Convection²
Multi-rack baking is faster and more even with True Convection.



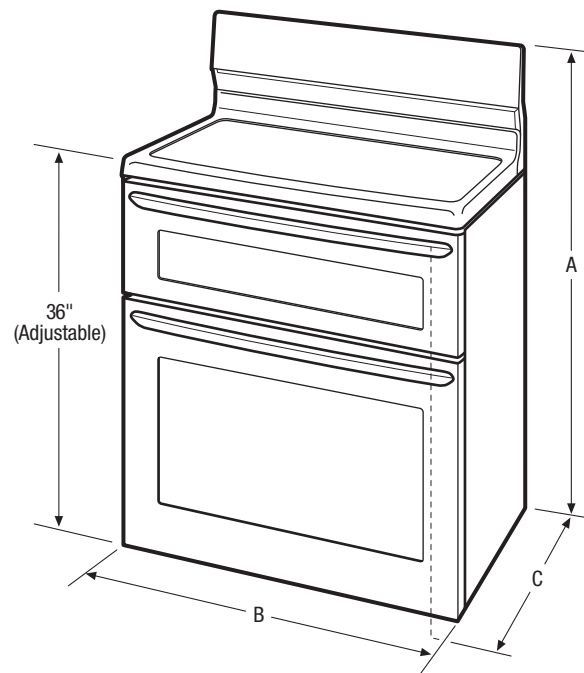
Quick Boil
Boils water faster.

¹Based on single rack cooking performance, not set temperature, using Quick Preheat.

²Main oven only.

³Select model only.

Features	
Oven Control/Timing System	Express-Select® Controls
Surface Type	Black Ceramic Glass (F), Color-C. Ceramic Gl. (W/B)
Window	Large
Exterior Door Finish	Real Stainless Steel (F), Color-Coordinated (W/B)
Handle Design	Stainless Steel (F), Color-Coordinated (W/B)
Exterior Finish (Side Panels)	Black (F), Color-C. (W/B)
Convection System	True Convection (Main)
Oven Cleaning System	Self Clean
Auxiliary Oven	Fits-More™ Upper Oven
Oven Controls	
Bake/Broil	Yes/Variable (400 - 500 °F)
Effortless™ Convection Conversion	Yes (Main)
Convection Bake/Broil/Roast	Yes/Yes/Yes (Main)
Quick Bake Convection	
Quick Preheat	Yes
My Favorite	
Chicken Nugget Button	Yes
Pizza Button	Yes
Keep Warm	Yes
Add-a-Minute	Yes
Delay Bake	Yes
Self Clean	Yes
Quick Clean Option	2, 3, 4 Hours
Delay Clean	Yes/Yes
Kitchen Timer/Timed Cook Option	6 Hours
Auto Oven Shutoff	Yes
Auxiliary Oven Control	Electronic
Cooktop Features	
Right Front Element (Watts)	SpaceWise® Expandable 9"/12" - 1,700/2,700
Right Rear Element (Watts)	6" - 1,200
Left Front Element (Watts)	SpaceWise® Expandable 6"/9" - 1,600/3,000
Left Rear Element (Watts)	6" - 1,200
Bridge Element (Watts)	
Center Element (Watts)	Keep Warm Zone - 100
Oven Features	
Main/Auxiliary Capacity (Cu.Ft.)	4.34/2.3
Main/Auxiliary Oven Light	1/1
Hidden Bake Element	Yes
Rack Configuration	1 Heavy-Duty, 1 SpaceWise® Half Rack, 1 Effortless™
Baking System	Even Baking Technology
Broiling System	Vari-Broil™
Main Bake/Broil Burners (Watts)	2,500/3,400
Auxiliary Bake/Broil Burners (Watts)	2,200/3,000
Auxiliary Oven Racks	1 Heavy-Duty Handle Rack
Certifications	
Sabbath Mode (Star-K® Cert.)	Yes
Specifications	
Main Oven Interior (H x W x D)	16-1/2" x 24-1/8" x 18-7/8"
Auxiliary Oven Interior (H x W x D)	8-3/8" x 24-3/8" x 19-3/8"
Power Supply Connection Location	Left Bottom Rear
Voltage Rating	240V/208V/60Hz
Connected Load (kW Rating) @ 240/208 Volts	15.4/11.6
Minimum Circuit Required (Amps)	40
Shipping Weight (Approx.)	265 Lbs.



NOTE: For planning purposes only. Always consult local and national electric codes. Refer to Product Installation Guide for detailed installation instructions on the web at frigidaire.com.



Product Dimensions	
A - Height (Max.)	49"
B - Width	30"
C - Depth (Including Handle)	28-1/4"
Depth with Door Open 90°	46"

Cutout Dimensions	
Height (Standard)	36"
Width (Min.)	30-1/8"
Depth (Min.)	24"

Accessories information available on the web at frigidaire.com

FRIGIDAIRE

USA • 10200 David Taylor Drive • Charlotte, NC 28262 • 1-800-FRIGIDAIRE • frigidaire.com
CANADA • 5855 Terry Fox Way • Mississauga, ON L5V 3E4 • 1-800-265-8352 • frigidaire.ca

FGEF304DK 01/11

© 2011 Electrolux Home Products, Inc.

Specifications subject to change. Printed in the U.S.A.

Use these dimensions and clearance instructions for planning purposes only. For detailed installation instructions, refer to installation guide, packed with product, or on the web at frigidaire.com.



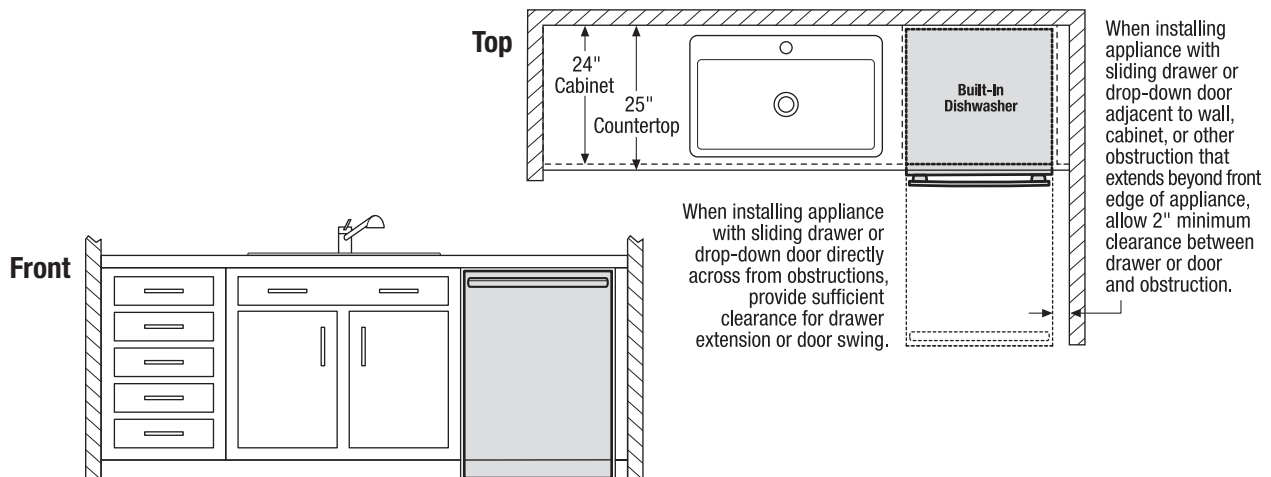
When installing appliances adjacent to each other, 20" minimum distance between each appliance required.

When installing built-in cooking appliances in combination, 2" minimum visible gap between appliance faceplates required.



When installing side-by-side refrigerator adjacent to wall, cabinet or another appliance that extends beyond front edge of unit, 20" minimum clearance recommended to allow for optimum 120° to 180° door swing, providing complete drawer/crisper access and removal.

When installing appliance with sliding drawer, swinging or drop-down door directly across from obstructions, provide sufficient clearance for drawer extension or door swings.



When installing appliance with sliding drawer or drop-down door directly across from obstructions, provide sufficient clearance for drawer extension or door swing.

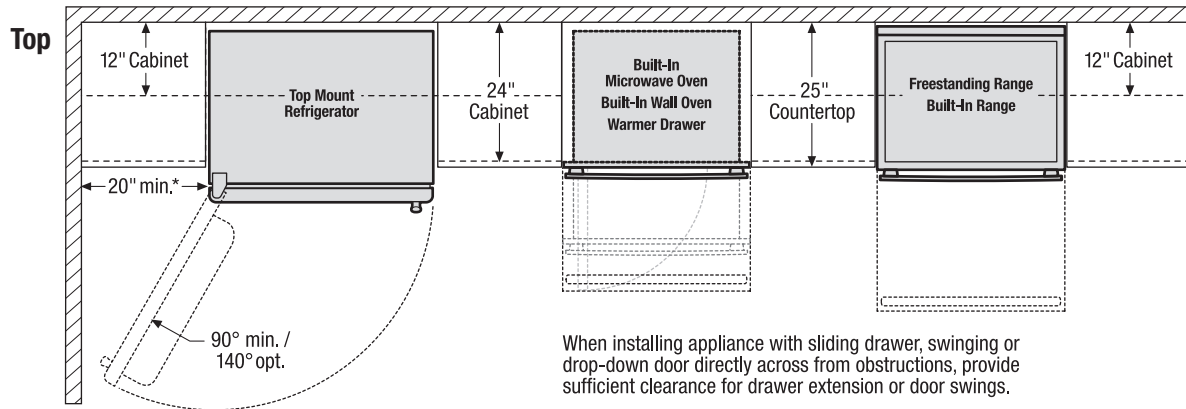
When installing appliance with sliding drawer or drop-down door adjacent to wall, cabinet, or other obstruction that extends beyond front edge of appliance, allow 2" minimum clearance between drawer or door and obstruction.

Use these dimensions and clearance instructions for planning purposes only. For detailed installation instructions, refer to installation guide, packed with product, or on the web at frigidaire.com.



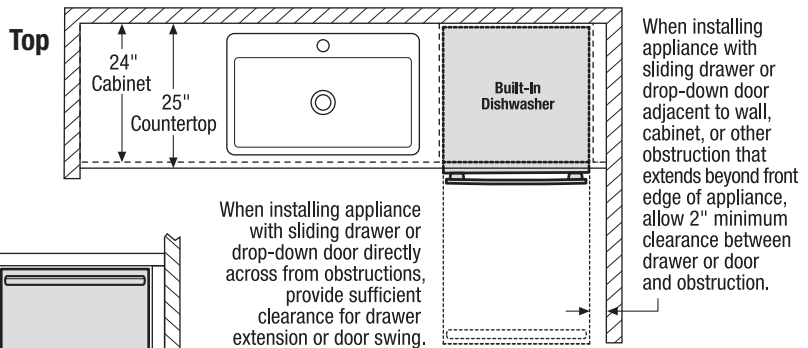
When installing appliances adjacent to each other, 20" minimum distance between each appliance required.

When installing built-in cooking appliances in combination, 2" minimum visible gap between appliance faceplates required.



When installing appliance with sliding drawer, swinging or drop-down door directly across from obstructions, provide sufficient clearance for drawer extension or door swings.

*When installing refrigerator adjacent to wall, cabinet or other appliance that extends beyond front edge of unit, 20" minimum clearance recommended to allow for optimum 140° door swing, providing complete crisper access and removal. (Absolute 3" minimum clearance will ONLY allow for 90° door swing which will provide limited crisper access with restricted removal.)



When installing appliance with sliding drawer or drop-down door directly across from obstructions, provide sufficient clearance for drawer extension or door swing.

