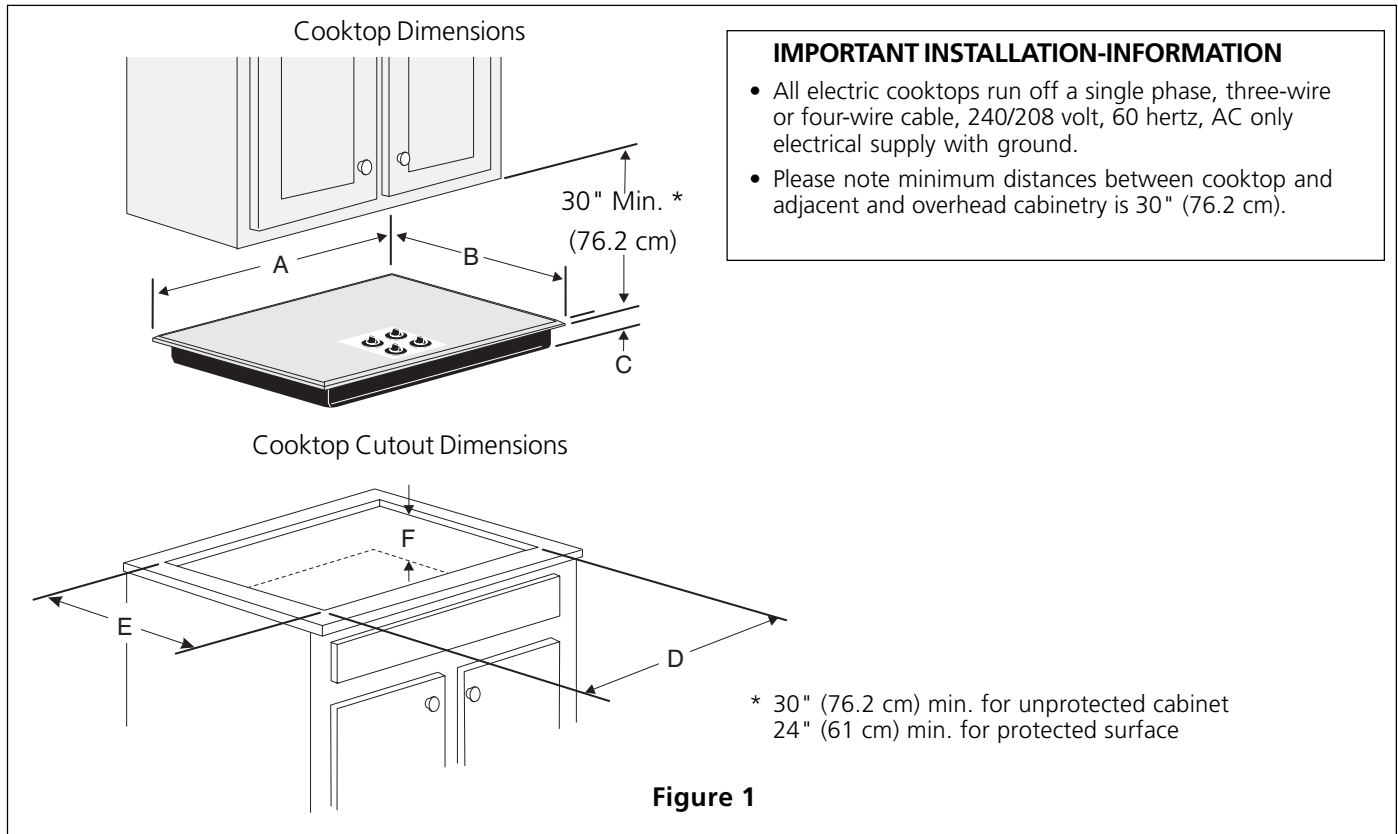


ELECTRIC COOKTOP INSTALLATION INSTRUCTIONS

**INSTALLATION AND SERVICE MUST BE PERFORMED BY A QUALIFIED INSTALLER.
IMPORTANT: SAVE FOR LOCAL ELECTRICAL INSPECTOR'S USE.
READ AND SAVE THESE INSTRUCTIONS FOR FUTURE REFERENCE.**

⚠ WARNING FOR YOUR SAFETY: Do not store or use gasoline or other flammable vapors and liquids in the vicinity of this or any other appliance.



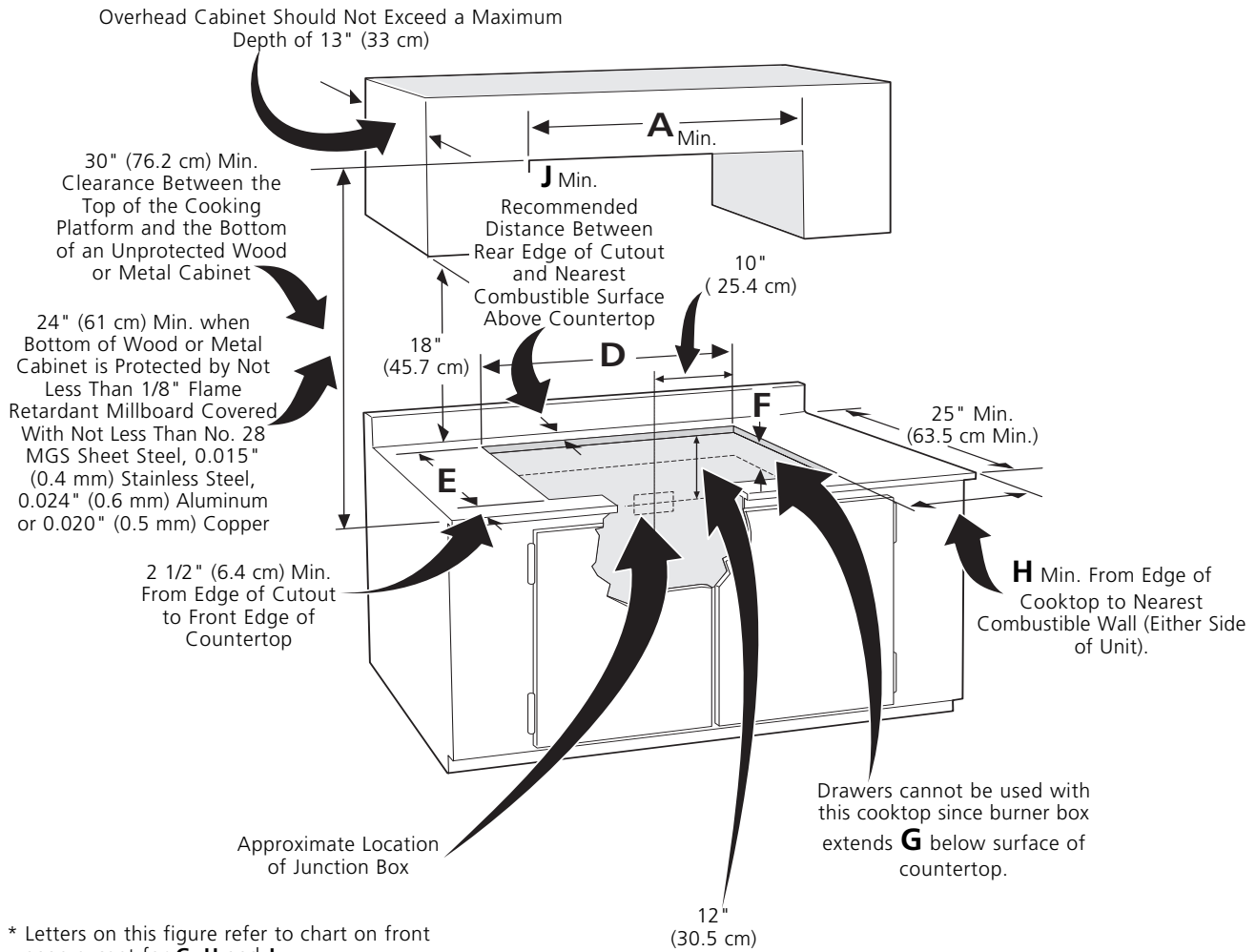
MODEL	A. LENGTH	B. WIDTH	C. DEPTH	CUTOUT DIMENSIONS				F. DEPTH BELOW COOKTOP*
				D. LENGTH		E. WIDTH		
				MIN.	MAX.	MIN.	MAX.	
26" Coil Elements	25 3/4 (65.4)	21 9/16 (54.8)	3 1/2 (8.9)	25 (63.5)	25 (63.5)	20 1/2 (52.1)	20 1/2 (52.1)	5 1/2 (14)
30" Ceramic-Glass	30 3/4 (78.1)	21 3/8 (54.3)	3 (7.6)	29 5/8 (75.2)	29 7/8 (75.9)	20 1/4 (51.4)	20 1/2 (52.1)	5 (12.7)
30" Coil Elements	30 (76.2)	21 1/2 (54.6)	3 (7.6)	26 3/4 (67.9)	28 1/4 (71.8)	19 1/8 (48.6)	20 (50.8)	5 (12.7)
32" Ceramic-Glass	32 1/4 (81.9)	20 1/4 (51.4)	3 3/4 (9.5)	31 (78.7)	31 1/4 (79.4)	19 (48.3)	19 1/4 (48.9)	5 3/4 (14.6)
32" Coil Elements	32 1/4 (81.9)	20 1/4 (51.4)	3 3/4 (9.5)	31 (78.7)	31 1/4 (79.4)	19 (48.3)	19 1/4 (48.9)	5 3/4 (14.6)
36" Ceramic-Glass	36 3/4 (93.3)	21 3/8 (54.3)	3 (7.6)	35 7/8 (91.1)	36 1/8 (91.8)	20 1/4 (51.4)	20 1/2 (52)	5 (12.7)
36" Coil Elements (36"X18" model)	36 (91.4)	18 (45.7)	3 7/8 (9.8)	34 1/4 (87)	34 3/8 (87.3)	16 5/8 (42.2)	16 3/4 (42.5)	5 7/8 (14.9)
36" Coil Elements (36"X21 1/2" model)	36 (91.4)	21 1/2 (54.6)	3 (7.6)	32 3/4 (83.2)	34 1/4 (87)	19 (48.3)	20 (50.8)	5 (12.7)

All dimensions are in inches (cm).

Only some models are available in Canada.

* Allow 2" (5 cm) space below cooktop to clear the electric cable and allow for installation of the junction box on the wall at the back of the cooktop.

ELECTRIC COOKTOP INSTALLATION INSTRUCTIONS



CAUTION To eliminate the risk of burns or fire by reaching over heated surfaces, cabinet storage space located above the cooktop should be avoided. If cabinet storage is provided, risk can be reduced by installing a range hood that projects horizontally a minimum of 5" (12.7 cm) beyond the bottom of the cabinets.

MODEL	G	H	J
26" Coil Elements	3 1/2" (8.9 cm)	3" (7.6 cm)	2" (5.1 cm)
30" Ceramic-Glass	4" (10.2 cm)	7 1/2" (19.1 cm)	2" (5.1 cm)
30" Coil Elements	6" (15.2 cm)	7 1/2" (19.1 cm)	2 1/4" (5.7 cm)
32" Ceramic-Glass	4" (10.2 cm)	7 1/2" (19.1 cm)	2" (5.1 cm)
32" Coil Elements	6" (15.2 cm)	7 1/2" (19.1 cm)	2 1/4" (5.7 cm)
36" Ceramic-Glass	4" (10.2 cm)	7 1/2" (19.1 cm)	2" (5.1 cm)
36" Coil Elements (36" X 18")	6" (15.2 cm)	3" (7.6 cm)	3" (7.6 cm)
36" Coil Elements (36" X 21 1/2")	6" (15.2 cm)	7 1/2" (19.1 cm)	2 1/4" (5.7 cm)

Figure 2 – COUNTERTOP CUTOUT OPENING

ELECTRIC COOKTOP INSTALLATION INSTRUCTIONS

Important Notes to the Installer

1. Read all instructions contained in these installation instructions before installing the cooktop.
2. Remove all packing material before connecting the electrical supply to the cooktop.
3. Observe all governing codes and ordinances.
4. Be sure to leave these instructions with the consumer.

Important Note to the Consumer

Keep these instructions with your owner's guide for future reference.

IMPORTANT SAFETY INSTRUCTIONS

- Be sure your cooktop is installed and grounded properly by a qualified installer or service technician.
- These cooktops must be electrically grounded in accordance with local codes or, in their absence, with the National Electrical Code ANSI/NFPA No. 70—latest edition in the United States, or with CSA Standard C22.1, Canadian Electrical Code, Part 1, in Canada.

⚠ WARNING The electrical power to the cooktop must be shut off while line connections are being made. Failure to do so could result in serious injury or death.

Provide Electrical Connection

Install the junction box under the cabinet and run 120/240 or 120/208 Volt, AC wire from the main circuit panel. DO NOT connect the wire to the circuit panel at this time.

Electrical Requirements

Observe all governing codes and local ordinances.

1. A 3-wire or 4-wire single phase 120/240 or 120/208 Volt, 60 Hz AC only electrical supply is required on a separate circuit fused on both sides of the line (time-delay fuse or circuit breaker is recommended). DO NOT fuse neutral. The fuse size must not exceed the circuit rating of the appliance specified on the nameplate.

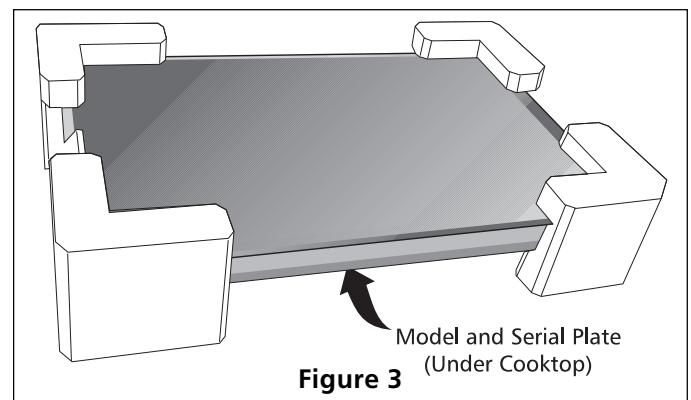
NOTE: Wire sizes and connections must conform with the fuse size and rating of the appliance in accordance with the National Electrical Code ANSI/NFPA No. 70—latest edition, or with CSA Standard C22.1, Canadian Electrical Code, Part 1, and local codes and ordinances.

An extension cord must not be used with this appliance. Such use may result in a fire, electrical shock, or other personal injury.

2. The appliance should be connected to the fused disconnect (or circuit breaker) box through flexible armored or nonmetallic sheathed cable. The flexible armored cable extending from this appliance should be connected directly to the grounded junction box. The junction box should be located as shown in Figure 2 with as much slack as possible remaining in the cable between the box and the appliance, so it can be moved if servicing is ever necessary.
3. A suitable strain relief must be provided to attach the flexible armored cable to the junction box.

⚠ WARNING Unpacking Instructions

(Models with Ceramic-Glass Smoothtop Only)



1. Leave corner supports on cooktop until completion of Electrical Connection.
2. Be sure the bottle of cleaner conditioner packed in the literature bag is left where the user can find it easily. It is important that the ceramic-glass smoothtop be pretreated before use.

Electrical Connection

Connect the flexible armored cable that extends from the surface unit to the junction box using a suitable strain relief at the point the armored cable enters the junction box. Then make the electrical connection as follows.

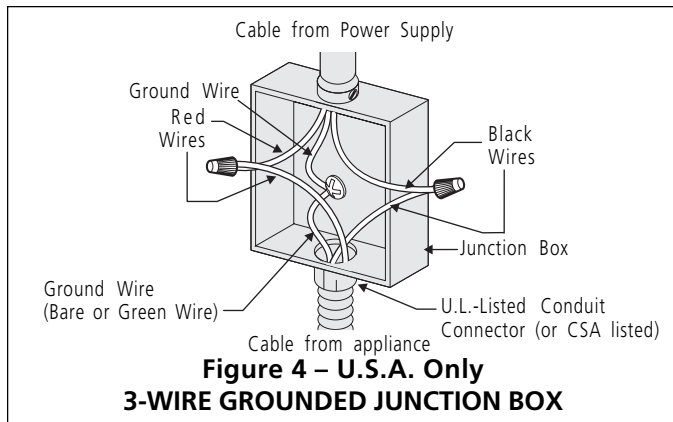
Electrical ground is required on this appliance.

ELECTRIC COOKTOP INSTALLATION INSTRUCTIONS

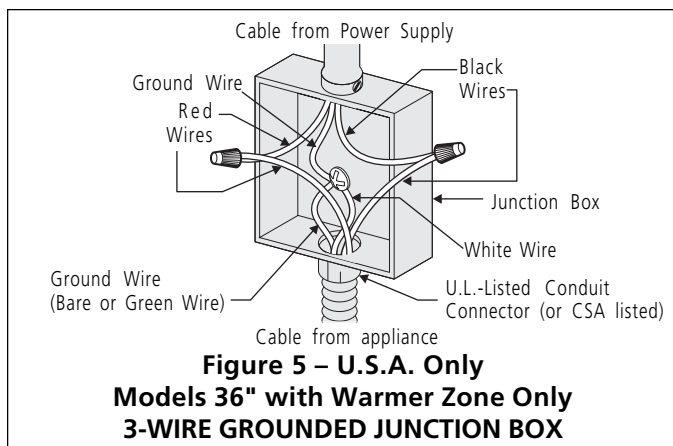
This appliance is equipped with a copper conductor flexible cable. If connection is made to aluminum house wiring, use only special connectors which are approved for joining copper and aluminum wires in accordance with the National Electrical Code and local codes and ordinances.

This appliance is manufactured with a frame connected green (or bare copper) ground wire.

- 1. If connecting to a 3-wire supply cable (U.S.A. only):** If local codes permit connection of the frame grounding conductor to the neutral (white) wire: (The 3-conductor cord or cable must be replaced with a 4-conductor cord or cable where grounding through the neutral conductor is prohibited in new installations, mobile homes, recreational vehicles or in other areas where local codes do not permit neutral grounding)
Connect the green (or bare copper) wire (and the white wire for model with warmer zone) from the appliance cable to the supply cable ground wire (white or bare) inside the junction box. Connect the remaining wires inside the junction box (see Figure 4 or 5) from the power supply cable to the matching colors of the appliance cable wires.



**Figure 4 – U.S.A. Only
3-WIRE GROUNDED JUNCTION BOX**



**Figure 5 – U.S.A. Only
Models 36" with Warmer Zone Only
3-WIRE GROUNDED JUNCTION BOX**

⚠ WARNING Improper connection of aluminum house wiring to copper leads can result in a short circuit or fire. Use only connectors designed for joining copper to aluminum, and follow the manufacturer's recommended procedure closely.

- 2. If connecting to a 4-wire supply cable (also mobile homes):** The appliance frame must not be connected to the neutral wire of the 4-wire electrical system. Connect the appliance white wire (if a 4-wire appliance cable is supplied) to the power supply cable white wire. Cap the white wire from the power supply cable if a 3-wire appliance cable is supplied. Connect the remaining wires from the supply cable to the matching color wires from the appliance cable (see Figure 6 or 7). The green (or bare copper) wire must now be used to ground the appliance in accordance with local electrical codes. The green (or bare copper) wire from the power supply cable is grounded inside the house service panel.

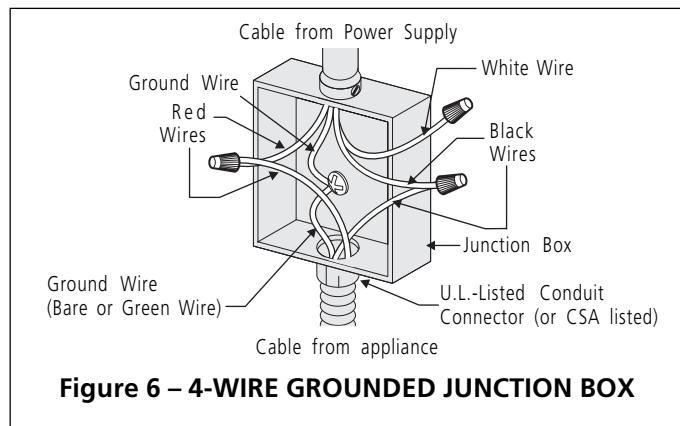
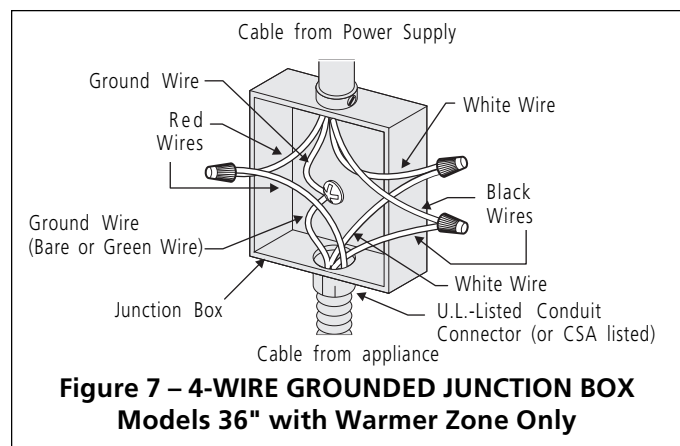


Figure 6 – 4-WIRE GROUNDED JUNCTION BOX



**Figure 7 – 4-WIRE GROUNDED JUNCTION BOX
Models 36" with Warmer Zone Only**

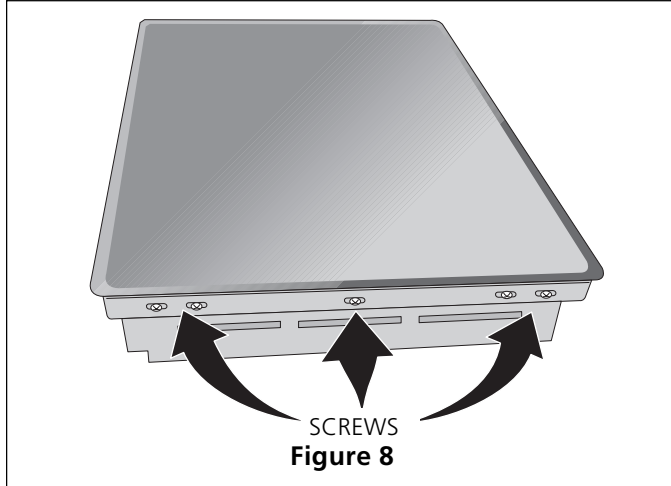
⚠ WARNING DO NOT ground to a gas supply pipe. DO NOT connect to electrical power supply until appliance is permanently grounded. Connect the ground wire before turning on the power.

ELECTRIC COOKTOP INSTALLATION INSTRUCTIONS

Cooktop Installation

1. All Ceramic-Glass Cooktops

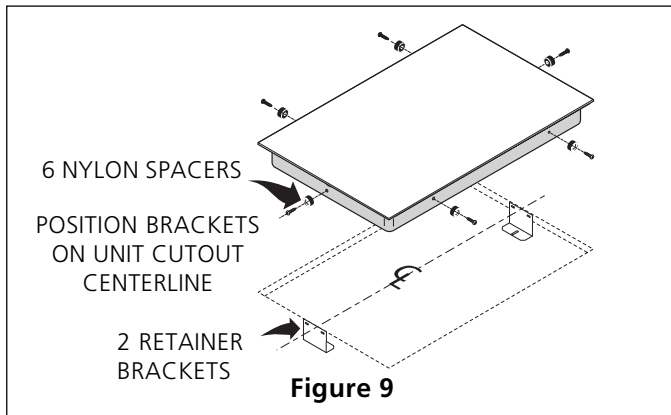
Visually inspect the cooktop for damage. Also make sure all cooktop screws are tight (see Figure 8).



Set the cooktop into the countertop cutout.

NOTE: Do not use caulking compound; cooktop should be removable for service when needed.

⚠ WARNING Do not remove the nylon spacers on the edges of the cooktop. These spacers center the cooktop in the space provided. The cooktop must be centered to prevent excess heat buildup that may result in heat damage or fire (see Figure 9).



The retainer brackets **MUST** be installed, to meet local codes or, in their absence, with the National Electrical Code ANSI/NFPA No. 70—latest edition, or with CSA Standard C22.1, Canadian Electrical Code, Part 1 (see Figure 10).

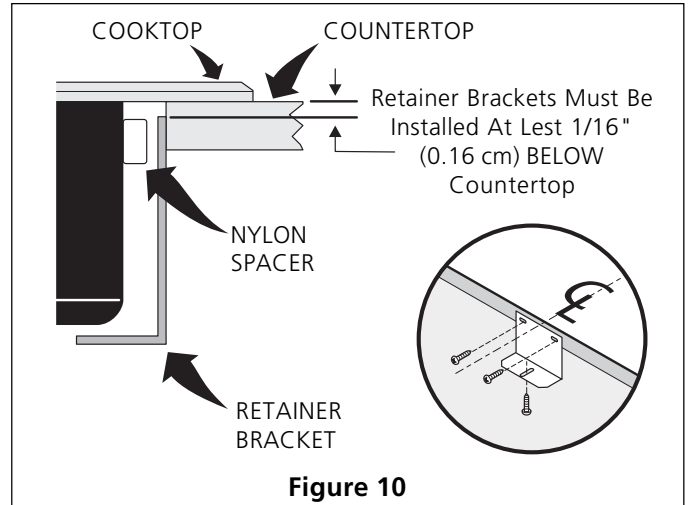


Figure 10

2. Models: 26" and 36" (36"X18") Coil Elements Cooktops

Set the cooktop into the countertop cutout. Lift the cooktop and fasten the ends of the box to the counter with wood screws (figure 11). Lower the cooktop. Align the knobs on the shafts and press down with even pressure. After setting the unit into the opening, all remaining work must be done from inside the cabinet.

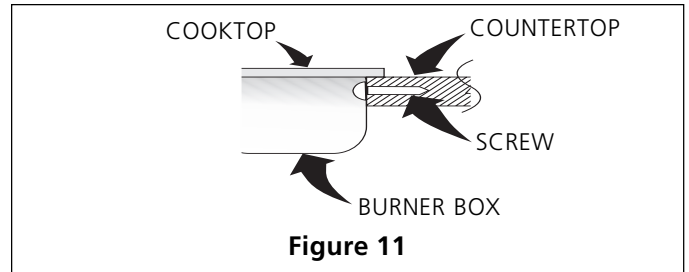


Figure 11

3. Models: 32" Coil Elements Cooktops

1. Place cooktop into countertop opening and center unit in cutout.
2. Remove all surface units and drip bowls.
3. Unit clamp down information. Once unit is installed in counter opening, you must clamp unit down as shown in figure 12.
4. Put back all surface units and drip bowls.
5. Make electrical connections as outlined in "Electrical Connection" section.

ELECTRIC COOKTOP INSTALLATION INSTRUCTIONS

Reach down through surface unit openings and install the four hold down retainers with screws as shown. Be certain cooking top is firmly retained to counter top.

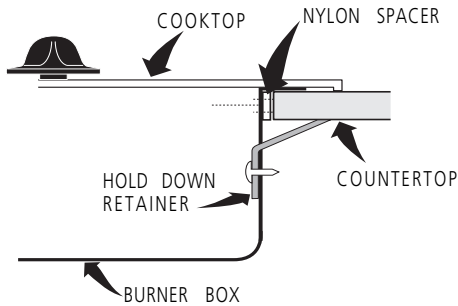


Figure 12

To clamp down, insert bracket with offset side of angle into slot on each side of unit. The tumb screw should then be run thru bracket and un against bottom of counter. Tighten until draws down.

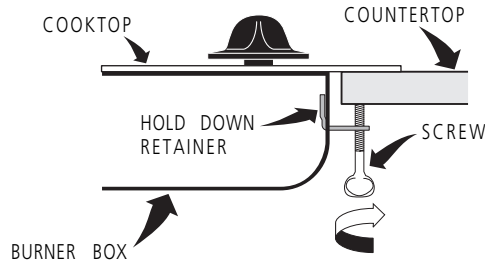


Figure 14

4. Models: 30" and 36" (36" X 21 1/2") Coil Elements Cooktops

- These cooktops are designed to fit various cutout sizes. The minimum and maximum cutout openings are shown in figure 1.
- If cooktop is to be used in new installation, use minimum cutout dimensions in figure 1.
- Attach cooktop to cabinet using wood screws through holes in vertical walls of burner box.
- **If cooktop is to be installed as a replacement in an existing countertop opening (not exceeding maximum cutout dimensions as shown in figure 1), the following steps must be taken:**
 1. Insert 4 screws and installation spacers through holes in vertical walls of burner box (see figure 13).
 2. Place cooktop into countertop opening and center unit in cutout.

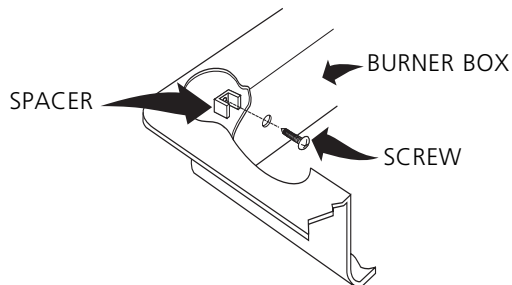


Figure 13

3. Tighten each screw finger tight or until spacers are snug against burner box walls.
4. Prior to tightening installation screws, exert downward pressure on burner box to assure flanges on burner box rest firmly on counter. Tighten all screws evenly.
5. Unit clamp down information. Once unit is installed in counter opening, you must clamp unit down as shown in figure 14.
6. Make electrical connections as outlined in "Electrical Connection" Section.

Checking Operation

Refer to the [Owner's Guide](#) for operation.

CAUTION Do not touch cooktop glass or elements. They may be hot enough to burn.

Model and Serial Number Location

The serial plate is located under the cooktop or in the burner box and can be seen by lifting up the main top of unit.

When ordering parts for or making inquiries about your cooktop, always be sure to include the model and serial numbers and a lot number or letter from the serial plate on your cooktop.

Before You Call for Service

Read the Avoid Service Checklist and operating instructions in your [Owner's Guide](#). It may save you time and expense. The list includes common occurrences that are not the result of defective workmanship or materials in this appliance.

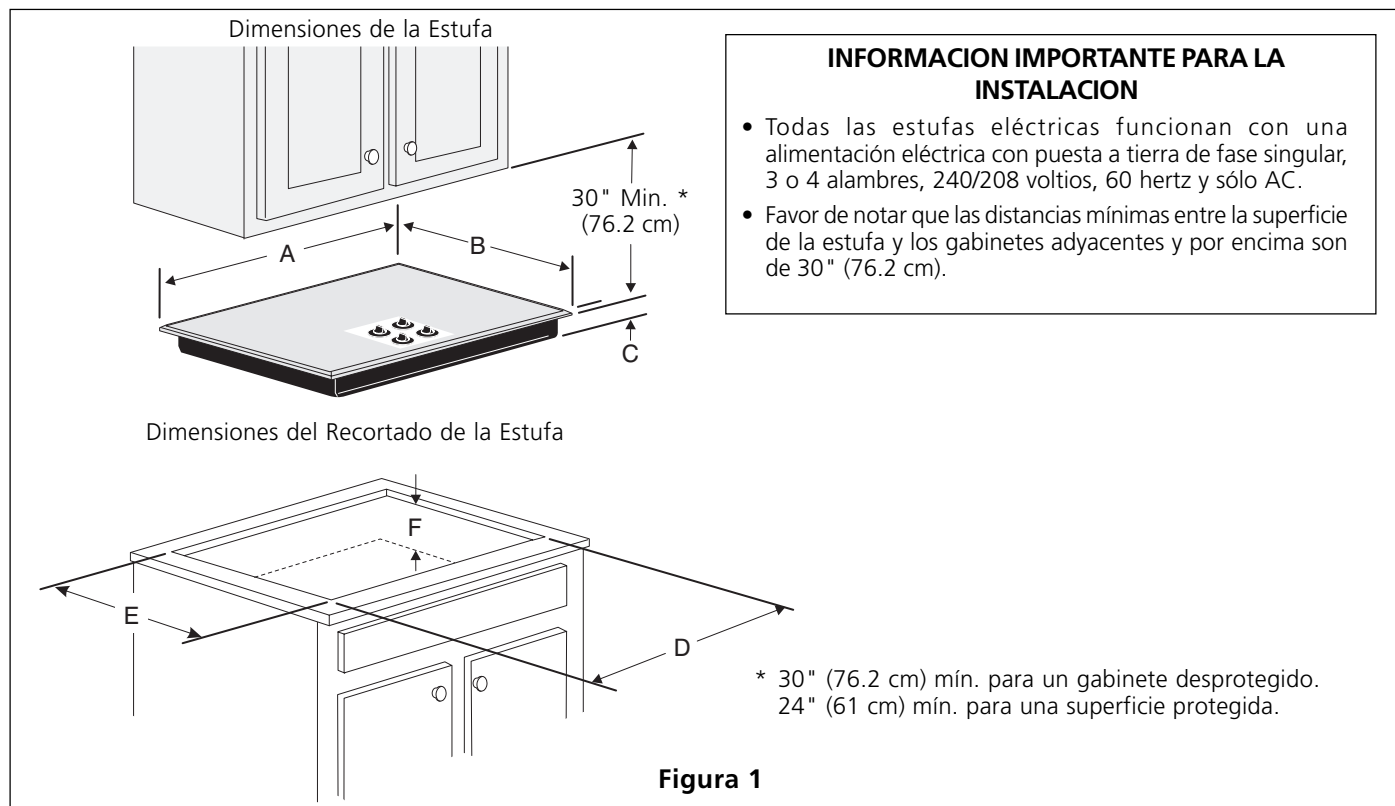
Refer to the warranty in your [Owner's Guide](#) for our service phone number and address. Please call or write if you have inquiries about your product and/or need to order parts.

INSTRUCCIONES PARA LA INSTALACION DE LA ESTUFA ELECTRICA

LA INSTALACION Y EL SERVICIO DEBEN SER EFECTUADOS POR UN INSTALADOR CALIFICADO. IMPORTANTE: GUARDE ESTAS INSTRUCCIONES PARA USO DEL INSPECTOR LOCAL DE ELECTRICIDAD.

LEA Y GUARDE ESTAS INSTRUCCIONES PARA REFERENCIA FUTURA.

ADVERTENCIA PARA SU SEGURIDAD: No almacene ni utilice gasolina u otros vapores y líquidos inflamables en la proximidad de este o de cualquier otro artefacto.



MODELO	A. LONGITUD	B. ANCHURA	C. PROFUNDIDAD	DIMENSIONES DE RECORTADO				F. PROFUNDIDAD DEBAJO DE LA ESTUFA*
				D. LONGITUD		E. ANCHURA		
				MIN.	MAX.	MIN.	MAX.	
26" Resistencias espirales	25 3/4 (65.4)	21 9/16 (54.8)	3 1/2 (8.9)	25 (63.5)	25 (63.5)	20 1/2 (52.1)	20 1/2 (52.1)	5 1/2 (14)
30" Vidrio-cerámica	30 3/4 (78.1)	21 3/8 (54.3)	3 (7.6)	29 5/8 (75.2)	29 7/8 (75.9)	20 1/4 (51.4)	20 1/2 (52.1)	5 (12.7)
30" Resistencias espirales	30 (76.2)	21 1/2 (54.6)	3 (7.6)	26 3/4 (67.9)	28 1/4 (71.8)	19 1/8 (48.6)	20 (50.8)	5 (12.7)
32" Vidrio-cerámica	32 1/4 (81.9)	20 1/4 (51.4)	3 3/4 (9.5)	31 (78.7)	31 1/4 (79.4)	19 (48.3)	19 1/4 (48.9)	5 3/4 (14.6)
32" Resistencias espirales	32 1/4 (81.9)	20 1/4 (51.4)	3 3/4 (9.5)	31 (78.7)	31 1/4 (79.4)	19 (48.3)	19 1/4 (48.9)	5 3/4 (14.6)
36" Vidrio-cerámica	36 3/4 (93.3)	21 3/8 (54.3)	3 (7.6)	35 7/8 (91.1)	36 1/8 (91.8)	20 1/4 (51.4)	20 1/2 (52)	5 (12.7)
36" Resistencias espirales (36"X18" modelo)	36 (91.4)	18 (45.7)	3 7/8 (9.8)	34 1/4 (87)	34 3/8 (87.3)	16 5/8 (42.2)	16 3/4 (42.5)	5 7/8 (14.9)
36" Resistencias espirales (36"X21 1/2" modelo)	36 (91.4)	21 1/2 (54.6)	3 (7.6)	32 3/4 (83.2)	34 1/4 (87)	19 (48.3)	20 (50.8)	5 (12.7)

Todas las dimensiones se dan en pulgadas (cm).

Solamente algunos modelos están disponibles en Canadá.

* Deje 2" (5 cm) de hueco debajo de la estufa para espacio para el cable eléctrico y la instalación de la caja de empalmes en la pared detrás de la estufa.

INSTRUCCIONES PARA LA INSTALACION DE LA ESTUFA ELECTRICA

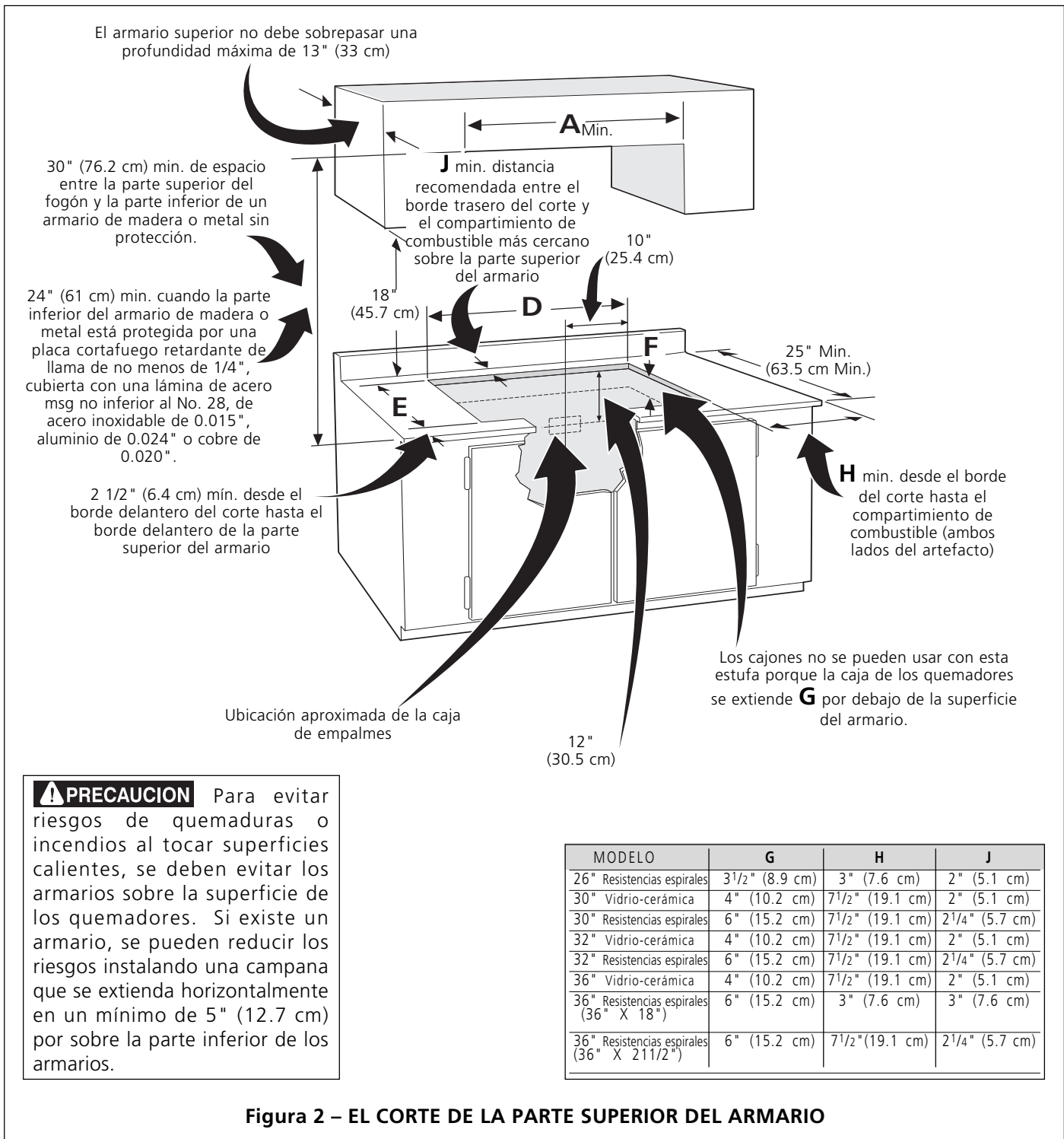


Figura 2 – EL CORTE DE LA PARTE SUPERIOR DEL ARMARIO

INSTRUCCIONES PARA LA INSTALACION DE LA ESTUFA ELECTRICA

Notas importantes para el instalador

1. Lea todas las instrucciones contenidas en este manual antes de instalar la estufa.
2. Saque todo el material usado en el embalaje de la estufa antes de conectar el suministro eléctrico a la estufa.
3. Observe todos los códigos y reglamentos pertinentes.
4. Deje estas instrucciones con el consumidor.

Nota importante al consumidor

Conserve estas instrucciones y el Manual del usuario para referencia futura.

INSTRUCCIONES IMPORTANTES DE SEGURIDAD

- **Asegúrese de que su estufa sea instalada y puesta a tierra de forma apropiada por un instalador calificado o por un técnico de servicio.**
- **Esta estufa debe ser eléctricamente puesta a tierra de acuerdo con los códigos locales o, en su ausencia, con el Código Eléctrico Nacional ANSI/NFPA No. 70 – última edición en los Estados Unidos, o el Código Eléctrico Canadiense CSA Standard C22.1, Part 1 en Canadá.**

⚠ ADVERTENCIA La alimentación eléctrica a la estufa debería apagarse mientras se hacen las conexiones de línea. El no hacerlo podría resultar en daños serios o la muerte.

Provea conexión eléctrica

Instale la caja de empalmes debajo del armario y provea un cable de 120/240 o 120/208 Voltios, AC al panel de circuitos del aparato. NO conecte la cable al panel de circuitos en este momento.

Requisitos eléctricos

Cumpla con todos los códigos en vigor y todos los reglamentos locales.

1. Para el suministro eléctrico solamente se necesita corriente con frecuencia de 60 Hz AC y fase única de 120/240 o 120/208 voltios suministrada por cable de 3 o de 4 alambres en un circuito separado con fusibles en ambos lados de la línea (se recomienda un fusible de tiempo retardado o un cortacircuitos). NO ponga un fusible en el hilo neutro. El tamaño del fusible no tiene que exceder la capacidad del circuito necesario para el electrodomestico y la cual se especifica en la placa.

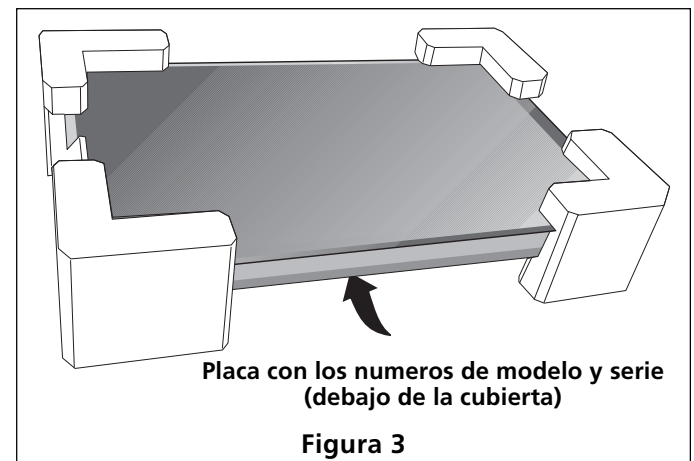
NOTA: El tamaño de los cables y de las conexiones debe de estar en conformidad con el tamaño del fusible y con la capacidad del electrodomestico y de acuerdo con el Código Eléctrico Nacional ANSI/NFPA No. 70 - última edición, o el Código Eléctrico Canadiense CSA Standard C22.1, Part 1, y los códigos y reglamentos locales.

⚠ ADVERTENCIA No se debe usar una alargadora para enchufar este electrodomestico. Esto podría resultar en un incendio, un choque eléctrico u otro tipo de daño personal.

2. Este electrodomestico debe conectarse a la caja de fusibles (o de cortacircuitos), por medio de un cable blindado flexible o un cable con forro no metálico. El cable blindado flexible que va desde el electrodomestico debe de estar conectado directamente a la caja de empalme. La caja de empalme debe de estar localizada en el lugar que se indica en la Figura 2, dejando tanto exceso de cable como sea posible entre la caja y el electrodomestico, de forma que así el electrodomestico se pueda mover fácilmente, si fuera necesario para hacer una reparación.
3. Se debe de usar un conector que reduzca la tirantez de una forma adecuada para unir el cable blindado flexible a la caja de empalme.

Instrucciones de desembalaje

(Solamente para modelos con superficies de vidrio-cerámica)



1. Deje los soportes de las esquinas en la estufa hasta la terminación de la Conexión Eléctrica.
2. Asegúrese que la botella de limpiador ubicada en la empaquete de literatura esta situada en un lugar donde puede encontrarse fácilmente. Es importante que la parte lisa en cerámico vidriado sea tratada antes de la utilización.

Conexión Eléctrica

Conecte el cable blindado flexible que se extiende desde la superficie del artefacto hasta la caja de empalmes utilizando una grapa de alivio de tensión adecuada en el punto en que el cable blindado entra en la caja de empalmes. Realizar luego la conexión eléctrica de la siguiente manera:

INSTRUCCIONES PARA LA INSTALACION DE LA ESTUFA ELECTRICA

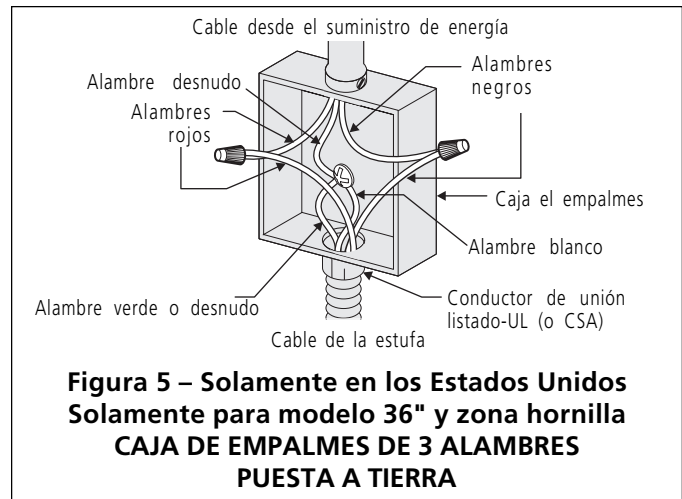
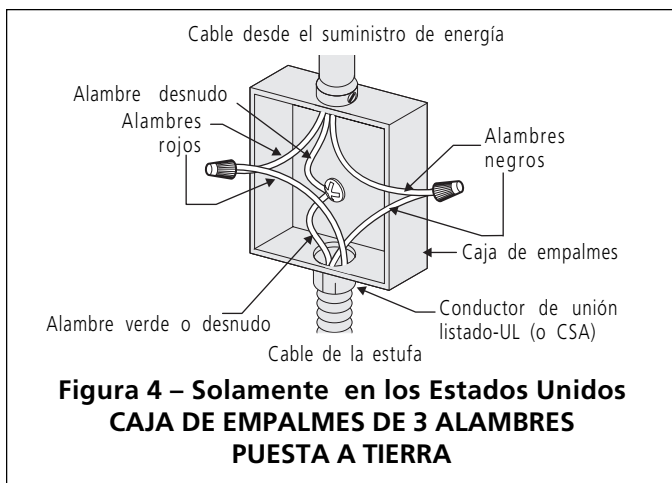
En este electrodomestico se necesita un cable de puesta a tierra.

Este electrodoméstico viene equipado con un cable de conexión de cobre. Si esto tuviera que conectarse a los cables de aluminio de una casa, use solamente los conectores especiales aprobados para empalmes de cobre y aluminio, de acuerdo con el Código Eléctrico Nacional y los reglamentos y códigos locales.

Este electrodoméstico se fabrica con un alambre de puesta a tierra verde (o de cobre sin forro) conectado con el marco.

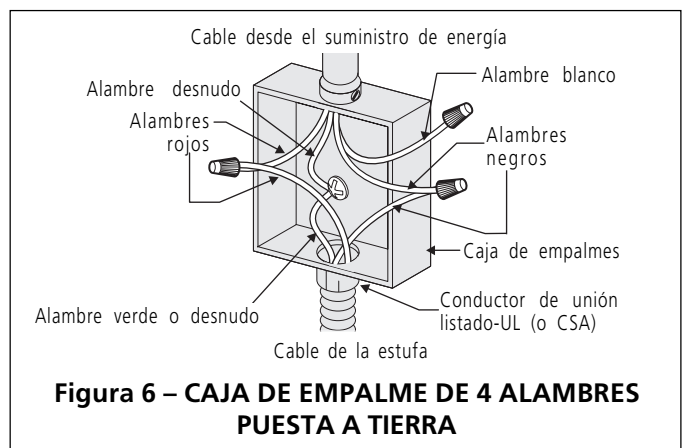
1. **Si se conecta a un cable de suministro de tres alambres (solamente en los Estados Unidos): Si los códigos locales permiten la conexión del conductor de puesta a tierra del marco al alambre neutral (blanco):** (Un cordón flexible o cable de 3 conductores debe de ser reemplazado con un cordón flexible o cable de 4 conductores donde la conexión del conductor a tierra al neutro esta prohibida en las nuevas instalaciones, las casas sobre ruedas, los vehículos de recreación o otras áreas donde los códigos locales no permiten la conexión a tierra al neutro.)

Conecte el alambre verde (o el alambre de cobre sin forro) (y alambre blanco para modelo 36" con superficies de vidrio-cerámica y zona hornilla) del cable del electrodoméstico al cable de puesta a tierra (blanco o sin forro) dentro de la caja de empalmes. Conecte los otros alambres que están dentro de la caja de empalmes (Figura 4 o 5), y que vienen desde el cable de suministro, a los alambres del cable del aparato que tienen colores correspondientes.

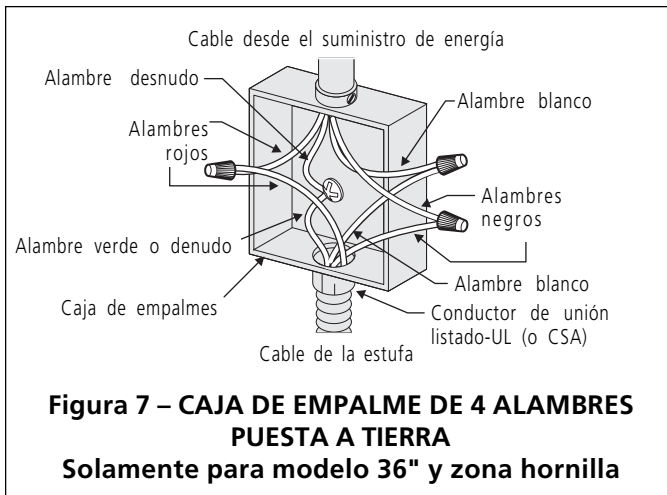


⚠ ADVERTENCIA Una conexión incorrecta del alambrado de aluminio con los conductores de cobre puede resultar en un cortacircuito o incendio. Use solamente los conectores diseñados para juntar el cobre con el aluminio y siga exactamente el procedimiento recomendado por el fabricante.

2. **Si se conecta a un cable de suministro de cuatro alambres:** La marca del aparato no debe conectarse al alambre neutral del sistema eléctrico de cuatro alambres. Conecte el alambre blanco del cable del aparato (si tiene un cable de 4 alambres) al alambre blanco del cable de suministro de energía. Ponga un aislador en el alambre blanco del cable de suministro si el aparato tiene un cable de sólo 3 alambres. Conecte los alambres del cable de suministro a los alambres de colores correspondientes del cable del aparato (Figura 6 o 7). El alambre verde (o sin forro) debe de usarse ahora para poner a tierra del electrodomestico de acuerdo con los códigos eléctricos locales. El alambre verde (o el alambre de cobre sin forro) que viene desde el cable de suministro de energía, está puesto a tierra dentro del panel de servicio de la casa.



INSTRUCCIONES PARA LA INSTALACION DE LA ESTUFA ELECTRICA

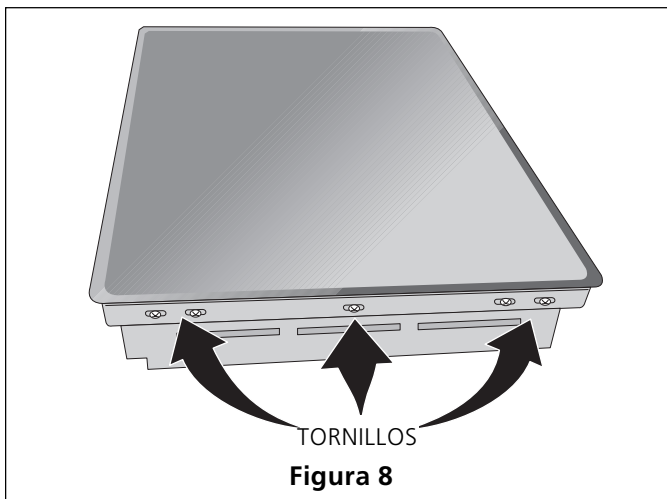


ADVERTENCIA NO conecte el alambre puesto a tierra a una tubería de suministro de gas. NO conecte el suministro de energía eléctrica hasta que el electrodomestico haya sido permanentemente puesto a tierra. Conecte el alambre de puesto a tierra antes de enchufar por primera vez el electrodomestico.

Instalación de la estufa

1. Modelos con superficies de Vidiro-cerámica

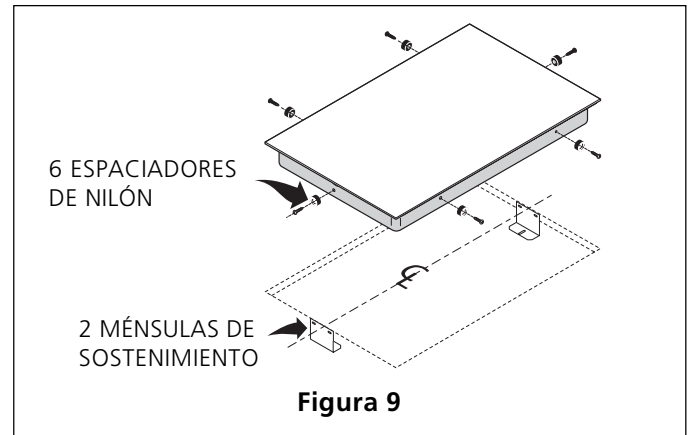
Visualmente inspeccione la estufa para daños. Verifique además que todos los tornillos de la estufa estén bien ajustados (Figura 8).



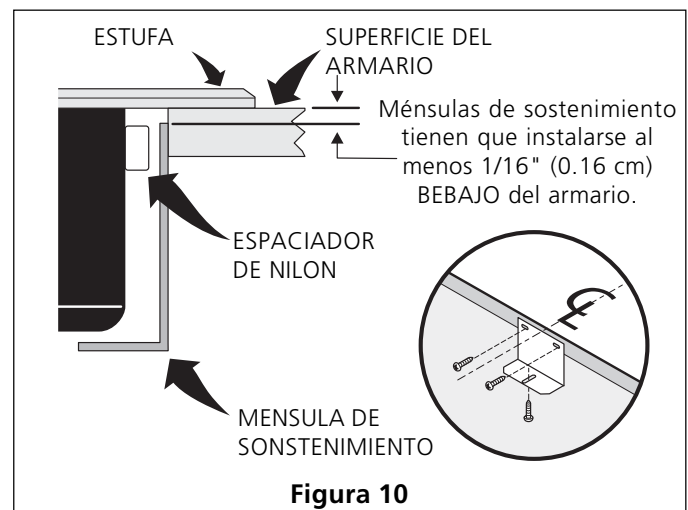
Fije la estufa en el recortado del armario.

NOTA: No utilice compuesto de retaque; la estufa debe poder retirarse para las reparaciones cuando sea necesario.

ADVERTENCIA No quite los espaciadores de nilón en los bordes de la estufa. Estos espaciadores mantienen la estufa en el centro del espacio provisto. La estufa debe estar centrado para evitar una acumulación excesiva de calor que puede resultar en daños por calor o incendio (Figura 9).



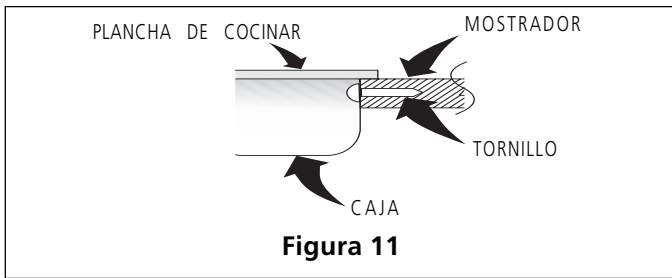
Las ménsulas de sostenimiento TIENEN QUE instalarse, a satisfacción de los códigos locales o, en su ausencia, con el Código Eléctrico Nacional ANSI/NFPA No. 70--última edición, o con la Norma CSA C22.1, Código Eléctrico Canadiense, Parte 1 (Figura 10).



2. Modelos: 26" y 36" (36"X18") con resistencias espirales

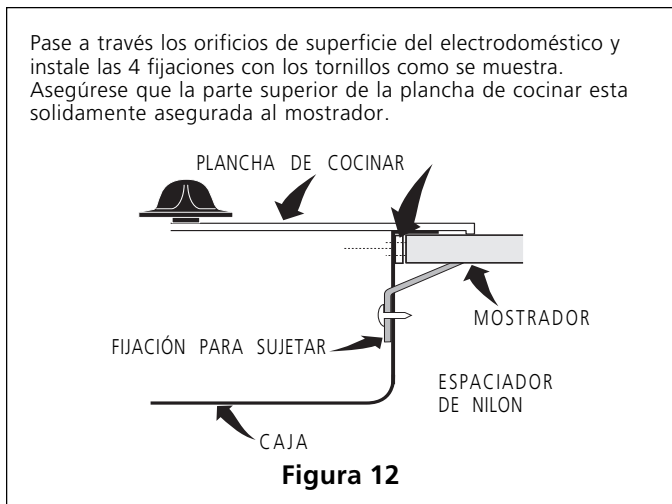
Fije la estufa en el recortado del armario. Levante la plancha de cocinar y fije ls extremidades de la caja al mostrador con clavos de rosca (figura 11). Baje la plancha de cocinar. Alinee los botones sobre los ejes y apriete en línea recta con igual presión. Después de insertar la plancha de cocinar dentro de la abertura, toda instalación restante debe realizarse al interior del armario.

INSTRUCCIONES PARA LA INSTALACION DE LA ESTUFA ELECTRICA



3. Modelos: 32" con resistencias espirales

1. Ubique la plancha de cocinar en la abertura del mostrador y centre el electrodoméstico en el hueco.
2. Retire todas las unidades de superficie y las graseras.
3. Informaciones para fijar el electrodoméstico. Una vez que el electrodoméstico está instalado en la abertura del mostrador, debe de fijarlo como se indicada en la figura 12.
4. Vuelva a poner todas las unidades de superficie y las graseras.
5. Haga las conexiones eléctricas como se indicada en la parte "Conexión eléctrica".

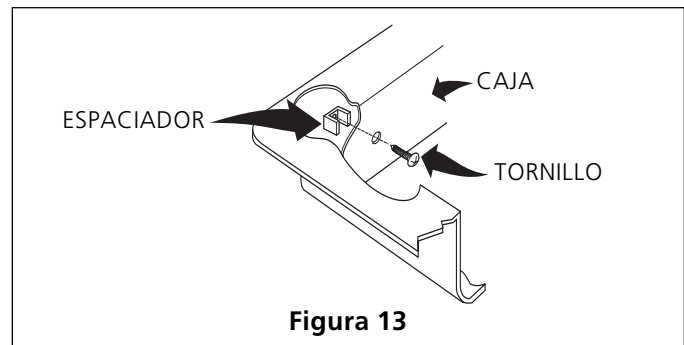


4. Modelos: 30" y 36" (36 X 21 1/2") con resistencias espirales

- La plancha para cocinar está diseñada para ajustarse a varios tamaños de cortes. El tamaño mínimo y máximo de la abertura se muestran en la figura 1.
- Si la plancha de cocinar va a ser usada en una instalación nueva, use las dimensiones mínimas que se muestran en la figura 1.

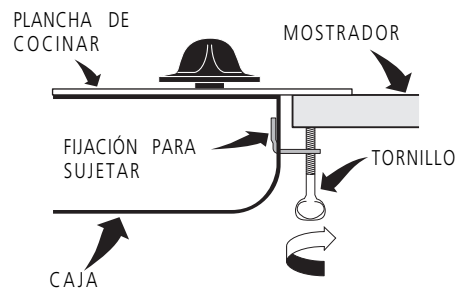
- Fije la plancha de cocinar a la mesa usando tornillos para madera a través de los huecos de las paredes verticales de la base rectangular.
- **Si la plancha de cocinar va a ser instalada en una abertura existente (que no exceda las dimensiones máximas indicadas en la figura 1), deben seguirse los siguientes pasos:**

1. Inserte 4 tornillos y espaciadores de instalación a través de las perforaciones en las paredes verticales de la base rectangular como se muestra en la figura 13.



2. Coloque y centre la plancha de cocinar entre la abertura de la mesa.
3. Apriete cada tornillo hasta que ajuste o hasta que los espaciadores ajusten contra las paredes de la base rectangular.
4. Antes de apretar los tornillos de instalación, presiones hacia abajo la base rectangular hasta asegurar que las pestañas de la base estén apoyadas firmemente.
5. Información para sujetar el aparato. Una vez que el aparato está instalado en la apertura del mostrador, se tiene que sujetar como se va a indicar en la figura 14.

Para ajustar el aparato, inserte el soporte, con el lado desviado, en la ranura en cada lado del aparato. El tornillo que se puede girar con los dedos debe entonces de pasar a través del soporte y hasta la parte de abajo del mostrador. Apriételo hasta que el aparato se quede ajustado.



6. Haga las conexiones eléctricas como se muestra en la sección "Conexión eléctrica".

INSTRUCCIONES PARA LA INSTALACION DE LA ESTUFA ELECTRICA

Revisión de operación

Consulte el [Manual del Usuario](#) para las instrucciones de funcionamiento.

⚠ PRECAUCION No toque el cristal o los elementos de la estufa. Puede que estén lo suficiente calientes para quemar.

Ubicación del número de modelo y de serie

La placa con el número de modelo y de serie está ubicada en el fondo de la estufa o en la base rectangular del quemador y puede verse al levantar la cubierta de la unidad.

Cuando haga pedidos de repuestos o solicite información con respecto a su estufa, esté siempre seguro de incluir el número de modelo y de serie y el número o letra del lote de la placa de serie de su horno.

Antes de llamar al servicio

Lea la sección Lista de Control de Averías en su [Manual del Usuario](#). Esto le podrá ahorrar tiempo y gastos. Esta lista incluye ocurrencias comunes que no son el resultado de defectos de materiales o fabricación de este artefacto.

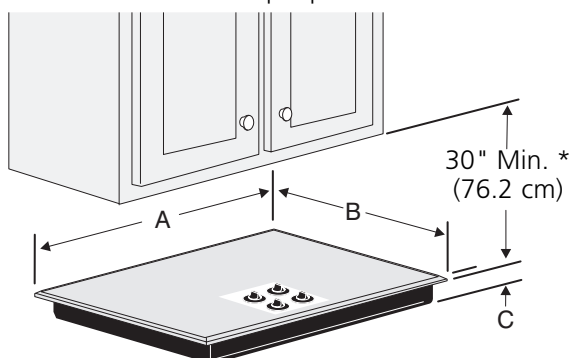
Lea la garantía y la información sobre el servicio en su [Manual del Usuario](#) para obtener el número de teléfono y la dirección del servicio. Por favor llame o escriba si tiene preguntas acerca de su estufa o necesita repuestos.

INSTRUCTIONS D'INSTALLATION POUR PLAQUE DE CUISSON ÉLECTRIQUE

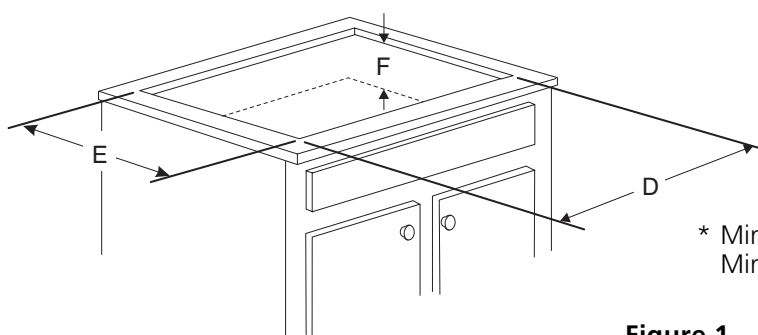
UN INSTALLATEUR QUALIFIÉ DOIT EFFECTUER L'INSTALLATION ET LE SERVICE. IMPORTANT: CONSERVEZ CES INSTRUCTIONS POUR LES INSPECTEURS LOCAUX. LISEZ CES INSTRUCTIONS ET CONSERVEZ-LES POUR RÉFÉRENCES ULTÉRIEURES.

⚠ AVERTISSEMENT POUR VOTRE SÉCURITÉ: N'entreposez et n'utilisez pas d'essence ou d'autres produits inflammables à proximité de cet appareil ou de tout autre appareil.

Dimensions de la plaque de cuisson



Dimensions de découpage pour la plaque de cuisson



INSTRUCTIONS DE SÉCURITÉ IMPORTANTES

- Toutes les plaques de cuisson électriques fonctionnent avec un câble à 3 ou 4 fils monophasé de 240/208 volts, 60 hertz CA mise à la terre seulement.
- Veuillez prendre note que la distance minimale entre la plaque de cuisson et les armoires adjacentes et en surplomb est de 30" (76.2 cm).

* Minimum de 30" (76.2 cm) pour armoire non protégée.
Minimum de 24" (61 cm) pour surface protégée.

Figure 1

MODÈLE	A. LONGUEUR	B. LARGEUR	C. PROFONDEUR	DIMENSIONS DE DÉCOUPAGE				F. PROFONDEUR SOUS LA PLAQUE DE CUISSON*
				D. LONGUEUR		E. LARGEUR		
				MIN.	MAX.	MIN.	MAX.	
26" Éléments spiraux	25 ³ / ₄ (65.4)	21 ⁹ / ₁₆ (54.8)	3 ¹ / ₂ (8.9)	25 (63.5)	25 (63.5)	20 ¹ / ₂ (52.1)	20 ¹ / ₂ (52.1)	5 ¹ / ₂ (14)
30" Vitrocéramique	30 ³ / ₄ (78.1)	21 ³ / ₈ (54.3)	3 (7.6)	29 ⁵ / ₈ (75.2)	29 ⁷ / ₈ (75.9)	20 ¹ / ₄ (51.4)	20 ¹ / ₂ (52.1)	5 (12.7)
30" Éléments spiraux	30 (76.2)	21 ¹ / ₂ (54.6)	3 (7.6)	26 ³ / ₄ (67.9)	28 ¹ / ₄ (71.8)	19 ¹ / ₈ (48.6)	20 (50.8)	5 (12.7)
32" Vitrocéramique	32 ¹ / ₄ (81.9)	20 ¹ / ₄ (51.4)	3 ³ / ₄ (9.5)	31 (78.7)	31 ¹ / ₄ (79.4)	19 (48.3)	19 ¹ / ₄ (48.9)	5 ³ / ₄ (14.6)
32" Éléments spiraux	32 ¹ / ₄ (81.9)	20 ¹ / ₄ (51.4)	3 ³ / ₄ (9.5)	31 (78.7)	31 ¹ / ₄ (79.4)	19 (48.3)	19 ¹ / ₄ (48.9)	5 ³ / ₄ (14.6)
36" Vitrocéramique	36 ³ / ₄ (93.3)	21 ³ / ₈ (54.3)	3 (7.6)	35 ⁷ / ₈ (91.1)	36 ¹ / ₈ (91.8)	20 ¹ / ₄ (51.4)	20 ¹ / ₂ (52)	5 (12.7)
36" Éléments spiraux (modèle 36"X18")	36 (91.4)	18 (45.7)	3 ⁷ / ₈ (9.8)	34 ¹ / ₄ (87)	34 ³ / ₈ (87.3)	16 ⁵ / ₈ (42.2)	16 ³ / ₄ (42.5)	5 ⁷ / ₈ (14.9)
36" Éléments spiraux (modèle 36"X21 ¹ / ₂ ")	36 (91.4)	21 ¹ / ₂ (54.6)	3 (7.6)	32 ³ / ₄ (83.2)	34 ¹ / ₄ (87)	19 (48.3)	20 (50.8)	5 (12.7)

Toutes les dimensions sont en pouces (cm).

Seulement certains modèles sont disponibles au Canada.

* Laissez un espace de 2" (5 cm) au-dessous de la plaque de cuisson pour dégager le câble et faciliter l'installation de la boîte de jonction sur le mur à l'arrière de la plaque de cuisson.

INSTRUCTIONS D'INSTALLATION POUR PLAQUE DE CUISSON ÉLECTRIQUE

L'armoire supérieure ne doit pas excéder une profondeur maximale de 13" (33 cm).

Dégagement minimum de 30" (76.2 cm) entre le haut de la surface de cuisson et la base de l'armoire en bois ou en métal non protégée.

Minimum de 24" (61 cm) lorsque la base de l'armoire en bois ou en métal est protégée par un celloderme retardateur de flammes d'un minimum de 1/8" recouvert d'une feuille de métal MSG No 28, d'acier inoxydable d'un minimum de 0,015 (0.4 mm), d'aluminium de 0,024 (0.6 mm) ou de cuivre de 0,020 (0.5 mm).

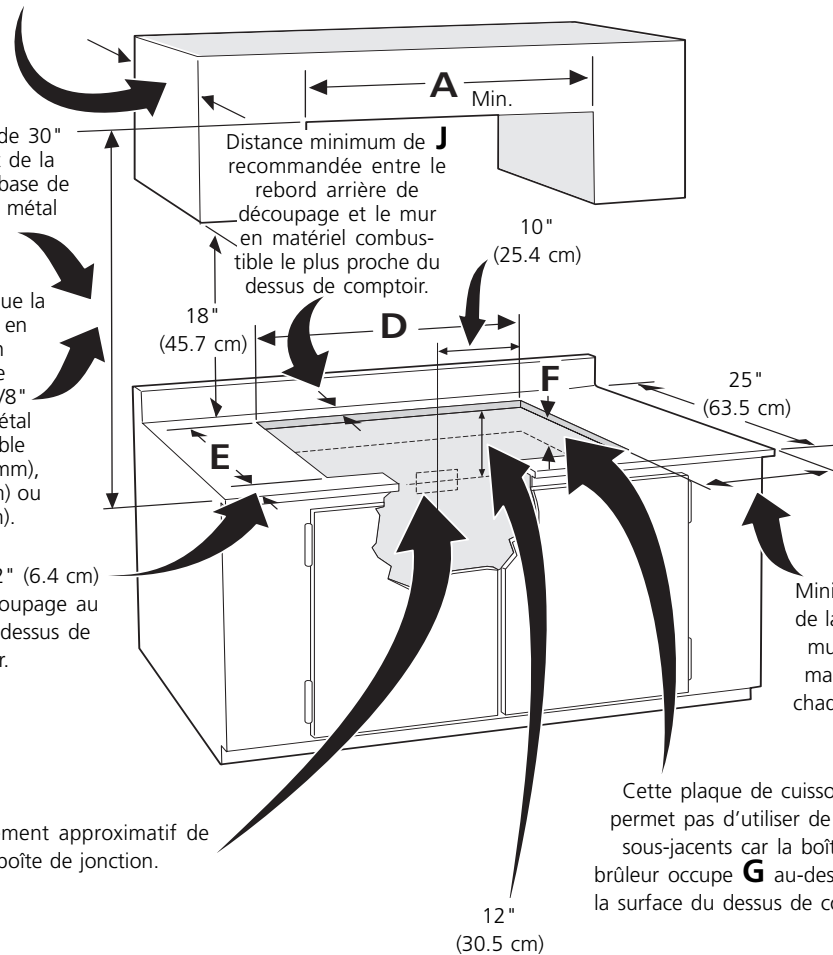
Minimum de 2-1/2" (6.4 cm) du rebord de découpage au rebord avant du dessus de comptoir.

Emplacement approximatif de la boîte de jonction.

Distance minimum de **J** recommandée entre le rebord arrière de découpage et le mur en matériel combustible le plus proche du dessus de comptoir.

Minimum de **H** du rebord de la plaque de cuisson au mur en matériel inflammable le plus proche (de chaque côté de l'appareil).

Cette plaque de cuisson ne permet pas d'utiliser de tiroirs sous-jacents car la boîte de brûleur occupe **G** au-dessous de la surface du dessus de comptoir.



* Les lettres sur cette figure réfèrent aux valeurs du tableau de la page précédente excepté pour **G**, **H** et **J**.

⚠ AVERTISSEMENT

Pour éliminer les risques de brûlures ou de feu en allongeant le bras au-dessus des surfaces de cuisson chaudes, évitez d'installer des armoires au-dessus de la plaque de cuisson. Si vous devez en installer, il est possible de réduire le risque en plaçant une hotte pour cuisinière qui excède horizontalement d'un minimum de 5" (12.7 cm) la base de l'armoire.

MODEL	G	H	J
26" Éléments spiraux	3 1/2" (8.9 cm)	3" (7.6 cm)	2" (5.1 cm)
30" Vitrocéramique	4" (10.2 cm)	7 1/2" (19.1 cm)	2" (5.1 cm)
30" Éléments spiraux	6" (15.2 cm)	7 1/2" (19.1 cm)	2 1/4" (5.7 cm)
32" Vitrocéramique	4" (10.2 cm)	7 1/2" (19.1 cm)	2" (5.1 cm)
32" Éléments spiraux	6" (15.2 cm)	7 1/2" (19.1 cm)	2 1/4" (5.7 cm)
36" Vitrocéramique	4" (10.2 cm)	7 1/2" (19.1 cm)	2" (5.1 cm)
36" Éléments spiraux (36" X 18")	6" (15.2 cm)	3" (7.6 cm)	3" (7.6 cm)
36" Éléments spiraux (36" X 21 1/2")	6" (15.2 cm)	7 1/2" (19.1 cm)	2 1/4" (5.7 cm)

Figure 2 – OUVERTURE DU DÉCOUPAGE DE DESSUS DU COMPTOIR

INSTRUCTIONS D'INSTALLATION POUR PLAQUE DE CUISSON ÉLECTRIQUE

Installateur

1. Lisez toutes ces instructions avant de procéder à l'installation de la plaque de cuisson.
2. Enlevez tout le matériel d'emballage avant de procéder au raccordement électrique.
3. Observez tous les codes et règlements applicables.
4. Assurez-vous de laisser ces instructions au consommateur.

Consommateur

Conservez ces instructions avec votre [Guide de l'utilisateur](#) pour références futures.

DIRECTIVES IMPORTANTES DE SÉCURITÉ

- Assurez-vous que votre plaque de cuisson est installée et mise à la terre correctement par un installateur ou un technicien de service qualifié.
- Cette plaque de cuisson doit être mise à la terre conformément aux codes locaux d'électricité ou, en leurs absences, en conformité avec le National Electrical Code ANSI/NFPA No. 70, dernière édition aux États Unis, ou avec la norme ACNOR C22.1, Partie 1 au Canada.

⚠ AVERTISSEMENT Il faut couper l'alimentation électrique durant le branchement des connexions électriques. A défaut de ce faire il peut en résulter des blessures graves ou la mort.

Connexion électrique

Installez la boîte de jonction sous l'armoire et installez un câble de 120/240 ou 120/208 Volts, AC au panneau de distribution à la plaque de cuisson. Ne branchez pas encore le câble au panneau de circuits.

Exigences électriques

Observez tous les règlements et les codes locaux applicables.

1. Un câble électrique à 3 ou 4 fils de 120/240 ou 120/208 Volts monophasé, 60 Hz CA est requis sur un circuit séparé muni d'un fusible sur chaque fil conducteur (fusible temporisé ou disjoncteur recommandé). NE RELIEZ pas de fusible au neutre. La capacité du fusible ne doit pas excéder la capacité nominale du circuit de l'appareil spécifiée sur la plaque signalétique.

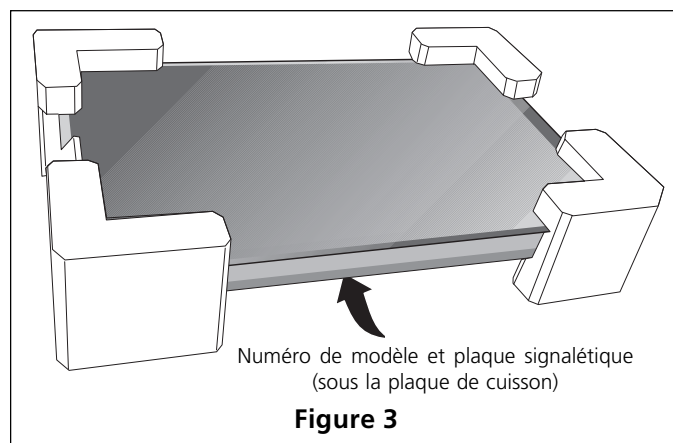
NOTE: Le calibre des fils et leurs connexions doivent être conformes à la capacité des fusibles et à la capacité nominale de l'appareil, selon le National Electrical Code ANSI/NFPA No. 70, dernière édition, ou avec la norme ACNOR C22,1, Partie 1, du Code canadien d'électricité et les codes et les règlements locaux.

⚠ AVERTISSEMENT N'utilisez pas de rallonge électrique avec cette appareil. Son utilisation peut causer un feu, un choc électrique ou des blessures corporelles.

2. Il faut brancher l'appareil au panneau de distribution en utilisant des câbles flexibles à gaine métallique ou non métallique. On doit brancher directement à la boîte de jonction le câble gainé flexible de l'appareil. Il faut installer la boîte de jonction tel qu'illustré à la Figure 2 en laissant autant de lâche que possible dans le câble entre la boîte et l'appareil, pour en faciliter le déplacement si l'entretien s'avère nécessaire.
3. Une longueur de câble suffisante doit être prévue pour permettre une connexion du câble gainé flexible à la boîte de jonction.

Instructions de déballage

(Modèles vitrocéramiques seulement)



1. N'enlevez pas les coins mousse d'expédition de la plaque de cuisson avant d'avoir terminé la connexion électrique.
2. Assurez-vous de laisser à vue d'oeil la bouteille de nettoyeur conditionneur qui se trouve dans l'enveloppe de littérature. Il est important que la surface vitrocéramique lisse soit prétraitée avant d'être utilisée.

Connexions électriques

Branchez le câble flexible armé de l'appareil à la boîte de jonction à l'aide d'une bague anti-traction appropriée à l'endroit où le câble armé pénètre dans la boîte de jonction. Procédez alors comme suit avec la connexion électrique.

La mise à la terre de cet appareil est obligatoire.

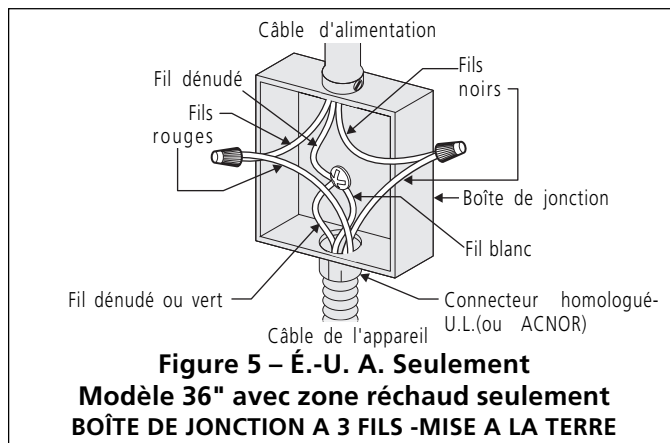
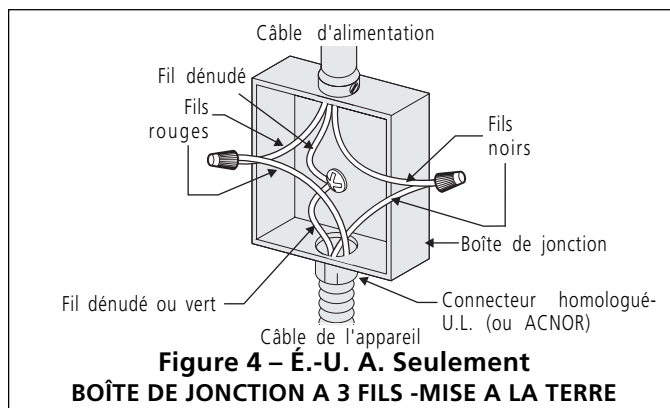
INSTRUCTIONS D'INSTALLATION POUR PLAQUE DE CUISSON ÉLECTRIQUE

Cet appareil est muni d'un câble conducteur flexible avec fils en cuivre. Si la connexion est faite à un filage résidentiel en aluminium, utilisez seulement des connecteurs spéciaux approuvés pour le raccord de fils en cuivre et à des fils en aluminium conformément au code national d'électricité et aux codes et ordonnances locaux.

Cet appareil est fabriqué avec un câble d'alimentation possédant un fil de mise à la terre vert (ou de cuivre dénudé) relié au châssis.

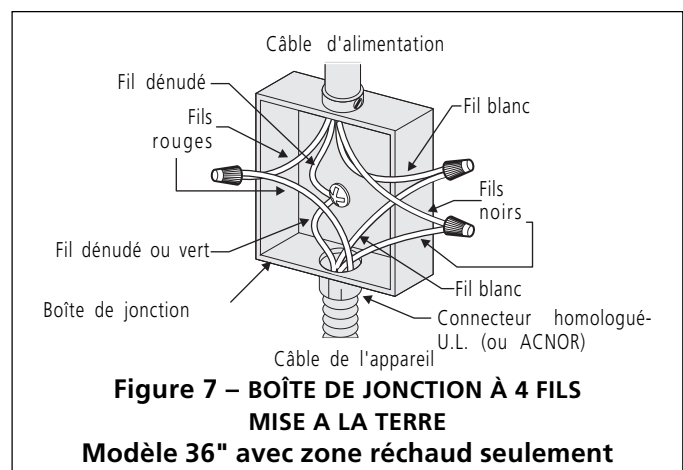
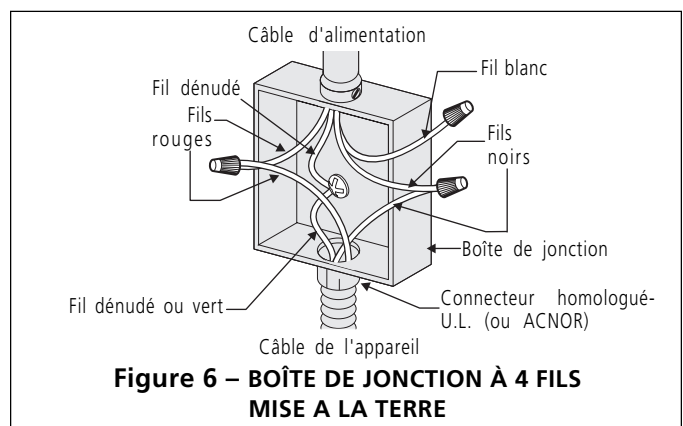
- 1. Pour une connexion à un câble d'alimentation à trois fils (États-Unis seulement): Si les codes locaux permettent la connexion du fil de mise à la terre du châssis au neutre (blanc):** (Le cordon ou câble d'alimentation à 3-conducteurs doit être remplacé par un cordon ou un câble à 4-conducteurs où la mise à la terre du châssis au fil blanc est interdite, soit dans les nouvelles installations, les maisons mobiles, les véhicules récréatifs ou à d'autres endroits où les codes locaux interdisent la mise à la terre au moyen d'un conducteur neutre.)

Raccordez le fil vert (ou de cuivre dénudé) (et le fil blanc pour le modèle 36" avec zone réchaud) du câble de l'appareil au fil de mise à la terre du câble d'alimentation (blanc ou dénudé) à l'intérieur de la boîte de jonction. Raccordez les autres fils à l'intérieur de la boîte de jonction (voir figure 4 ou 5) du câble d'alimentation à ceux du câble de l'appareil en joignant les fils de même couleur.



⚠ AVERTISSEMENT La connexion inappropriée d'un circuit résidentiel en aluminium à des fils en cuivre peut entraîner un court-circuit ou un feu. N'utilisez que des connecteurs conçus pour joindre des fils en cuivre à ceux en aluminium, en suivant bien attentivement les directives recommandées par le fabricant.

- 2. Pour une connexion à un câble d'alimentation à quatre fils:** Raccordez le fil blanc du câble de l'appareil (si le câble fourni avec l'appareil comprend 4 fils) au fil blanc du câble d'alimentation. Protégez l'extrémité exposée du fil blanc du câble d'alimentation avec un marette si un câble à 3 fils est fourni avec l'appareil. Raccordez les fils du câble d'alimentation avec les fils de couleur identique du câble de l'appareil (voir figure 6 ou 7). Le fil vert (ou dénudé) de l'appareil doit être utilisé pour la mise à la terre en accord avec les normes électriques locales applicables. Le fil vert (ou de cuivre dénudé) du câble d'alimentation est mis à la terre à l'intérieur de la boîte d'entrée électrique de la maison.



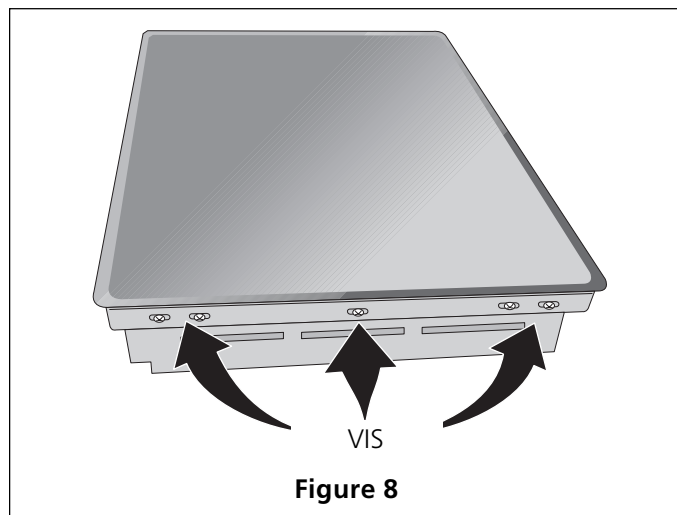
⚠ AVERTISSEMENT NE PAS utiliser un tuyau à gaz pour la mise à la terre. NE PAS raccorder l'appareil tant que sa mise à la terre n'est pas complétée. Raccordez les fils de mise à la terre avant de mettre l'appareil sous tension électrique.

INSTRUCTIONS D'INSTALLATION POUR PLAQUE DE CUISSON ÉLECTRIQUE

Installation de la plaque de cuisson

1. Toutes les plaques de cuisson vitrocéramiques:

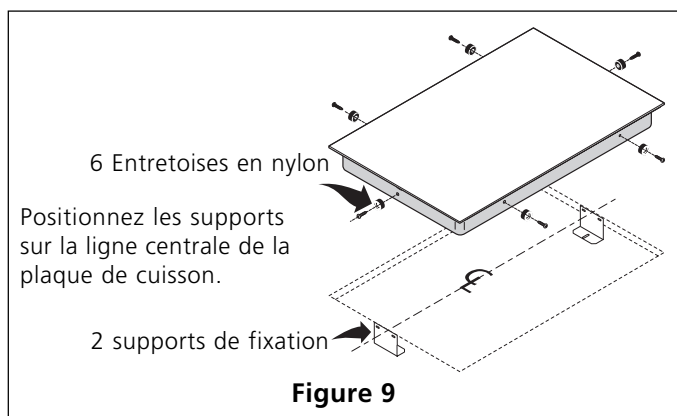
Vérifiez si la plaque de cuisson est endommagée. Veuillez également à ce que toutes les vis de la plaque de cuisson soient bien serrées (Figure 8).



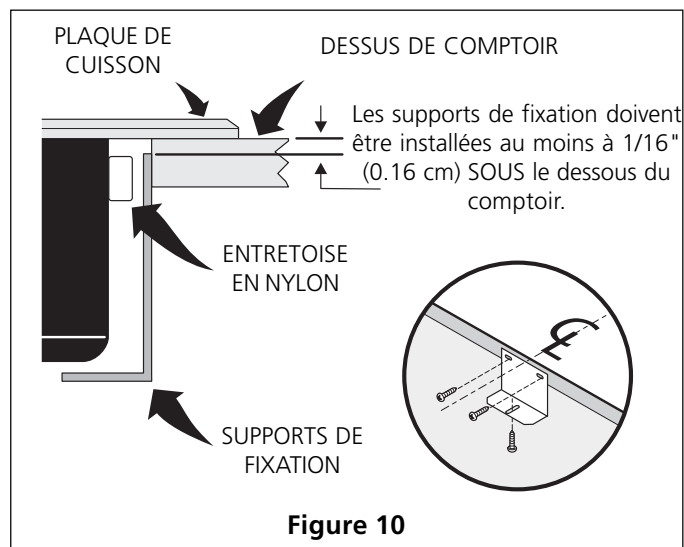
Insérez la plaque de cuisson dans la découpe de dessus de comptoir.

NOTA: N'utilisez pas de pâte à calfeutrage; on doit pouvoir déplacer la plaque de cuisson si l'entretien s'avère nécessaire.

AVERTISSEMENT N'enlevez pas les entretoises en nylon sur les rebords de la plaque de cuisson. Ces entretoises centrent la plaque de cuisson dans l'espace fourni à cet effet. La plaque de cuisson doit être centrée pour empêcher l'accumulation d'excès de chaleur pouvant entraîner des dommages par la chaleur ou le feu (voir Figure 9).

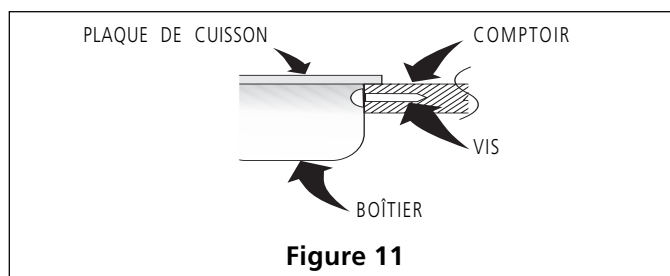


Les supports de fixation **DOIVENT** être installés conformément aux codes locaux ou, en leur absence, en conformité avec le National Electrical Code ANSI/NFPA No. 70, dernière édition, ou le Code Electrique canadien norme ACNOR C22.1, Partie 1 (Figure 10).



2. Modèles de plaque de cuisson 26" et 36" (36" X 18") avec éléments spiraux:

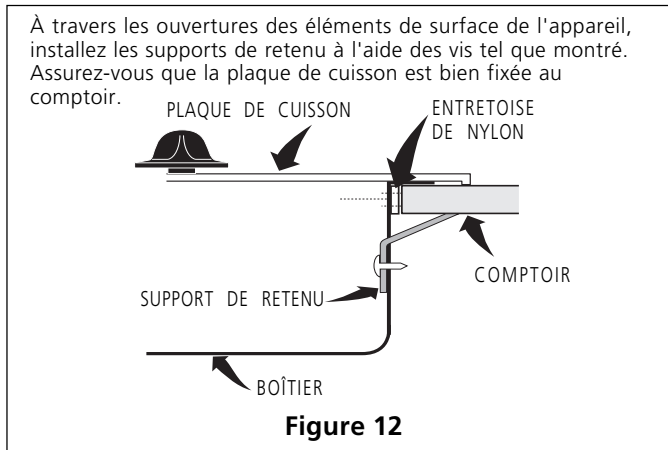
Placez l'appareil dans l'ouverture du comptoir. Soulevez la plaque de cuisson et fixez les bouts de celle-ci au comptoir à l'aide de vis à bois (figure 11). Abaissez l'appareil. Placez les boutons de commande sur les arbres et pressez vers le bas. Après avoir complété cette étape, la suite de l'installation se fait par l'intérieur du cabinet.



INSTRUCTIONS D'INSTALLATION POUR PLAQUE DE CUISSON ÉLECTRIQUE

3. Modèles de plaque de cuisson 32" avec éléments spiraux:

1. Placez l'appareil dans l'ouverture du comptoir et centrez l'unité dans l'ouverture.
2. Enlevez tous les éléments ainsi que les cuvettes.
3. Une fois l'unité installée dans l'ouverture, vous devez la fixer tel que montré à la figure 12.
4. Remplacez les cuvettes et les éléments à leur place.
5. Faites les raccordements électriques tel qu'indiqué à la section "Connexions électriques".

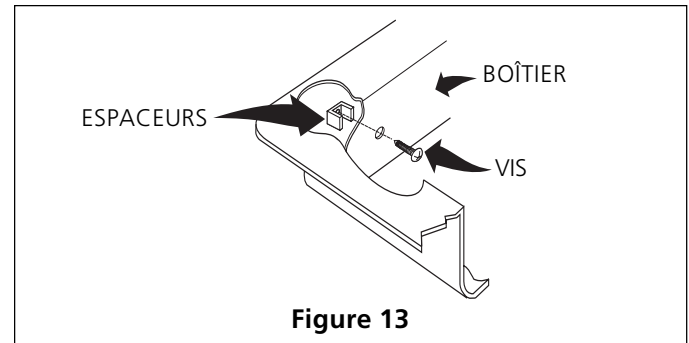


4. Modèles de plaque de cuisson 30" et 36" (36" X 21 1/2") avec éléments spiraux:

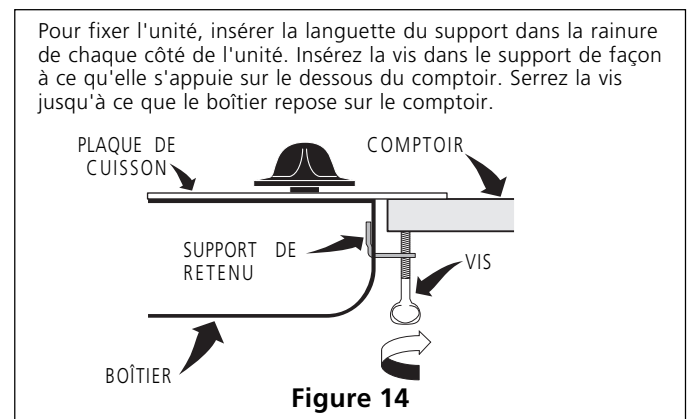
- Ces plaques de cuisson peuvent être installées dans diverses grandeurs d'ouverture. Les dimensions minimum et maximum d'ouverture sont indiquées à la figure 1.
- Lors d'une nouvelle installation, utilisez les dimensions minimum d'ouverture indiquées à la figure 1.
- Attachez le boîtier de la plaque de cuisson au comptoir à l'aide de vis à bois.

- Lors d'une installation dans une ouverture déjà existante (mais n'excédant pas les dimensions maximales de la figure 1) les étapes suivantes doivent être suivies:

1. Insérez les 4 vis et espaceurs d'installation à travers les trous dans les murs verticaux du boîtier tel que montré à la figure 13.



2. Placez l'appareil dans l'ouverture du comptoir et centrez l'unité dans l'ouverture.
3. Serrez les vis à la main ou jusqu'à ce que les espaceurs soient bien appuyés contre les murs du boîtier.
4. Avant de serrer les vis d'installation, exercez une pression vers le bas sur le boîtier pour s'assurer que les bords reposent bien sur le comptoir. Serrez les vis uniformément.
5. Une fois l'unité installée dans l'ouverture, vous devez la fixer tel que montré à la figure 14.



6. Faites les raccordements électriques tel qu'indiqué à la section "Connexions électriques".

INSTRUCTIONS D'INSTALLATION POUR PLAQUE DE CUISSON ÉLECTRIQUE

Vérification de fonctionnement

Référez-vous au [Guide de l'utilisateur](#) pour le mode de fonctionnement.

N e **⚠ MISE EN GARDE** touchez pas à la vitre de la plaque de cuisson ou aux éléments. Ils peuvent être suffisamment chauds pour causer des brûlures.

Emplacement du numéro de modèle et de série

La plaque signalétique est située sous la plaque de cuisson ou dans le boîtier et est visible lorsque la plaque de cuisson est relevée.

Pour toute commande de pièces ou demande de renseignements, au sujet de votre plaque de cuisson, assurez-vous de toujours inclure le numéro de modèle et de série, ainsi que le numéro ou lettre de lot de la plaque signalétique de votre plaque de cuisson.

Avant d'appeler le service d'entretien

Consultez la liste des vérifications préventives et les instructions d'opération dans votre [Guide de l'utilisateur](#). Vous sauverez probablement du temps et de l'argent. La liste contient les incidents ordinaires ne résultant pas de défauts dans le matériel ou la fabrication de cet appareil.

Pour obtenir nos adresses et numéros de téléphone référez-vous à la garantie et aux renseignements sur les services d'entretien dans votre [Guide de l'utilisateur](#). Prière de nous téléphoner ou de nous écrire pour toute demande d'information au sujet de votre appareil et/ou si vous désirez commander des pièces.