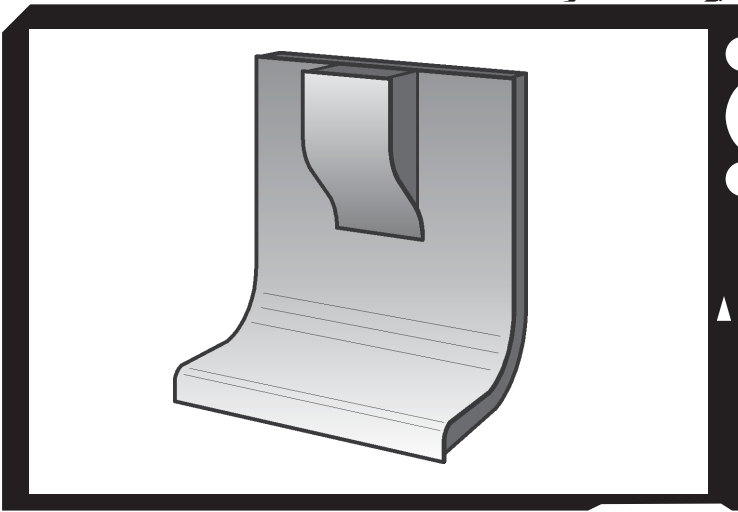


**best**<sup>®</sup>  
by **BROAN**<sup>®</sup>

---



# Model WM24I

ENGLISH.....	3
FRANÇAIS.....	15
ESPAÑOL.....	27



# READ AND SAVE THESE INSTRUCTIONS

 **INTENDED FOR DOMESTIC COOKING ONLY** 

## **WARNING**

**TO REDUCE THE RISK OF FIRE, ELECTRIC SHOCK, OR INJURY TO PERSONS, OBSERVE THE FOLLOWING:**

1. Use this unit only in the manner intended by the manufacturer. If you have any questions, contact the manufacturer at the address or telephone number listed in the warranty.
2. Before servicing or cleaning unit, switch off power at service panel and lock panel to prevent power from being switched on accidentally. When the service disconnecting means cannot be locked, securely fasten a prominent warning device, such as a tag, to the service panel.
3. Installation work and electrical wiring must be done by qualified person(s) in accordance with all applicable codes and standards, including fire-rated construction.
4. Sufficient air is needed for power combustion and exhausting of gases through the flue (chimney) of fuel burning equipment to prevent backdrafting. Follow the heating equipment manufacturer's guideline and safety standards such as those published by the National Fire Protection Association (NFPA), and the American Society for Heating, Refrigeration and Air Conditioning Engineers (ASHRAE), and the local code authorities.
5. When cutting or drilling into wall or ceiling, do not damage electrical wiring and other hidden utilities.
6. Ducted fans must always be vented to the outdoors.
7. Do not use this unit with any separate solid-state speed control device.
8. To reduce the risk of fire, use only metal ductwork.
9. This unit must be grounded.

**TO REDUCE THE RISK OF A RANGE TOP GREASE FIRE:**

- A. Never leave surface units unattended at high settings. Boilovers cause smoking and greasy spillovers that may ignite. Heat oils slowly on low or medium settings.
- B. Always turn hood ON when cooking at high heat or when flambeing food (i.e. Crepes Suzette, Cherries Jubilee, Peppercorn Beef Flambe').
- C. Clean ventilating fans frequently. Grease should not be allowed to accumulate on fan or filter.
- D. Use proper pan size. Always use cookware appropriate for the size of the surface element.

## **WARNING**

**TO REDUCE THE RISK OF INJURY TO PERSONS IN THE EVENT OF A RANGE TOP FIRE, OBSERVE THE FOLLOWING:\***

1. **SMOTHER FLAMES** with a close-fitting lid, cookie sheet, or metal tray, then turn off the burner. **BE CAREFUL TO PREVENT BURNS.** If the flames do not go out immediately, **EVACUATE AND CALL THE FIRE DEPARTMENT.**
2. **NEVER PICK UP A FLAMING PAN** - You may be burned.
3. **DO NOT USE WATER**, including wet dishcloths or towels - a violent steam explosion will result.
4. Use an extinguisher **ONLY** if:
  - A. You know you have a Class ABC extinguisher, and you already know how to operate it.
  - B. The fire is small and contained in the area where it started.
  - C. The fire department is being called.
  - D. You can fight the fire with your back to an exit.

\* Based on "Kitchen Fire Safety Tips" published by NFPA.

## CAUTION

---

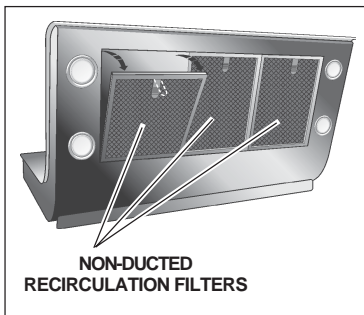
1. To reduce risk of fire and to properly exhaust air, be sure to duct air outside. Do not vent exhaust air into spaces within walls or ceilings or into attics, crawl spaces, or garages.
2. Take care when using cleaning agents or detergents.
3. Avoid using food products that produce flames under the Range Hood.
4. For general ventilating use only. Do not use to exhaust hazardous or explosive materials and vapors.
5. To avoid motor bearing damage and noisy and/or unbalanced impellers, keep drywall spray, construction dust, etc. off power unit.
6. Your hood motor has a thermal overload which will automatically shut off the motor if it becomes overheated. The motor will restart when it cools down. If the motor continues to shut off and restart, have the hood serviced.
7. For best capture of cooking impurities, the bottom of the hood should be a minimum of 23-5/8" and a maximum of 30" above the cooking surface.
8. Three installers are recommended because of the large size and weight of this hood.
9. This product is equipped with a thermostat which may start blower automatically. To reduce the risk of injury and to prevent power from being switched on accidentally, switch power off at service panel and lock or tag service panel.
10. Use with approved cord-connection kit only.
11. Please read specification label on product for further information and requirements.

## NON-DUCTED RECIRCULATION FILTERS INSTALLATION

---

### *Non-ducted Recirculation*

1. Purchase a non-ducted recirculation filters (B03300502) from your dealer.
2. Install the filters: push the filter against the spring and rotate it up.



## MAINTENANCE

---

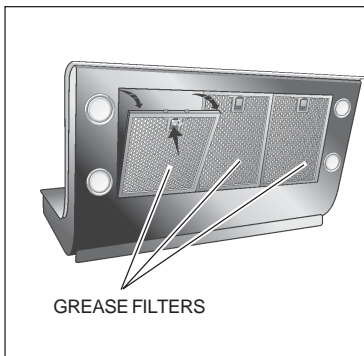
Proper maintenance of the Range Hood will assure proper performance of the unit.

### *Grease Filters*

The **grease filters** must be cleaned approximately once every 30 hours of operation (when the icon D1 goes on).

Use a warm detergent solution. Grease filters is dishwasher safe.

Remove the filters: pull the handle outside and unlock the filter.



### *Non-ducted Recirculation Filters*

The non-ducted recirculation filters should be changed whenever the icon D10 starts blinking (i.e. every 120 hours of operation).

To remove the filters, pushing them against the spring and rotating down.

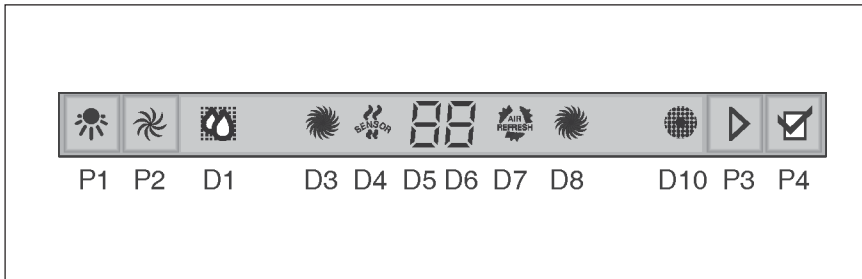
### *Hood Cleaning*

Cleaning tips:

- Warm water with mild detergent is all that is usually needed.
- Follow all cleaning by rinsing with clear water. Wipe dry with a clean, soft cloth to avoid water marks.
- **DO NOT** allow deposits to remain for long periods of time.
- **DO NOT** use ordinary steel wool or steel brushes.
- **DO NOT** allow salt solutions, disinfectants, bleaches, or cleaning compounds to remain in contact for extended periods. Many of these compounds contain chemicals which may be harmful. Rinse with water after exposure and wipe dry with a clean cloth.

## OPERATION

---



### **Controls**

Push button P1: LIGHTS. Push the button once to turn the lights ON - push a second time to turn the lights ON to a brighter level - push a third time to turn the lights OFF.

Push button P2: MOTOR: Switch on and off the motor. Switch on the motor to the latest used speed and if pressed different times changes the speed in a cyclic way (1,2,3,4,1,2.....) The speed set is visualized by the icon D5 and simultaneously the icon D8 switches on ( the speed of the rotational movement is proportional to the speed ). To the maximum speed the icon D8 switches off and the icon D3 switches on.

To switch off the motor, press the push button P2 for about 2 seconds (the set speed is memorized).

Push button P3: Switch on and off the functions D4(SENSOR) and/or D7 (Air Refresh).

Push button P4: Reset grease filters and non-ducted recirculation filters.

Icon D1: GREASE FILTERS. It switches on when the grease filter must be cleaned (after about 30 hours of working). One time the grease filters is cleaned, to make the hours calculation start again, press the push button P4.

Icon D3 : MAXIMUM SPEED. Is activated only when the maximum speed is set.

Icon D4: SENSOR: To activate the sensor function, press the push button P3. To disconnect the sensor, repeat the same operation. When the sensor activated, the hood switches on automatically in the presence of any kinds of odours or vapours, smokes or heat, caused by the cooking process and also in the presence of possible and anomalous gas emissions in environment.

Icons D5 and D6: DISPLAY. Shows the set speed. Shows the sensor sensitivity.

Icon D7: AIR REFRESH: To start the function Air refresh, press the button P3 (the icon goes on);

To disconnect the function Air refresh, repeat the same operation. The function Air Refresh activates only if the motor is not working. Starting the function Air Refresh, the hood recycles the air in the environment in perfect silence, starting every 50 minutes (for 10 minutes, at the first speed).

Icon D8 : ENGINE ON. The icon switches on when the engine is at the first, second or third speed. To the fourth speed, the icon switches off and the icon starts working to the maximum speed (icon D3).

Icon D10: NON -DUCTED RECIRCULATION FILTERS (For the non-ducted recirculation hood). It switches on when it is time to replace the non-ducted recirculation filters (after about 120 working hours). One time the non-ducted recirculation filters is replaced, to make the hours calculation start again press the button P4.

Modification of sensor sensitivity:

Simultaneously press push button P3 and P4 (the sensor's sensitivity index will appear on the display D5); press the push button P3 to change the sensor's sensitivity (1 : minimum sensitivity / 9: maximum sensitivity). Press the push button P4 to confirm (or is confirmed automatically after 5 seconds).

## HEAT SENTRY™

Your hood is equipped with a HEAT SENTRY™ thermostat. This thermostat is a device that will turn on or speed up the blower if it senses excessive heat above the cooking surface.

- 1) If blower is OFF - it turns blower ON to HIGH speed.
  - 2) If blower is ON at a lower speed setting - it turns blower up to HIGH speed.
- When the temperature level drops to normal, the blower will return to its original setting.

## WARNING

The HEAT SENTRY thermostat can start the blower even if the hood is turned OFF. When this occurs, it is impossible to turn the blower OFF with its switch. If you must stop the blower, do it from the main electrical panel.

## HALOGEN BULBS

This range hood requires four halogen bulbs (Type T3, 12Volt, 20Watt Max, G-4 Base).

**⚠ WARNING: Always switch off the electrical supply before carrying out any operation on the appliance.**

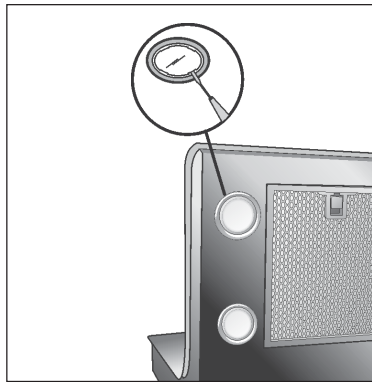
To change bulbs:

1. Open the cover by prying from the proper slots.
2. Remove the bulb by pulling sideways. (DO NOT ROTATE).

**⚠ CAUTION: Bulb may be hot.**

3. Replace with Type T3, 12Volt, 20 Watt Max, G-4 Base halogen bulb. Do not touch replacement bulb with bare hands!

**⚠ CAUTION: Use of bulbs greater than 20 watts will cause the fuse to open.**



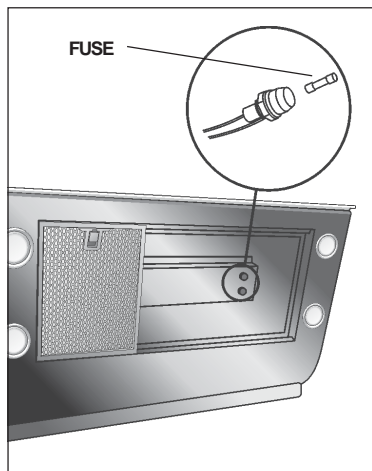
## FUSE REPLACEMENT

**IF LIGHTS FAIL TO OPERATE, DISCONNECT POWER AT THE SERVICE ENTRANCE. CHECK THE FUSE AND REPLACE IF NECESSARY.**

1. Remove the grease filters.
2. Unscrew the cap from the fuse holder and remove the fuse.
3. Replace the fuse with the same size and amperage (5 x 20mm, 4 amp, 125 volt).

**⚠ CAUTION: Use a fuse greater than 4 amps may damage the transformer.**

4. Reinstall the fuse holder cap.
5. Reconnect power at the service entrance.

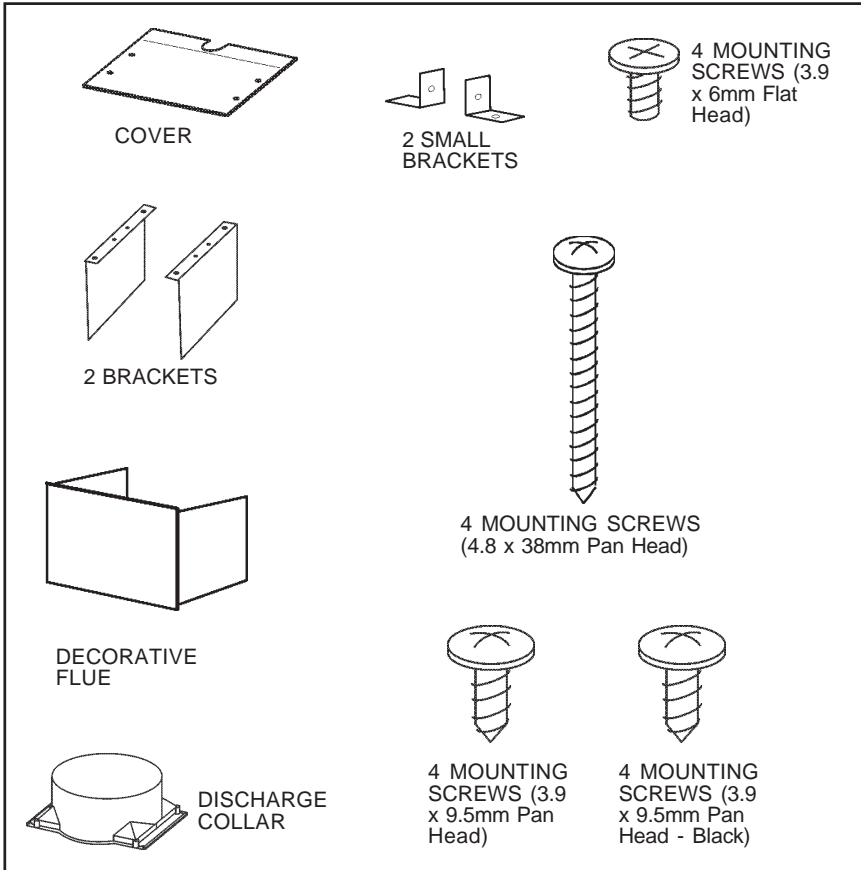


# PREPARE THE HOOD

Unpack hood and check contents.

You should receive:

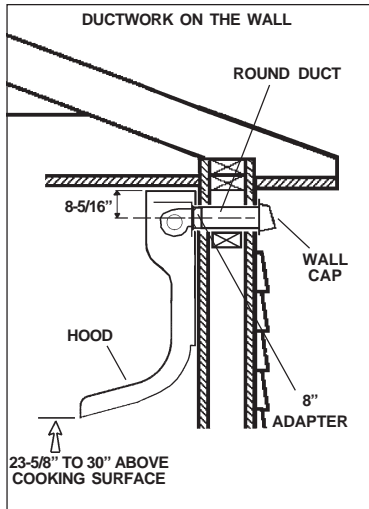
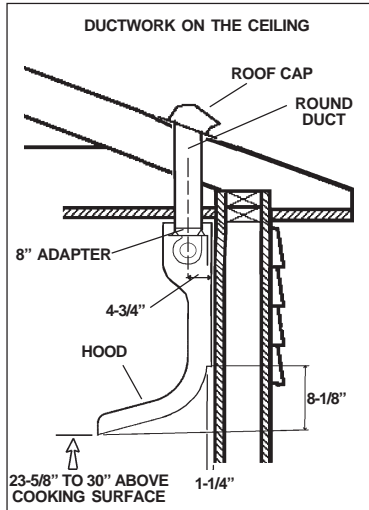
- 1 - Hood
- 1 - Decorative Flue
- 1 - Parts Bag (B080810765) containing:
  - 1 - Cover
  - 4 - Mounting Screws (4.8 x 38mm Pan Head)
  - 4 - Mounting Screws (3.9 x 6mm Flat Head)
  - 2 - Brackets
- 1 - Parts Bag (B080810621) containing:
  - 1 - Discharge Collar
  - 4 - Mounting Screws (3.9 x 9.5mm Pan Head)
  - 4 - Mounting Screws (3.9 x 9.5mm Pan Head - Black)
  - 2 - Small Brackets
- 1 - Installation Instructions
- 1 - Warranty Card



# INSTALL THE DUCTWORK (DUCTED HOODS ONLY)

**⚠ WARNING:** To reduce the risk of fire, use only metal ductwork.

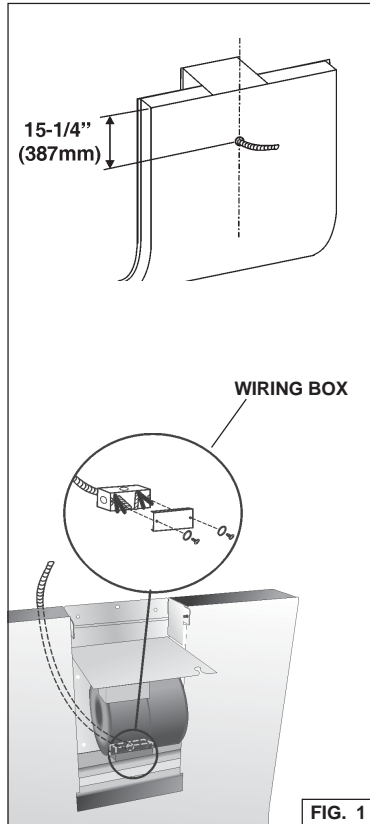
1. Decide where the ductwork will run between the hood and the outside.
2. A straight, short duct run will allow the hood to perform most efficiently.
3. Long duct runs, elbows, and transitions will reduce the performance of the hood. Use as few of them as possible. Larger ducting may be required for best performance with longer duct runs.
4. Install a roof or wall cap. Connect round metal ductwork to cap and work back towards hood location. Use duct tape to seal the joints between ductwork sections.



## INSTALL ELECTRICAL

**⚠ WARNING :** Electrical wiring must be done by a qualified person(s) in accordance with all applicable codes and standards. This range hood must be properly grounded. Turn off electrical power at service entrance before wiring.

1. Remove the **wiring box cover**. Remove a knockout from the wiring box.
2. Secure the conduit to the wiring box through a conduit connector.
3. Make electrical connections. Connect white to white, black to black and green to green.
4. Replace wiring box cover and screws. Make sure that wires are not pinched between cover and box.



## PREPARE THE HOOD

**Note:** Carefully remove the plastic protective film from all exterior surfaces of the hood and decorative flue, prior to final installation.

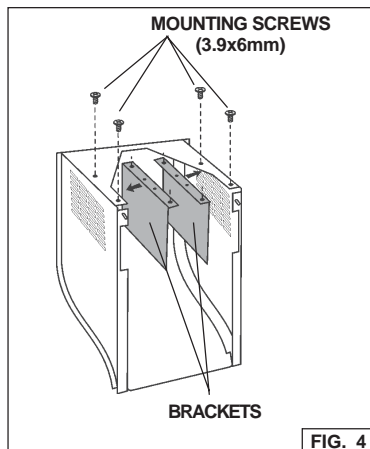
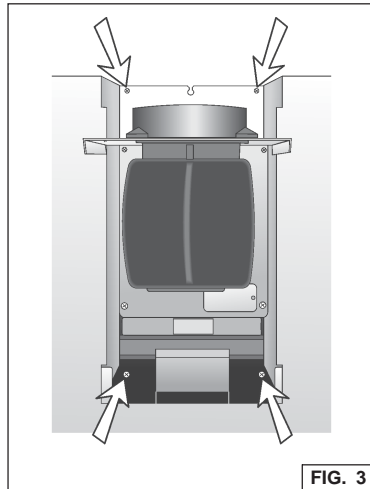
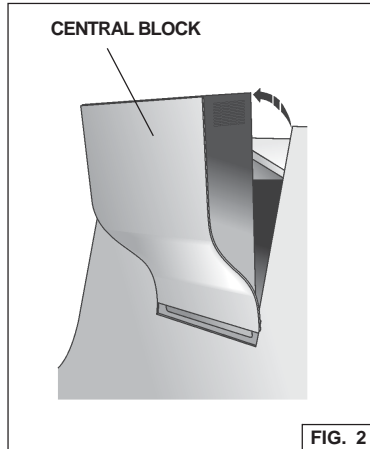
To avoid damage while forwarding the appliance has been locked by means of four screws to a laminboard panel on the bottom of the packing.

To separate the hood from the panel:

- a. Disassemble the central block: rotate the block outside softly (Fig. 2).
- b. Remove the 4 screws (Fig. 3).

### **Ducted configuration**

1. Fit the 2 brackets on the central block in such a way that the two slots are plugged. Each bracket must be fixed with (2) 3.9 x 6 mm mounting screws (Fig. 4).
2. Attach the discharge collar onto the hood (Fig. 5); it must be attached by means of 4 mounting screws (3,9x9,5 mm Pan Head).
3. Remove the tape located on the damper (Fig. 5).
4. Attach an adequate length of 8" round steel ducting to the range hood discharge collar (Fig. 6). Duct tape all joints to make them secure and air tight.
5. **If the ductwork is placed on the wall** (and not on the ceiling), read the following instructions:
  - disassemble the motor block (included the plate where it is fixed) unscrewing the 4 screws (Fig. 7).
  - rotate motor block in order to have the duct connector toward the wall.
  - use the same screws to fix the motor block in the new position (Fig. 8).



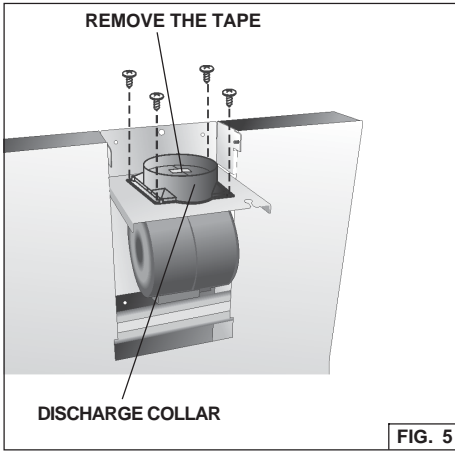


FIG. 5

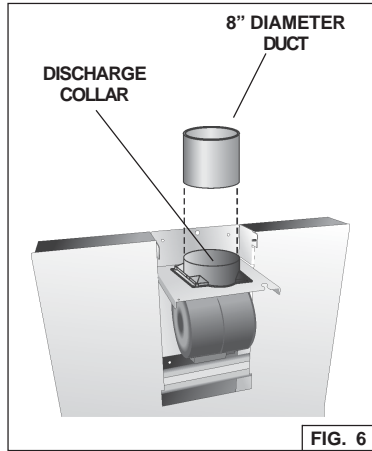


FIG. 6

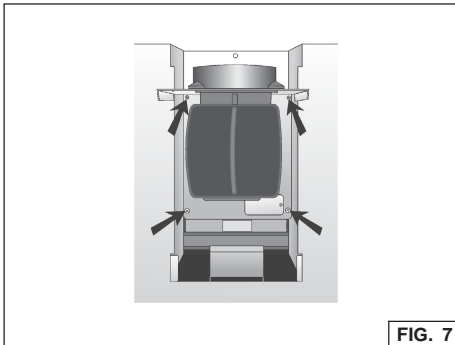


FIG. 7

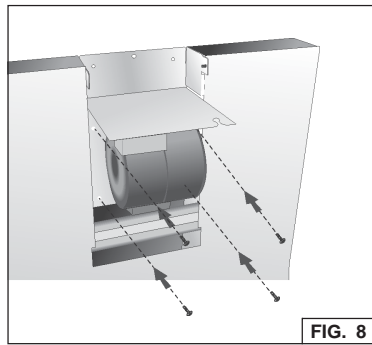


FIG. 8

**Ductfree configuration**

Assemble the issued cover using 4 mounting screws (3.9x6mm) - Fig. 9.

**Ducted and Non-ducted configuration**

For 9' or 10' ceilings, mount the the (2) small brackets of the decorative flue with (2) mounting screws (3.9x9.5mm - Black). Fig.10

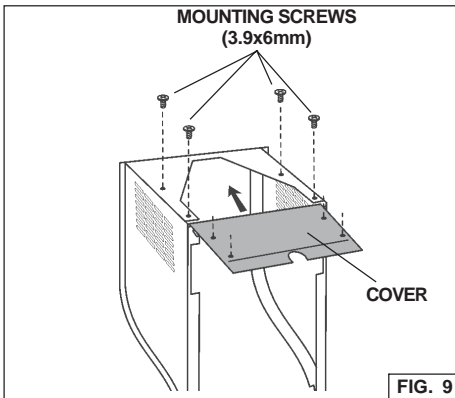


FIG. 9

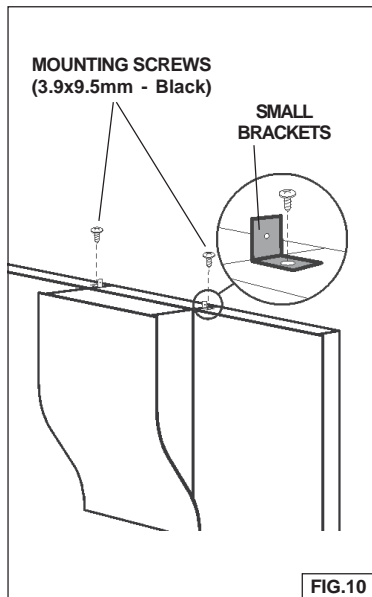
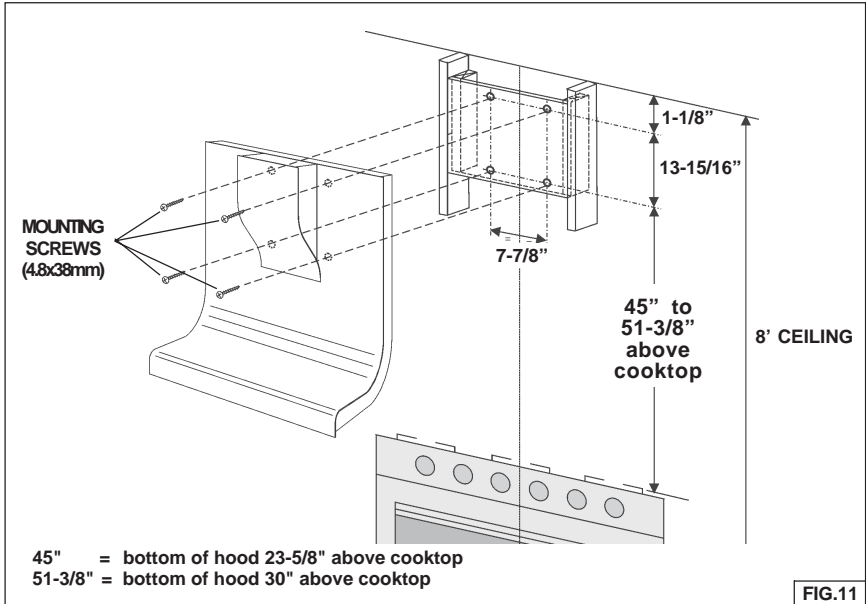


FIG. 10

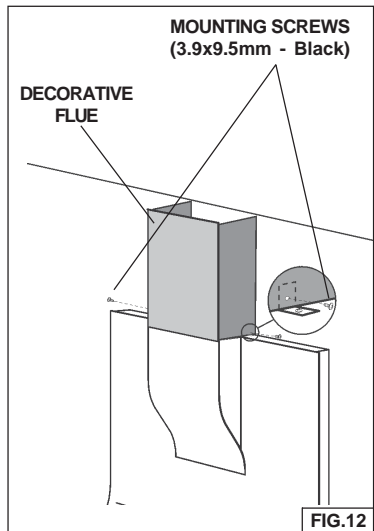
# INSTALL THE HOOD

Note: at least 3 people will be required to mount the hood.

1. Make on the wall 4 holes (D. 8mm), according to the measures indicated in the Fig. 11.



2. Secure the hood with (4) mounting screws (4.8x38mm).
3. Make the electrical connection (see "Install Electrical").
4. Reassemble the central block.
5. For 9' or 10' ceilings, mount the decorative flue. For 9' ceilings, the decorative flue is supplied. For 10' ceilings, purchase a decorative FLUE KIT from your dealer. Secure the flue with (2) mounting screws (3.9x9.5mm - Black). Fig. 12.



# WARRANTY

---

## **BROAN ONE YEAR LIMITED WARRANTY**

Broan warrants to the original consumer purchaser of its products that such products will be free from defects in materials or workmanship for a period of one year from the date of original purchase. THERE ARE NO OTHER WARRANTIES, EXPRESS OR IMPLIED, INCLUDING, BUT NOT LIMITED TO, IMPLIED WARRANTIES OR MERCHANTABILITY OR FITNESS FOR A PARTICULAR PURPOSE.

During this one-year period, Broan will, at its option, repair or replace, without charge, any product or part which is found to be defective under normal use and service.

**THIS WARRANTY DOES NOT EXTEND TO FLUORESCENT LAMP STARTERS, TUBES, HALOGEN AND INCANDESCENT BULBS.** This warranty does not cover (a) normal maintenance and service or (b) any products or parts which have been subject to misuse, negligence, accident, improper maintenance or repair (other than by Broan), faulty installation or installation contrary to recommended installation instructions.

The duration of any implied warranty is limited to the one-year period as specified for the express warranty. Some states do not allow limitation on how long an implied warranty lasts, so the above limitation may not apply to you.

**BROAN'S OBLIGATION TO REPAIR OR REPLACE, AT BROAN'S OPTION, SHALL BE THE PURCHASER'S SOLE AND EXCLUSIVE REMEDY UNDER THIS WARRANTY. BROAN SHALL NOT BE LIABLE FOR INCIDENTAL, CONSEQUENTIAL OR SPECIAL DAMAGES ARISING OUT OF OR IN CONNECTION WITH PRODUCT USE OR PERFORMANCE.** Some states do not allow the exclusion or limitation of incidental or consequential damages, so the above limitation or exclusion may not apply to you.

This warranty gives you specific legal rights, and you may also have other rights, which vary from state to state. This warranty supersedes all prior warranties.

To qualify for warranty service, you must (a) notify Broan at the address stated below or telephone: 1-800-637-1453, (b) give the model number and part identification and (c) describe the nature of any defect in the product or part. At the time of requesting warranty service, you must present evidence of the original purchase date.

**BEST BY BROAN, P.O. Box 140 Hartford, Wisconsin 53027**

# LISEZ ET CONSERVEZ CES INSTRUCTIONS

 **SEULEMENT POUR UTILISATION DOMESTIQUE** 

## **AVERTISSEMENTS**

**POUR REDUIRE LES RISQUES D'INCENDIE, DE DECHARGES ELECTRIQUES OU DE DOMMAGES AUX PERSONNES, OBSERVEZ LES INSTRUCTIONS SUIVANTES:**

1. N'utilisez cet appareil que comme cela est indiqué par le constructeur. Si vous avez des problèmes, contactez le fabricant à l'adresse ou au numéro de téléphone indiqués dans la garantie.
2. Avant de pourvoir à l'entretien ou au nettoyage de votre appareil, éteignez-le au tableau des commandes ou bloquez le tableau des commandes afin d'éviter de le mettre en marche accidentellement. Si vous ne pouvez pas bloquer le système permettant d'éteindre votre appareil, appliquez un avertissement extérieur d'une façon sûre, comme par exemple un panneau, sur le tableau des commandes.
3. L'assemblage et la connexion électrique doivent être faits par des personnes qualifiées en respectant les normes et règlements en vigueur, y compris les normes et règlements concernant les possibilités d'incendie.
4. Il est indispensable qu'il y ait suffisamment d'air pour que la combustion et l'évacuation des gaz à travers le tuyau du brûleur du combustible ait lieu sans retour de flamme. Suivez les indications données par le fabricant du brûleur ainsi que les normes de sécurité comme celles qui sont publiées par l'Association Nationale pour la Protection contre les Incendies National Fire Protection Association (NFPA) et la American Society for Heating, Refrigeration and Air Conditioning Engineers (ASHRAE), et les autorités locales en matière de normes.
5. Quand vous coupez ou percez des trous dans le mur ou le plafond, n'abîmez pas les fils électriques ou autres.
6. Le ventilateur canalisé doit toujours évacuer l'air vers l'extérieur.
7. N'utilisez pas cet appareil avec un appareil contrôlant la vitesse à état solide.
8. Afin de diminuer tout risque d'incendie n'utilisez que des conduits en métal.
9. Votre appareil doit être relié à la terre.

**ATTENTION - POUR REDUIRE LES RISQUES D'INCENDIE DES MATIERES GRASSES QUI SONT EN TRAIN DE CUIRE:**

- A. Ne laissez jamais ni vos éléments chauffants, ni vos casseroles ou poêles sur le feu sans les contrôler si vous réglez l'apport de chaleur sur une position élevée. Si vos casseroles ou poêles débordent cela provoque de la vapeur et des éclaboussures de graisse qui peuvent prendre feu. Chauffez les huiles lentement à feu bas ou moyen.
- B. Faites toujours fonctionner votre hotte quand vous cuisez à des températures élevées ou quand vous cuisinez des plats flambés. (par ex. crêpes Suzette, Cerises "Jubilé", Steak au poivre flambé).
- C. Nettoyez régulièrement les ailes de vos ventilateurs. Ne permettez pas que la graisse s'accumule sur le ventilateur ou sur le filtre.
- D. Utilisez des casseroles de taille appropriée. Utilisez toujours des ustensiles de cuisson dont la taille est appropriée à la surface de votre élément de cuisson.

## **AVERTISSEMENTS**

**POUR REDUIRE LES RISQUES DE DOMMAGES AUX PERSONNES AU CAS OÙ VOTRE CUISINIÈRE PRENDRAIT FEU, OBSERVEZ LES INSTRUCTIONS SUIVANTES:\***

1. **ETEINDRE LES FLAMMES** à l'aide d'un couvercle le plus hermétique possible, une plaque à gâteaux, ou un plateau en métal, puis éteindre le brûleur. **ATTENTION à NE PAS VOUS BRÛLER.** Si les flammes ne s'éteignent pas immédiatement, **SORTEZ ET APPELEZ LES POMPIERS.**
2. **NE PRENEZ JAMAIS EN MAIN UNE POÊLE OU UNE CASSEROLE QUI A PRIS FEU** - Vous pourriez vous brûler.
3. **N'UTILISEZ PAS D'EAU,** ni torchons ou serviettes mouillés - vous provoqueriez une violente explosion de vapeur.

4. Utilisez un extincteur SEULEMENT si:
    - A. Vous savez que vous avez un extincteur Classe ABC, et vous en connaissez déjà le mode d'emploi.
    - B. Ce n'est pas un très gros incendie et qu'il se limite à l'endroit où il a explosé.
    - C. Vous êtes en train d'avertir les pompiers.
    - D. Vous avez la possibilité d'essayer d'éteindre l'incendie en ayant le dos tourné vers une issue.
- \* D'après les "Suggestions concernant la Sécurité contre les incendies des cuisines" publiées par NFPA.



## **ATTENTION**

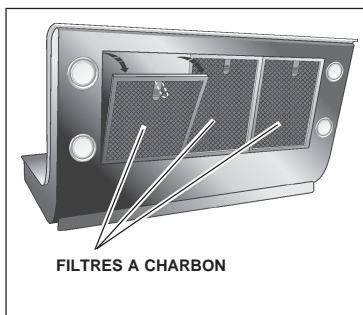
---

1. Pour réduire tout risque d'incendie et pour évacuer correctement l'air, assurez-vous de prévoir un conduit de ventilation extérieur. Ne videz pas l'air dans les espaces limités par des murs ou des plafonds, les combles, les passages étroits ou les garages.
2. Faites très attention quand vous utilisez des produits de nettoyage ou des détergents.
3. Évitez d'utiliser des aliments pouvant s'enflammer sous la Range Hood.
4. N'utilisez cet appareil que pour une ventilation générale. Ne l'utilisez pas pour évacuer des matières ou des vapeurs dangereuses ou qui peuvent exploser.
5. Pour éviter de causer des dommages au moteur et de rendre les rotors bruyants et/ou non équilibrés, évitez que les sprays pour murs secs, la poussière de construction entrent en contact avec la partie électrique.
6. Le moteur de votre hotte a un thermostat qui éteindra automatiquement le moteur s'il est surchauffé. Le moteur se remettra en marche lorsqu'il se sera refroidi. Si le moteur continue à s'éteindre et à se remettre en marche, faites vérifier votre hotte.
7. Pour mieux capturer les impuretés de cuisine, le bas de votre hotte devrait être à une distance minimum de 23-5/8" et à une distance maximum de 30" au-dessus du plan de cuisson.
8. Vu que cette hotte est grande et lourde, il est recommandé de confier l'installation de cette hotte à 3 personnes.
9. Ce produit est doté d'un thermostat qui active automatiquement le moteur. Pour réduire le risque de dommages et éviter l'activation accidentelle, positionner l'interrupteur du panneau de service sur la position OFF et bloquer le panneau de service ou mettre un avertissement externe, par exemple une plaquette.
10. Utiliser uniquement avec un kit de connexion pour alimentation homologué.
11. Nous vous recommandons de lire l'étiquette indiquant les caractéristiques de votre hotte pour de plus amples informations et exigences.

## ASSEMBLAGE DES FILTRES A CHARBON

### *Modèles recyclant l'air*

1. Procurez-vous les filtres à charbon (B03300502) chez votre fournisseur.
2. Installer les filtres: pousser le filtre contre le ressort et le tourner vers le haut.

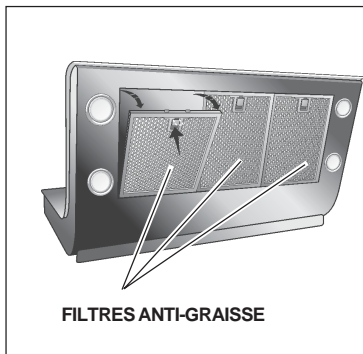


## ENTRETIEN

Un bon entretien de votre hotte garantira une excellente performance.

### *Filtres anti-graisse :*

Les **filtres anti-graisse** doivent être nettoyés environ toutes les 30 heures de fonctionnement (lorsque l'icône D1 s'allume). Utilisez une solution contenant un détergent tiède. Les filtres anti-graisse peuvent être lavés au lave-vaisselle. Enlevez les filtres: tirer la poignée vers l'externe et décrocher le filtre.



### *Filtres à charbon :*

Les filtres à charbon (pour modèles recyclant l'air) doivent être remplacés toutes les fois que l'icône D10 s'allume (c'est-à-dire toutes les 120 heures de fonctionnement).

Enlever les filtres à charbon en les poussant contre le ressort et les faisant tourner vers le bas.

### *Nettoyage de votre hotte*

Conseils pour le nettoyage:

- Eau tiède additionnée d'un détergent doux est tout ce qui est normalement nécessaire.
- Après chaque nettoyage, rincez bien à l'eau claire. Essuyez avec un chiffon propre et doux afin d'éviter les taches d'eau.
- **NE LAISSEZ PAS** les taches trop longtemps.
- **N'UTILISEZ PAS** de laines d'acier ordinaires ou des brosses en acier.
- **NE PERMETTEZ PAS** que des solutions salées, des désinfectants, des blanchissants ou des produits nettoyants restent en contact pendant longtemps. Beaucoup de ces produits contiennent des produits chimiques qui pourraient causer des dommages. Rincez à l'eau immédiatement s'ils entrent en contact et essuyez avec un chiffon humide.

# FONCTIONNEMENT



## Commandes

**Touche P1: ECLAIRAGE.** En pressant 1 fois la touche, la lumière s'allume au 1<sup>er</sup> niveau; en pressant 2 fois la touche, la lumière du 2<sup>ème</sup> niveau s'allume (éclairage plus intense); en pressant encore une fois la touche, la lumière s'éteint.

**Touche P2: MOTEUR.** Active/Désactive le moteur. Active le moteur à la dernière vitesse utilisée, et si on la presse à plusieurs reprises elle change la vitesse de façon cyclique (1, 2, 3, 4, 1, 2....). La vitesse établie est visualisée par l'icône D5 et, en même temps, l'icône D8 s'active (la vitesse du mouvement rotatif est proportionnelle à la vitesse). L'icône D8 se désactive et l'icône D3 s'active à la vitesse maximum. Pour arrêter le moteur presser la touche P2 pendant 2 secondes environ (on met en mémoire la vitesse établie).

**Touche P3: Sélectionne/Désélectionne les fonctions D4 (CAPTEUR) et/ou D7 (Air Refresh).**

**Touche P4: Reset filtres à graisse et filtres à charbon.**

**icône D1: FILTRES À GRAISSE.** Elle s'allume quand il est temps de nettoyer le/s filtre/s à graisse (après environ 30 heures de fonctionnement de la hotte). Une fois nettoyés les filtres à graisse, presser la touche P4 pour faire repartir le comptage.

**icône D3: VITESSE MAXIMUM.** Elle s'active seulement quand la vitesse maximum est établie.

**icône D4: CAPTEUR.** Pour activer la fonction capteur, presser la touche P3. Pour désactiver le capteur, répéter la même opération. Avec le capteur activé, la hotte s'actionne automatiquement en présence de n'importe quel type d'odeur, vapeur, fumée ou chaleur provoquée par le processus de cuisson et même en présence d'éventuelles fuites de GAZ dans l'environnement.

**icônes D5 et D6: DISPLAY.** Il visualise la vitesse établie. Il visualise la sensibilité du capteur.

**icône D7: AIR REFRESH.** Pour activer la fonction Air Refresh, presser la touche P3 jusqu'à ce que l'icône s'allume. Pour désactiver la fonction Air Refresh répéter la même opération.

La fonction Air Refresh s'active seulement si le moteur n'est pas en marche. En activant la fonction Air Refresh, la hotte change l'air dans le local dans un silence absolu, en s'actionnant toutes les 50 minutes (pour une durée de 10 minutes, à la première vitesse).

**icône D8: MOTEUR ON.** L'icône s'allume quand le moteur est à la première, seconde ou troisième vitesse. A la quatrième vitesse, l'icône s'éteint et l'icône relative à la vitesse maximum s'active (icône D3).

**icône D10: FILTRES À CHARBON** (pour la hotte recyclant l'air). Elle s'allume quand il est temps de remplacer les filtres à charbon (après environ 120 heures de fonctionnement de la hotte). Une fois les filtres à charbon remplacés, pour faire repartir le comptage des heures presser la touche P4.

**Modification de la sensibilité du capteur:**

appuyer en même temps sur les touches P3 et P4 (l'afficheur D5 visualise l'indice de sensibilité du capteur); appuyer sur la touche P3 pour changé la sensibilité du capteur (1 : sensibilité minimum / 9: sensibilité maximum).

Appuyer la touche P4 pour confirmer (ou est confirmé automatiquement depuis 5").

### **HEAT SENTRY<sup>MC</sup>**

Votre hotte est munie d'un thermostat HEAT SENTRY<sup>MC</sup>. Ce thermostat est un dispositif qui actionnera ou augmentera la vitesse du ventilateur s'il détecte une chaleur excessive au-dessus de la surface de cuisson.

- 1) Si le ventilateur n'est pas en marche - il actionnera le ventilateur en haute vitesse.
- 2) Si le ventilateur fonctionne en basse vitesse - le ventilateur tournera en haute vitesse.

Lorsque la température revient à la normale, le ventilateur retourne à sa vitesse d'origine.

### **AVERTISSEMENT**

**Le thermostat HEAT SENTRY<sup>MC</sup> peu actionner la hotte même si la hotte est arrêtée. Si tel est le cas, il est impossible de l'arrêter avec l'interrupteur. Si vous devez arrêter le ventilateur, faites-le à partir du panneau électrique principal.**

## **AMPOULES HALOGENES**

Ce modèle de hotte veut quatre (4) ampoules halogènes (Type T3, 12Volt, 20 Watt Max, G-4 Base).

**⚠ ATTENTION: avant de procéder à quelque opération, débranchez l'appareil.**

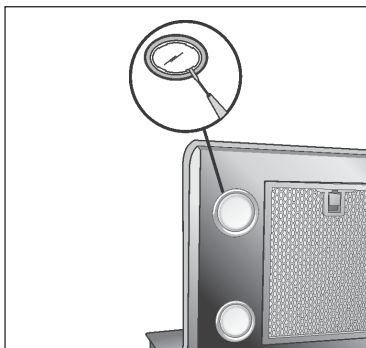
Pour changer les ampoules:

1. Ouvrez le couvercle en faisant levier grâce aux fissures prévues à cet effet.
2. Retirez l'ampoule en tirant latéralement. (NE LA FAITES PAS TOURNER).

**⚠ ATTENTION: l'ampoule peut être chaude!**

3. Remplacer par une ampoule ayant les mêmes caractéristiques (T3, 12Volt, 20 Watt Max, G-4 Base). Ne touchez pas l'ampoule neuve de vos mains nues.

**⚠ ATTENTION: L'utilisation d'ampoules de plus de 20 watts provoquera l'ouverture du fusible.**



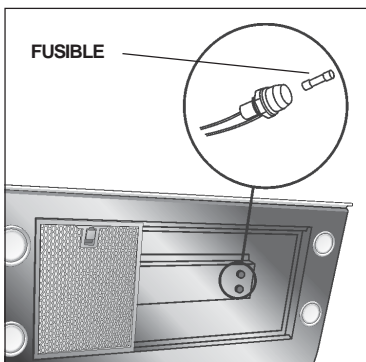
## **REEMPLACEMENT FUSIBLE**

**SI LES AMPOULES NE FONCTIONNENT PAS, DÉBRANCHEZ L'ALIMENTATION À L'ENTRÉE DE SERVICE. CONTRÔLEZ LE FUSIBLE ET REMPLACEZ-LE SI NÉCESSAIRE.**

1. Retirez les filtres de graisse.
2. Dévissez la protection du support de fusible et retirez le fusible.
3. Remplacez le fusible par un autre de même taille et de même intensité (5 x 20 mm, 4 amp, 125 volts).

**⚠ ATTENTION : L'utilisation d'un fusible de plus de 4 amps peut endommager le transformateur.**

4. Remplacez la protection du support de fusible.
5. Rebranchez l'alimentation à l'entrée de service.

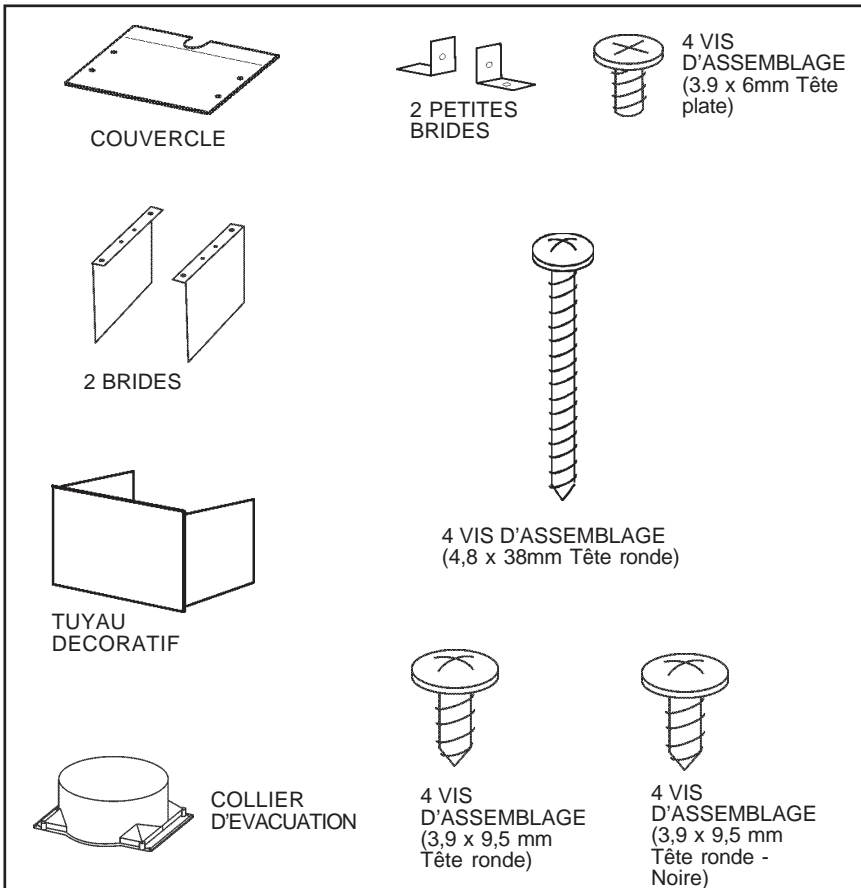


# PREPAREZ LA HOTTE

Enlever la hotte dans l'emballage et contrôler le contenu.

Vous devez recevoir :

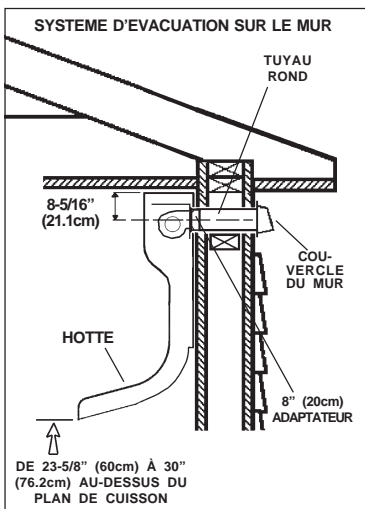
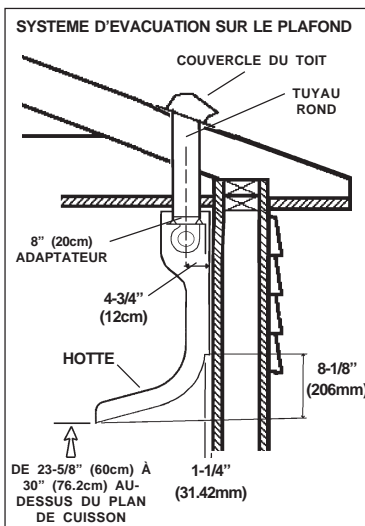
- 1 - Hotte
- 1 - Tuyau décoratif
- 1 - Sachet (B080810765) avec:
  - 1 - Couvercle
  - 4 - Vis d'assemblage (4.8 x 38mm Tête ronde)
  - 4 - Vis d'assemblage (3.9 x 6mm Tête plate)
- 2 - Brides
- 1 - Sachet (B080810621) avec:
  - 1 - Collier d'évacuation
  - 4 - Vis d'assemblage (3,9 x 9,5mm Tête ronde)
  - 4 - Vis d'assemblage (3,9 x 9,5mm Tête ronde - Noire)
- 2 - Petites Brides
- 1 - Instructions pour l'installation
- 1 - Garantie



# INSTALLATION DU SYSTEME D'EVACUATION (UNIQUEMENT POUR LES HOTTES AVEC TUYAU D'EVACUATION)

**⚠ ATTENTION:** Pour réduire les risques d'incendie, n'utilisez que des tuyaux en métal.

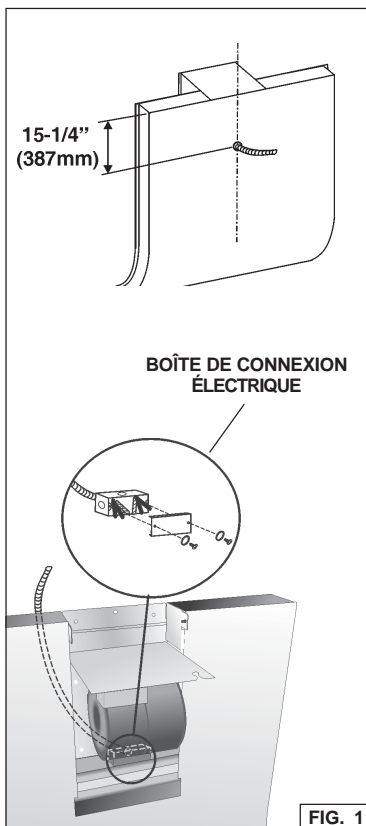
1. Décidez où le tuyau rond doit être installé, entre votre hotte et l'extérieur.
2. Un tuyau droit et court permettra à votre hotte de fonctionner d'une façon plus efficace.
3. Un tuyau long avec des coudes et des transitions réduira le bon fonctionnement de votre hotte. En utiliser le moins possible. Pour de longues utilisations, il faut un tuyau d'évacuation d'air ayant un diamètre plus large.
4. Installez un couvercle sur le toit ou au mur. Reliez un tuyau en métal rond au couvercle et faites-le aller jusqu'à l'emplacement de votre hotte. Rendez les jonctions du tuyau hermétiques au moyen d'un ruban pour tuyaux.



## INSTALLATION ELECTRIQUE

**⚠ AVERTISSEMENT:** Les branchements électriques doivent être réalisés par une personne qualifiée, conformément à tous les codes et règlements applicables. Cette hotte doit être correctement raccordée à la terre. Coupez l'alimentation à l'entrée de service avant de procéder au câblage.

1. Enlevez le couvercle de la **boîte de connexion électrique**. Ouvrez un trou de la boîte de connexion électrique.
2. Fixer le "conduit" au boîtier de connexion à l'aide d'un connecteur approprié pour ce "conduit".
3. Faites le raccordement électrique. Reliez le blanc au blanc, le noir au noir et le vert au vert.
4. Remettez le couvercle de la boîte de connexion et les vis. Assurez-vous que les fils ne se sont pas coincés entre le couvercle et la boîte.



## PRÉPARATION DE LA HOTTE

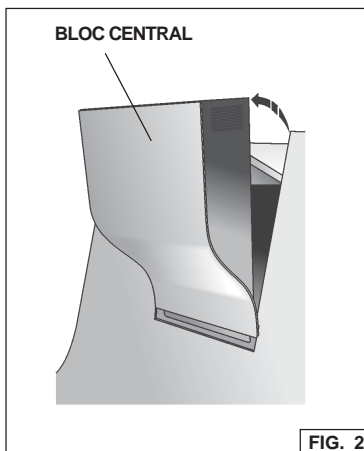
### Remarque :

**retirez précautionneusement le film protecteur des surfaces extérieures et du tuyau décoratif avant de terminer l'installation.**

Pour éviter de causer des dommages pendant le transport, l'appareil a été fixé, au moyen de quatre vis à un panneau d'aggloméré placé au fond de la boîte d'emballage.

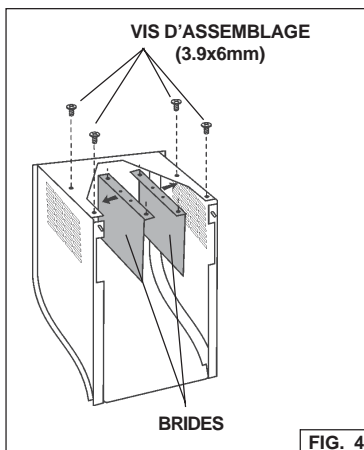
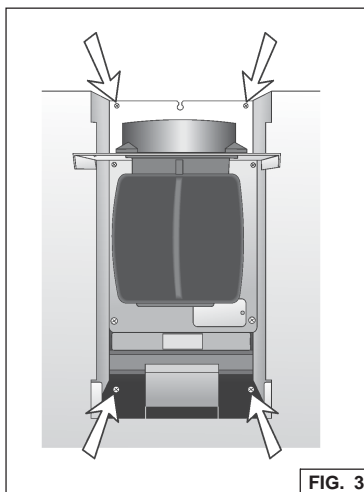
Pour séparer la hotte du panneau, faites ainsi:

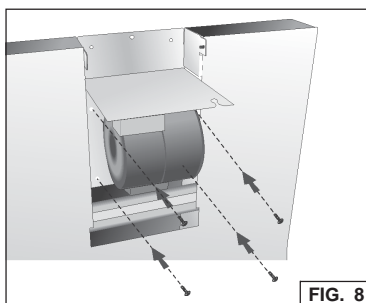
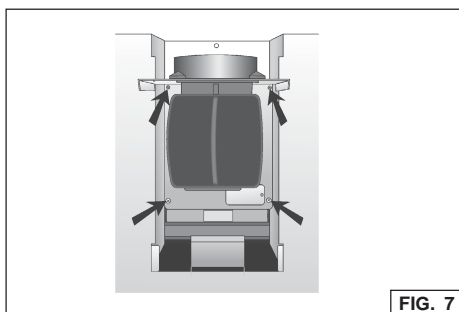
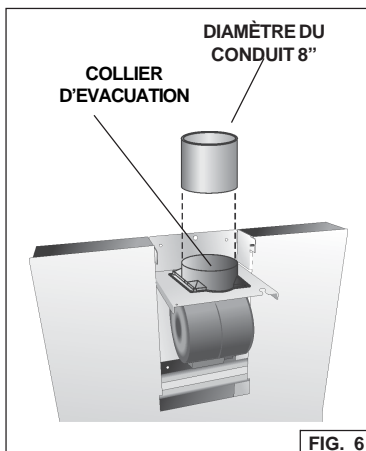
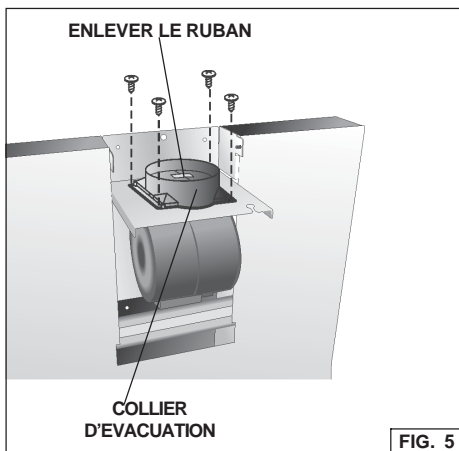
- a. Démontez le bloc central: faire rouler délicatement le bloc vers l'extérieur (Fig.2).
- b. Enlever le 4 vis (Fig. 3).



### Configuration avec tuyau d'évacuation

1. Monter les 2 brides sur le bloc central de telle sorte que les ouvertures soient obturées. Chaque bride doit être fixée à l'aide de (2) vis d'assemblage 3.9x6 mm (Fig. 4).
2. Fixez le collier d'évacuation au haut de votre hotte (Fig. 5); la fixation a lieu au moyen des 4 vis d'assemblage (3,9 x 9,5mm Tête ronde).
3. Enlever le ruban positionné sur le clapet (Fig. 5).
4. Attachez un conduit arrondi en acier d'une longueur de 8" au collier d'évacuation de la hotte (Fig. 6). Reliez toutes les sections pour empêcher le passage de l'air.
5. **Si le conduit d'évacuation de l'air est placé sur le mur** (et non pas sur le plafond), lire les instructions suivantes:
  - démonter le bloc moteur (y compris la plaque sur laquelle il est fixé) en dévissant les 4 vis (Fig. 7).
  - le tourner le bloc moteur de façon que le collier d'évacuation soit orienté vers le mur.
  - utiliser les mêmes vis pour fixer le bloc moteur dans la nouvelle position (Fig.8).



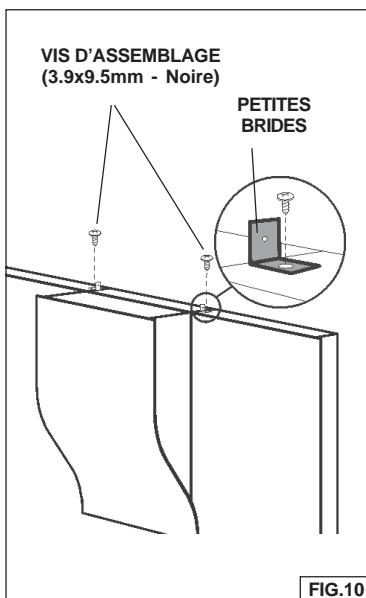
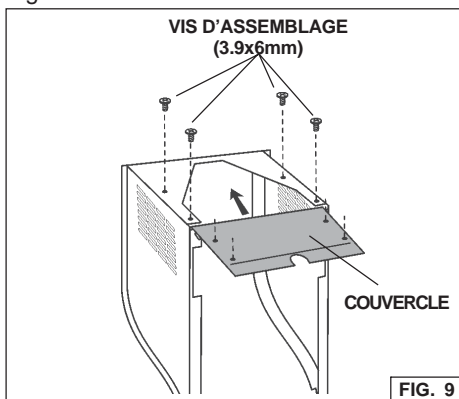


### **Configuration recyclant l'air**

Monter le couvercle en dotation en utilisant 4 vis d'assemblage (3.9x6mm) - Fig. 9.

### **Configuration avec tuyau d'evacuation et recyclant l'air**

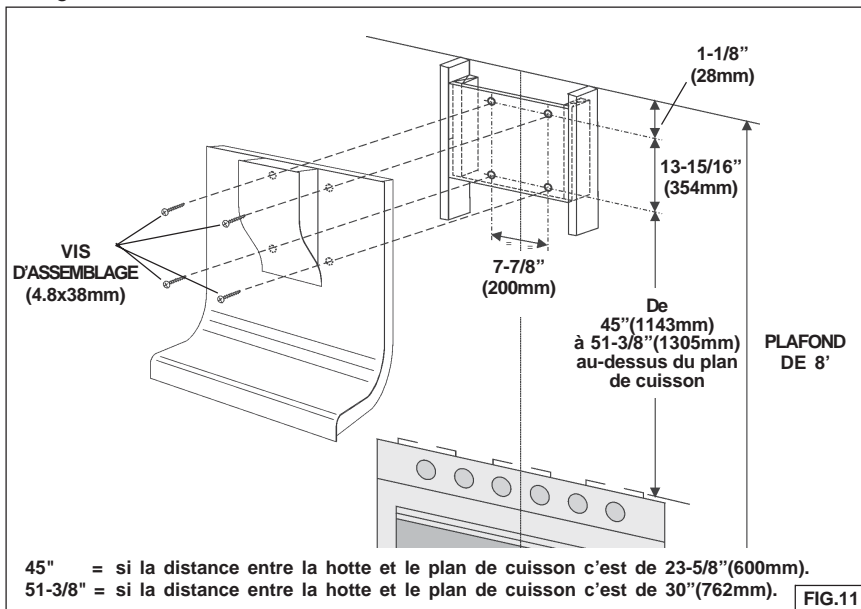
Lorsque le plafond est de 9' ou 10', montez les 2 petites brides du tuyau décoratif au moyens de (2) vis d'assemblage (3.9x9.5mm - Noire). Fig. 10.



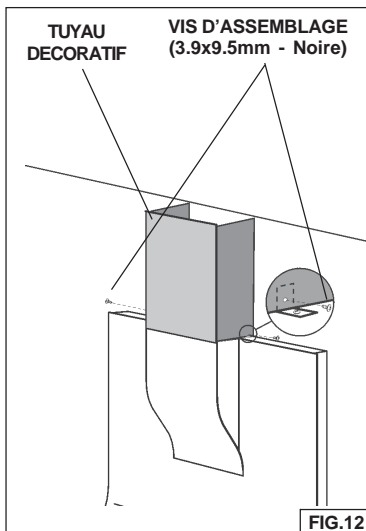
# INSTALLATION DE LA HOTTE

Remarque : la hotte doit être installée par au moins 3 personnes.

1. Faites sur le mur 4 trous (D. 8mm), en respectant les mesures indiquées sur la Fig. 11.



2. Fixez la hotte au moyen de (4) vis d'assemblage (4.8x38mm).
3. Procéder au branchement électrique (faire référence à la section "Installation électrique").
4. Remonter le bloc central.
5. Lorsque le plafond est de 9' ou 10', montez le tuyau décoratif. Pour plafond de 9', le tuyau décoratif est fourni. Pour plafond de 10', procurez-vous un KIT de tuyau décoratif chez votre fournisseur. Fixez le tuyau décoratif au moyen des (2) vis d'assemblage (3.9x9.5mm - noire). Fig. 12.



# GARANTIE

## GARANTIE BROAN LIMITÉE À UN AN

Broan garantit au consommateur-acheteur de ses produits que ces produits seront sans défauts concernant les matières employées et concernant la fabrication pendant une période d'un an à partir de la date d'achat. IL N'Y A AUCUNE AUTRE GARANTIE, EXPLICITE OU IMPLICITE, Y COMPRIS, MAIS NON PAS LIMITEE A, LES GARANTIES IMPLICITES OU CONCERNANT LA CAPACITE COMMERCIALE OU LA CONVENANCE POUR TOUT BUT PARTICULIER. Pendant cette période d'un an, Broan réparera ou remplacera, s'il le jugera nécessaire, gratuitement, tout article ou toute pièce qui résulteront défectueux à condition qu'ils aient été utilisés et entretenus correctement.

CETTE GARANTIE NE S'ETEND PAS AUX INTERRUPTEURS DES NEON, NEON, LAMPES HALOGENES, AMPOULES d'ILLUMINATION. Cette garantie ne couvre pas (a) l'entretien normal ni (b) tout article ou toute pièce qui aient subi une utilisation erronée, une négligence, un accident, un entretien erroné ou une réparation (autre que de la part de Broan), une installation défectueuse ou bien une installation ne respectant pas les instructions d'installation recommandées.

La durée de toute garantie implicite est limitée à un an comme cela est spécifié dans la garantie explicite. Quelques états ne permettent pas de limites quant à la durée d'une garantie implicite, par conséquent la limitation indiquée ci-dessus peut ne pas vous concerner.

L'OBLIGATION DE REPARER OU DE REMPLACER DE LA PART DE BROAN SERA LE SEUL ET EXCLUSIF REMEDE DE L'ACHETEUR COUVERT PAR CETTE GARANTIE. BROAN NE SERA PAS RESPONSABLE DES DOMMAGES ACCIDENTELS, CONSEQUENTIELS OU SPECIAUX DUS A L'UTILISATION DU PRODUIT OU A SA PERFORMANCE OU EN ETANT LA CONSEQUENCE. Quelques états ne permettent pas l'exclusion ou la limitation des dommages accidentels ou consécutifs, par conséquent la limitation indiquée ci-dessus peut ne pas vous concerner. Cette garantie vous donne des droits légaux spécifiques, et vous pouvez aussi avoir d'autres droits, qui varient d'Etat à Etat. Cette garantie dépasse toute garantie précédente. Pour avoir droit à la garantie, vous devez (a) avvertir la Maison Broan à l'adresse indiquée ci-dessous ou téléphoner : 1-800-637-1453, (b) donner le numéro du modèle et l'identification de la pièce défectueuse et (c) décrire la nature de tout défaut de l'article ou de la pièce. Au moment où vous demandez le service de garantie, vous devez présenter la preuve d'achat avec la date.

**BEST BY BROAN, P.O. Box 140 Hartford, Wisconsin 53027**

# LEA Y CONSERVE ESTAS INSTRUCCIONES

 **INDICADO PARA EL USO EN COCINAS DOMESTICAS** 

  **ADVERTENCIA**

**PARA EVITAR EL RIESGO DE INCENDIO, CORTOCIRCUITO O DAÑO PARA LAS PERSONAS, OBSERVE ATENTAMENTE LAS SIGUIENTES NORMAS:**

1. Use esta unidad solamente de la manera indicada por el fabricante; si tiene dudas, póngase en contacto con éste a la dirección o teléfono indicados en la garantía.
2. Antes de hacer una revisión o de limpiar la unidad, desconéctela de la red para evitar que se encienda de manera accidental. En el caso de que éste no pueda ser desactivado, se indicará nel panel de servicio.
3. El montaje y la instalación eléctrica debe hacerlos un técnico especializado siguiendo las normas estándar e incluyendo aquellas de construcción anti incendio.
4. Necesita aire suficiente para una apropiada combustión y escape de gases a través del tubo del depósito de quema de combustible. Para evitar que el humo aspirado vuelva a la cocina, siga las directivas del fabricante y las normas estándar de seguridad así como las normas publicadas por la Asociación de prevención de incendios (NFPA) y la Sociedad americana de especialistas en cale-facción, refrigeración y aire acondicionado y además las normas de las autoridades locales.
5. Hacer un corte o un taladro en la pared o en el techo no debe dañar la instalación eléctrica u otras instalaciones ocultas en la pared.
6. Los conductos ventiladores deben siempre desalojar al exterior.
7. No use esta unidad con dispositivo de control de la velocidad a estado sólido.
8. Para evitar el riesgo de incendio, use solamente conductos de metal.
9. Esta unidad tiene que ser conectada a tierra.

**PARA EVITAR EL RIESGO DE FUEGO POR ALTO NIVEL DE GRASA:**

- A. Nunca abandone los quemadores con el fuego alto. La cocción causa humo y restos de grasa que pueden arder. Caliente el aceite a fuego medio o bajo.
- B. Encienda siempre la campana cuando cocine a fuego alto o cuando cocine alimentos fácilmente inflamables. (por ejemplo Crepes Suzette, Cerezas Jubilee, Ternera flambeada con granos de pimienta).
- C. Limpie con frecuencia los ventiladores. No se debe acumular grasa en el ventilador o en el filtro.
- D. Usa el tamañ de cazuela apropiado. Use siempre utensilios de cocina de tamaño y material adecuados.

  **ADVERTENCIA**

**PARA EVITAR EL RIESGO DE DAÑOS A PERSONAS EN CASO DE FUEGO POR ALTO NIVEL DE GRASA, TENGA EN CUENTA LO SIGUIENTE:\***

1. SOFOQUE LA LLAMA con una tapadera apropiada, una bandeja metálica ó un utensilio de cocina que pueda cubrirla, despues, apague el quemador. ACTÚE CON PRECAUCIÓN PARA EVITAR QUEMADURAS. Si la llama no se extingue inmediatamente, SALGA Y LLAME A LOS BOMBEROS.
2. NUNCA COJA UNA SARTEN EN LLAMAS, porque corre el riesgo de quemarse.
3. NO USE AGUA ni paños o toallas húmidas porque puede provocarse una violenta humareda.
4. Use un extintor SOLAMENTE si:
  - A. Posee un extintor de clase ABC y sabe perfectamente cómo usarlo.
  - B. El fuego es pequeño y está controlado en el mismo sitio en que empezó.
  - C. Ha llamado con anterioridad a los bomberos.
  - D. Puede combatir el fuego retrocediendo hacia la salida.

\* Basado en "Seguridad antifuego en la cocina" publicado por NFPA.

## **ADVERTENCIA**

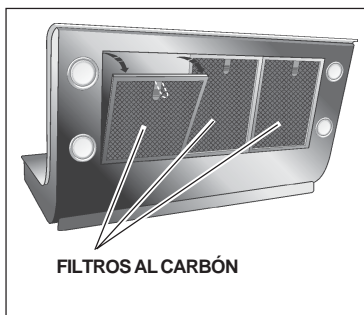
---

1. Para reducir el riesgo de incendios y para evacuar correctamente los humos, asegurarse de haber realizado una conducción del aire hasta el exterior. No expulsar los humos en espacios cerrados por paredes o techos, áticos, espacios angostos o garajes.
2. Prestar la máxima atención al utilizar productos de limpieza o detergentes.
3. Evitar el uso de productos alimentarios que puedan inflamarse bajo la campana.
4. Sólo para ventilación total. No use gases de escape peligrosos o materiales y vapores explosivos.
5. Para evitar daños en el funcionamiento del motor e impulsores ruidosos y/o desequilibrados, mantenga alejados de la unidad de encendido pulverizadores en seco o polvo.
6. El motor tiene un nivel de sobrecarga térmica que apaga automáticamente el motor cuando se ha recalentado excesivamente. El motor se pone de nuevo en funcionamiento cuando la temperatura baja. Si el motor comienza a encenderse y a apagarse, deberá hacer una revisión de éste.
7. Para limpiar mejor las impurezas al cocinar, la distancia entre la parte inferior de la campana y la zona de cocción debe ser mínimo 23-5/8" - máximo 30".
8. Debido a su gran tamaño y peso, se recomienda su montaje por parte de 3 técnicos especializados.
9. Este producto está dotado de un termostato que pone en marcha automáticamente el motor. Para reducir el riesgo de daños y evitar que se encienda accidentalmente, colocar el interruptor del panel de servicio en la posición OFF y bloquear el panel de servicio o colocar una advertencia externa como por ejemplo un letrero o una chapita.
10. Use solamente con juego de conexión para alimentación aprobado.
11. Se recomienda leer la placa de características del producto para ulterior información.

## INSTALACION FILTROS AL CARBÓN

### *Configuración sin tubo*

1. Compre los filtros al carbón (B03300502) a su proveedor habitual.
2. Instalen los filtros: apretar el filtro contra el muelle y girarlo hacia arriba.



## MANTENIMIENTO

Un mantenimiento adecuado de la campana asegura el funcionamiento correcto del aparato.

### *Filtros antigrasa*

Los **filtros antigrasa** deben ser limpiados aproximadamente cada 30 horas de funcionamiento (cuando se enciende el icono D1).

Use un detergente que no sea fuerte. Los filtros antigrasa se pueden meter en el lavavajillas.

Extraiga los filtros: tirar de la manilla hacia el exterior y desenganchar el filtro.



### *Filtros al carbón (configuración sin tubo)*

Los filtros al carbón deben cambiarse cada vez que se enciende el icono D10 (es decir cada 120 de funcionamiento).

Quitar los filtros al carbón apretándolos contra el muelle y girándolos hacia abajo.

### *Limpieza de la campana*

Consejos útiles de limpieza:

- Normalmente, todo lo que se necesita es agua tibia y un detergente suave.
- Aclárela con agua corriente, séquela con un paño suave y limpio para evitar las huellas que deja el agua.
- **NO** deje que las manchas se acumulen durante mucho tiempo.
- **NO** use utensilios o cepillos de acero.
- **NO** permita que permanezcan en contacto, durante mucho tiempo, soluciones salinas, desinfectantes, blanqueadores o compuestos de limpieza. Muchos de estos compuestos contienen productos químicos que pueden ser dañinos.

## FUNCIONAMIENTO



### **Mandos**

**Pulsador P1:** LUCES. Pulsando el pulsador una vez, la luz se enciende a intensidad 1, pulsándolo una segunda vez, la luz se enciende a intensidad 2 (luz más intensa) y, pulsándolo otra vez más, la luz se apaga completamente.

**Pulsador P2:** MOTOR. Activa/Desactiva el motor. Activa el motor a la última velocidad usada, y, apretándolo varias veces, cambia la velocidad de modo cíclico (1, 2, 3, 4, 1, 2,...). La velocidad seleccionada se visualiza en el icono D5 y contemporáneamente se activa el icono D8 (la velocidad del movimiento rotatorio es proporcional a la velocidad). Usando la velocidad máxima se desactiva el icono D8 y se activa el icono D3. Para apagar el motor apretar el pulsador P2 durante 2 segundos más o menos (se memoriza la velocidad seleccionada).

**Pulsador P3:** Selecciona/Deselecciona las funciones D4 (SENSOR) y/o D7 (Air Refresh).

**Pulsador P4:** Reset filtros antigraza y filtros al carbón.

**Icono D1:** FILTROS ANTIGRASA. Se enciende cuando es el momento de limpiar el/los filtro/s antigraza (al cabo de 30 horas de funcionamiento de la campana). Una vez limpios el/los filtro/s antigraza, para iniciar de nuevo el cálculo de las horas, apretar el pulsador P4.

**Icono D3:** VELOCIDAD MAXIMA. Se activa solo cuando está seleccionada la velocidad máxima.

**Icono D4:** SENSOR. Para activar la función sensor, apretar el pulsador P3; sucesivamente apretar el pulsador P4. Para desactivar el sensor, repetir la misma operación. Con el sensor activado, la campana funciona automáticamente en presencia de cualquier tipo de olor, vapor, humo ó calor causado por el proceso de cocción y también en presencia de eventuales y anormales fugas de GAS en el ambiente.

**Icono D5 e D6:** DISPLAY. Indica la velocidad seleccionada. Indica la sensibilidad del sensor.

**Icono D7:** AIR REFRESH. Para activar la función Air Refresh, apretar el pulsador P3 (el icono se enciende). Para desactivar la función Air Refresh repetir la misma operación. La función Air Refresh se activa solo si el motor no está funcionando. Activando la función Air Refresh, la campana cambia el aire del ambiente en perfecto silencio, encendiéndose cada 50 minutos (con una duración de 10 minutos, con la primera velocidad).

**Icono D8:** MOTOR ON. El icono se enciende cuando el motor se encuentra en la primera, segunda ó tercera velocidad. En la cuarta velocidad, el icono se apaga y se activa el icono de la velocidad máxima (icono D3).

**Icono D10:** FILTROS AL CARBÓN (para la configuración sin tubo). Se enciende cuando es el momento de sustituir los filtros al carbón (al cabo de 120 horas de funcionamiento de la campana). Una vez sustituido los filtros al carbón, para iniciar de nuevo el cálculo de las horas apretar el pulsador P4.

**Modificación de la sensibilidad del sensor:** pulse simultáneamente los pulsador P3 y P4 (en la pantalla D5 aparecerá el índice de sensibilidad del sensor); pulse el pulsador P3 por modificar el índice de sensibilidad del sensor (1 : sensibilidad mínima / 9: sensibilidad máxima). Pulse el pulsador P4 por confirmar (ó es confirmado automáticamente después 5").

## HEAT SENTRY<sup>MR</sup>

Su campana esta equipada con termostato HEAT SENTRY<sup>MR</sup>. Este termostato tiene un mecanismo que se encenderá acelerará el ventilador si se detecta un calor excesivo encima de la cocina.

- 1) Si el ventilador esta apagando - el se prenderá a una velocidad máxima.
- 2) Si el ventilador esta encendido a una velocidad minima - el se prenderá a una velocidad máxima.

Cuando la temperatura disminuye a un nivel normal, el ventilador vuelve a la función de origen.

### AVERTENCIA

**El HEAT SENTRY<sup>MR</sup> termostato puede comenzar a funcionar al igual si la campana esta parada. En este caso, es imposible parar el ventilador con los interruptores. Si usted para la campana, halago a partir del panel eléctrico principal.**

## LAMPARAS HALOGENAS

Este tipo de campana necesita 4 lámparas halógenas (Tipo T3, 12Volt, 20 Watt Max, G-4 Base).

**⚠ ATENCIÓN: antes de proceder a cualquier operación, es necesario desconectar el aparato.**

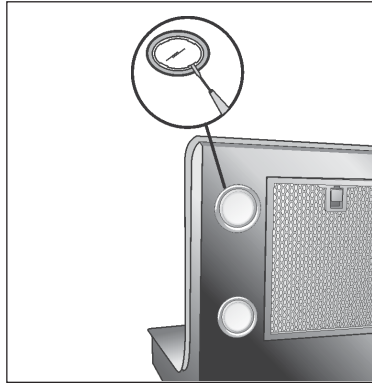
Para cambiar las lámparas:

1. Abra la tapa haciendo palanca sobre las hendiduras apropiadas.
2. Quite la bombilla tirando de los lados. (NO LA GIRE).

**⚠ ATENCIÓN: las lámparas pueden estar calientes.**

3. Sustituir con lámparas del mismo tipo (T3, 12Volt, 20 Watt Max, G-4 Base). No toque la lámpara de repuesto con las manos desnudas.

**⚠ PRECAUCIÓN: Si utiliza bombillas de más de 20 vatios se abrirá el fusible.**



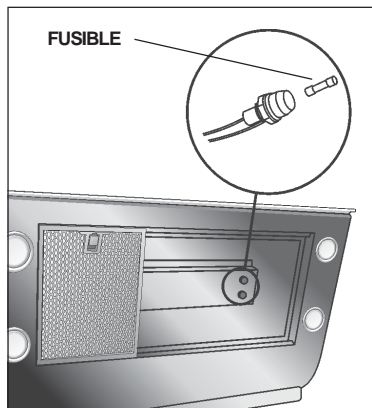
## SUSTITUCION FUSIBLE

**SI LAS LÁMPARAS NO FUNCIONAN, DESCONECTE LA CORRIENTE DE LA TOMA DE SERVICIO, INSPECCIONE EL FUSIBLE Y CÁMBIELO SI ES NECESARIO.**

1. Extraiga los filtros antigrasa.
2. Desenrosque la tapa del portafusibles y saque el fusible.
3. Sustituya el fusible por otro del mismo tamaño y amperaje (5 x 20 mm, 4 A, 125 V).

**⚠ PRECAUCIÓN: Si utiliza un fusible de más de 4 A puede dañar el transformador.**

4. Vuelva a colocar la tapa del portafusibles.
5. Vuelva a conectar la corriente en la toma de servicio.

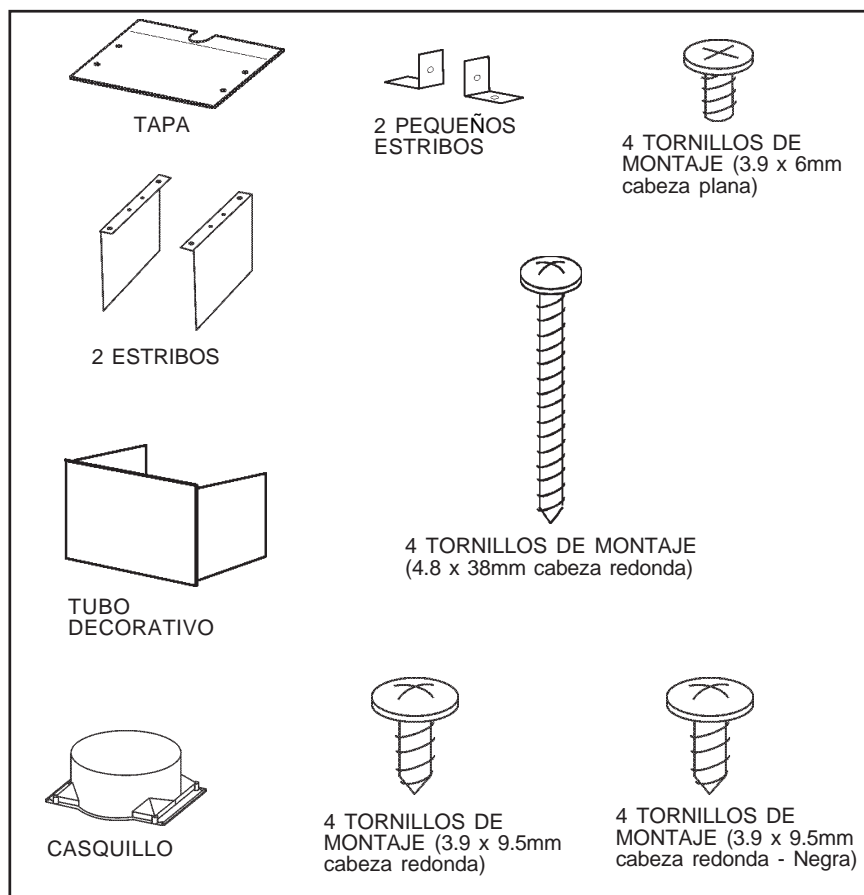


## PREPARE LA CAMPANA

Sacar la campana de l'embalaje y controlar el contenido.

Recivireis:

- 1 - Campana
- 1 - Tubo decorativo
- 1 - Bolsita (B080810765) con:
  - 1 - Tapa
  - 4 - Tornillos de montaje (4.8x38mm cabeza plana)
  - 4 - Tornillos de montaje (3.9x6mm cabeza plana)
  - 2 - Estribos
- 1 - Bolsita (B080810621) con:
  - 1 - Casquillo
  - 4 - Tornillos de montaje (3.9x9.5mm cabeza redonda)
  - 4 - Tornillos de montaje (3.9x9.5mm cabeza redonda - Negra)
  - 2 - Pequeños estribos
- 1 - Instrucciones para instalación
- 1 - Garantía



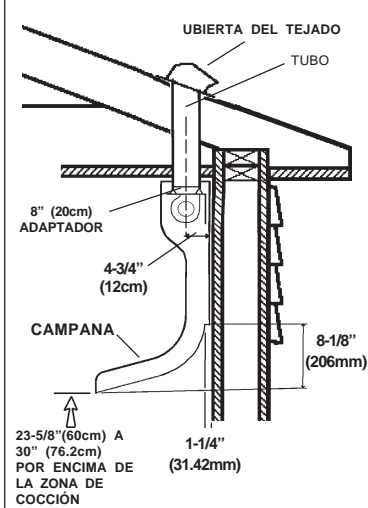
# INSTALACION DEL TUBO DE EXTRACCION

## (SÓLO CAMPANAS CON CONDUCTO)

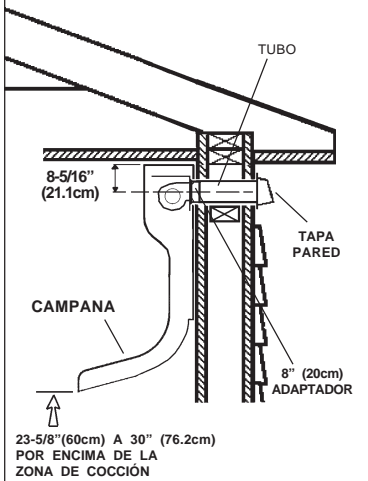
**⚠ ATENCIÓN:** para evitar el riesgo de incendio, use solamente material de metal.

1. Decida donde va a colocar el tubo de extracción entre la campana y la parte exterior.
2. Un recorrido de tubo corto y recto permitirá a la campana funcionar de manera más eficaz.
3. Los recorridos largos de tubo, codos y manguitos impiden el buen funcionamiento de la campana. Use el menor número de ellos posible. Para usos prolongados es necesario un tubo de evacuación del aire de mayor diámetro.
4. Instale una cubierta ó una tapa. Una el tubo de metal a la cubierta y retroceda hasta la posición de la campana. Use una cinta para precintar las juntas entre las partes del entubado.

TUBO DE EXTRACCIÓN SITUADO EN EL TECHO



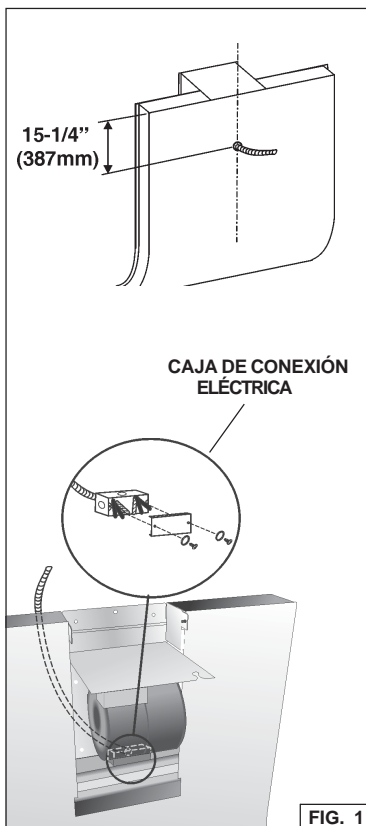
TUBO DE EXTRACCIÓN SITUADO EN LA PARED



## INSTALACIÓN ELÉCTRICA

**⚠ ADVERTENCIA:** La conexión eléctrica debe realizarla personal cualificado y de acuerdo con todos los códigos y normas aplicables. Esta campana de cocina debe estar adecuadamente conectada a tierra. Desconecte la corriente eléctrica en el punto de entrada de servicio antes de proceder a la conexión del cableado.

1. Quite la **tapa de la caja de conexión eléctrica** y saque un cable.
2. Fije el "conduit" a la caja de conexión por medio de un conector idóneo para el "conduit".
3. Haga las conexiones eléctricas, una blanco con blanco, negro con negro y verde con verde.
4. Vuelva a conectar la tapa de la caja de conexión. Compruebe que los cables no queden pillados.



# PREPARACIÓN DE LA CAMPANA

**Nota:** antes de llevar a cabo la instalación final, retire cuidadosamente la película protectora de plástico de todas las superficies exteriores de la campana y del tubo decorativo.

Para evitar que se dañe al transportarlo, el aparato ha sido fijado con cuatro tornillos a un panel de aglomerado en el fondo de la caja.

Para separar la campana del panel proceda de la siguiente manera:

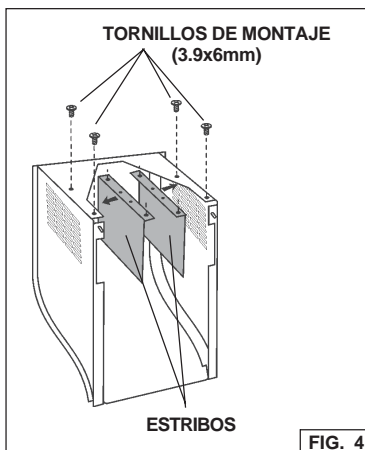
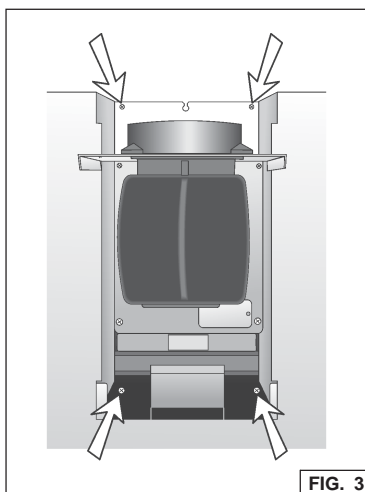
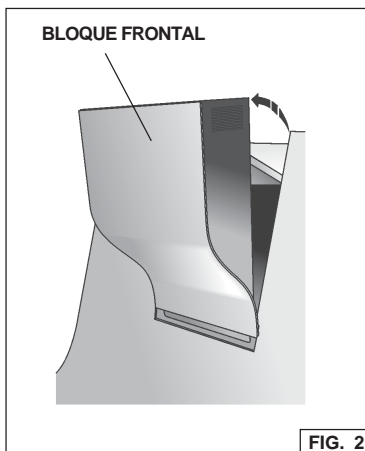
- Desmontar el bloque frontal: girar delicadamente el bloque hacia el exterior (Fig. 2).
- Quitar los (4) tornillos (Fig. 3).

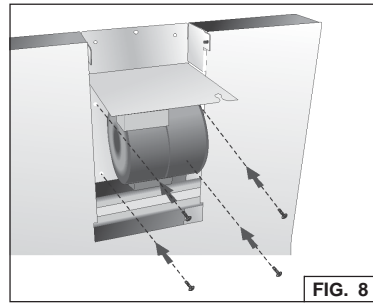
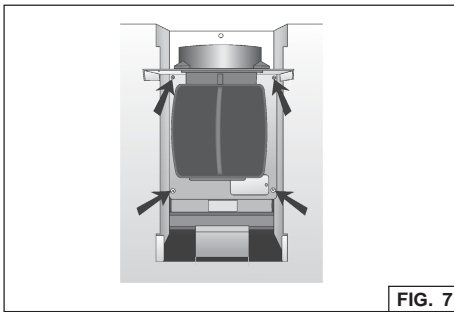
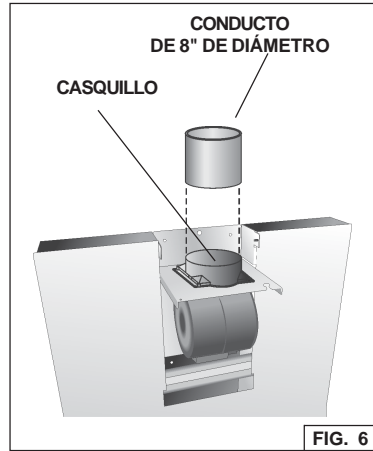
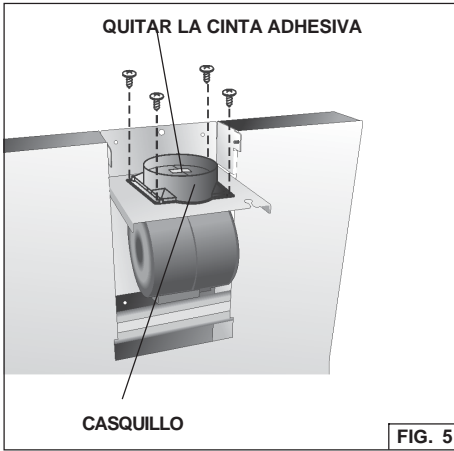
## Configuración con conducto

- Monte los 2 estribos en el bloque frontal, de manera que los ojales presentes queden obturados. Cada estribo debe fijarse con (2) tornillos de montaje 3.9x6mm (Fig. 4).
- Sujete el casquillo en la parte superior de la campana (Fig. 5); el casquillo se asegura por medio de 4 tornillos de montaje (3,9 x 9,5mm cabeza redonda).
- Quitar la cinta adhesiva en la válvula (Fig.5).
- Conecte un conducto redondo de acero de 8" al casquillo de la campana de cocina (Fig. 6).

El conducto tapa todas las juntas, asegurándolas y volviéndolas herméticas.

- Si el conducto de extracción del aire está situado en la pared (y no en el techo), leer las siguientes instrucciones:
  - desmontar el bloque motor (incluida la plancha sobre la que está sujeto) desenroscando los 4 tornillos (Fig. 7).
  - girar el bloque motor de manera que el casquillo esté situado hacia la pared.
  - usar los mismos tornillos para sujetar el bloque motor en la nueva posición (Fig.8).



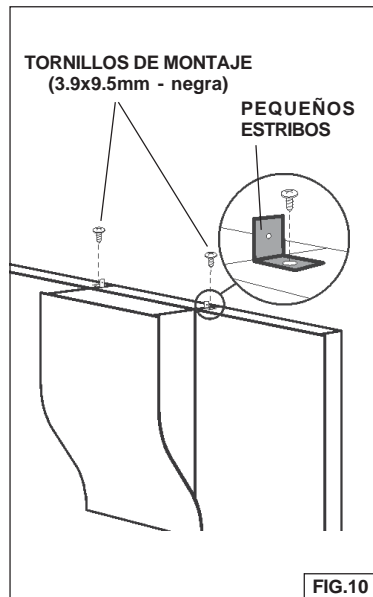
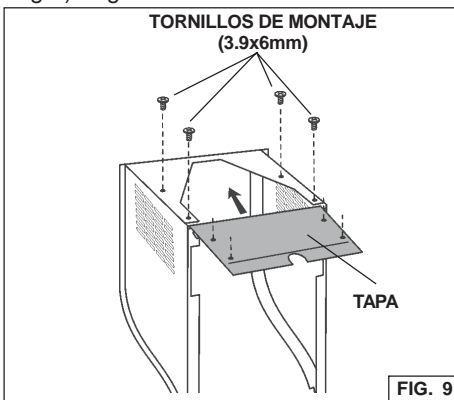


**Configuración sin conducto**

Colocar la tapa incluida en la dotación usando 4 tornillos de montaje (3.9x6mm) - Fig.9.

**Configuración con conducto y sin conducto**

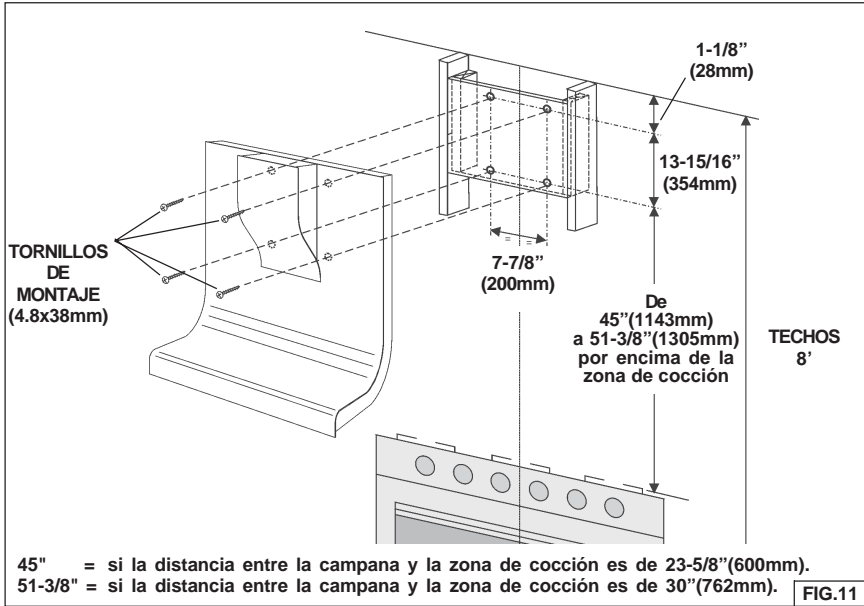
En techos de 9' o 10', fijar los 2 pequeños estribos del tubo decorativo a la campana con (2) tornillos de montaje (3.9x9.5mm - negra).



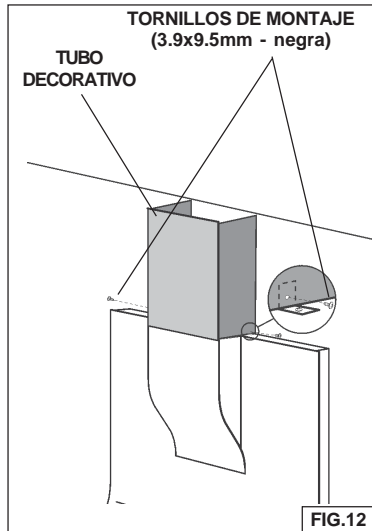
# INSTALACIÓN DE LA CAMPANA

Nota: se necesitan al menos 3 personas para montar la campana.

1. Hacer en la pared 4 agujeros (D. 8mm), respetando las medidas indicadas en la Fig. 11.



2. Asegure la campana con (4) tornillos de montaje (4.8x38mm).
  3. Efectúe la conexión eléctrica (véase sección "Instalación eléctrica").
  4. Volver a montar el bloque central.
  5. En techos de 9' o 10', montar el tubo decorativo. Por techos de 9', el tubo decorativo es ajiunto. Por techos de 10', compre un KIT tubo decorativo a su proveedor habitual. Asegure el tubo decorativo con (2) tornillos de montaje (3.9x9.5mm - negra).
- Fig.12.



# GARANTIA

---

## **GARANTIA BROAN POR UN AÑO**

Broan garantiza al consumidor-comprador de sus productos que dichos productos no tendrán defectos en los materiales o fabricación, durante un periodo de un año a partir de la fecha de la compra. **NO HAY OTRO TIPO DE GARANTIAS QUE INCLUYAN O SE LIMITEN EXCLUSIVAMENTE A GARANTIAS IMPLICITAS O DE CAPACIDAD COMERCIAL O CONVENIENCIA PARA UN PROPOSITO ESPECIFICO.**

Durante el periodo de un año, Broan, si lo estima conveniente, reparará o reemplazará sin gastos para el usuario cualquier producto o parte de éste que sea defectuosos habiéndose usado correctamente. **ESTA GARANTIA NO CUBRE: ESTARTER DE NEON, NEON, LÁMPARAS HALÓGENAS, LÁMPARAS DE ILUMINACIÓN.** Tampoco cubre el mantenimiento ni los productos o partes de éstos que hayan sido usados de forma incorrecta, con negligencia, rotos accidentalmente o por una incorrecta manutención ó reparación (distinta da la realizada por Broan), montaje incorrecto ó instalación que no se ajuste a las instrucciones de montaje indicadas. Le duración de la garantía se limita al periodo de un año como está especificado en la garantía explicita. Algunos países no permiten un limite en la duración de la garantía implicita; si es así en su caso, esta limitación arriba indicada podría no aplicarse.

**LA PRESENTE GARANTIA CUBRIRA EXCLUSIVAMENTE AL COMPRADOR LOS SERVICIOS DESCRITOS ANTERIORMENTE, BROAN NO SE HACE RESPONSABLE DE DANOS PRODUCIDOS DE MANERA ACCIDENTAL O RELACIONADOS CON EL USO INCORRECTO DEL PRODUCTO O SU FUNCIONAMIENTO.**

Algunos países no permiten la exclusión o limitación de los daños producidos de manera accidental, si es así en su caso, esta limitación arriba indicada podría no aplicarse. Esta garantía le da derechos legales específicos y podría también disponer de otros derechos que varían de país a país. Esta garantía supera otras garantías dadas con anterioridad. Para disfrutar de la garantía usted deberá a) Avisar a la dirección abajo indicada ó bien llamar por teléfono al número 1-800-637-1453 b) Dar el número de serie del modelo correspondiente o bien una descripción de la parte averiada, c) Descripción del defecto en el producto o bien en una de sus partes. Para requerir un servicio en garantía debe presentar el justificante con la fecha de la compra.

**BEST BY BROAN, P.O. Box 140 Hartford, Wisconsin 53027**

# SERVICE PARTS

## MODEL WM24I

KEY NO.	PART NO.	DESCRIPTION
5	B08087198	Filter Sentry
6	B02000191	Filter Spring
6	B08092170	Attachment Bracket
9	B08087165	Grease Filter
14	B02300233	Motor Capacitor
16	BE3348018	Electrical Box Support
19	B03295005	Transformer Protection
26	B02300891	Halogen Lamp Bulb
30	B03294816	Controls Box Cover
37	B02300804	Heat Sentry
38	B03292357	Electrical Box
39	B03294033	Electrical Box Cover
42	B03295001	Filter Support
48	B02310272	Motor
49	B03295071	Blower Wheel
53	B03204177	Rubber Washer
56	B03292465	Discharge Collar
57	B02011004	Damper Flap
62	BE3404034	Support Blower
67	B02300384	Controls Cable
67	B02300388	Sentry Cable
68	B02011258	Right Blower Housing
69	B02011259	Left Blower Housing
92	BE3348019	Controls Support
112	B08086673	Sentry Board
115	BE3334250	Wiring Box
116	BE3334252	Wiring Box Cover
144	B03292287	Wire Clamp
165	B03295008	Motor Capacitor Box
166	B08086753	Wiring Board
195	BE3348024	Microswitch Support
208	B02300729	Transformer
228	B08080289	Controls Board
234	B03294815	Controls Box
238	B03294818	Left Button
241	B03294817	Right Button
252	B03292847	Ring Sentry
252	B03292349	Microswitch Box
252	B03292846	Sentry Box
253	B02300620	Microswitch
254	B03292350	Microswitch Box Cover
332	B03114979	Brackets
404	B08092132	Aluminum Blower Cover
404	B08092290	Red Blower Cover
404	B08092297	Blue Blower Cover
404	B08092333	Black Blower Cover
462	BE3248026	Cover
474	B02300733	Halogen Lamp Housing
477	B03295006	Transformer Protection Cover
998	B080810765	Hardware Package
998	B080810621	Hardware Package
998	B080810742	Aluminum Decorative Flue (9' ceiling)
998	B080812419	Red Decorative Flue (9' ceiling)
998	B080812422	Blue Decorative Flue (9' ceiling)
998	B080812426	Black Decorative Flue (9' ceiling)
*	B06002102	Blower Assembly (Includes Key Nos. 69, 68, 48, 49, 53, 42, 62, 14, 165)
*	B06108512	Switch Assembly (Includes Key Nos. 228, 234, 30, 241, 238)
-	B03300502	Non-ducted recirculation filter
-	B02300782	Fuse
-	B02300674	Fuse holder

\* Not shown assembled.

# LISTE PIECES DE RECHANGE

## MODELE WM24I

KEY NO.	PART NO.	DESCRIPTION
5	B08087198	Filtre capteur
6	B02000191	Ressort du filtre
6	B08092170	Bride de fixation
9	B08087165	Filtre anti-graisse
14	B02300233	Condensateur
16	BE3348018	Plaque de l'installation électrique
19	B03295005	Protection transformateur
26	B02300891	Lampe halogène
30	B03294816	Couvercle boîte commandes
37	B02300804	Capteur
38	B03292357	Boîte installation électrique
39	B03294033	Couvercle boîte installation électrique
42	B03295001	Support du filtre
48	B02310272	Moteur
49	B03295071	Turbine du moteur
53	B03204177	Pare chocs
56	B03292465	Collier d'évacuation
57	B02011004	Clapet anti-retour
62	BE3404034	Support moteur
67	B02300384	Cable commandes
67	B02300388	Cable capteur
68	B02011258	Cocue moteur droite
69	B02011259	Cocue moteur gauche
92	BE3348019	Support commandes
112	B08086673	Circuit imprimé capteur
115	BE3334250	Boîte de connexion électrique
116	BE3334252	Couvercle boîte de connexion électrique
144	B03292287	Serre cable
165	B03295008	Boîte condensateur
166	B08086753	Circuit imprimé installation électrique
195	BE3348024	Support minirupteur
208	B02300729	Transformateur
228	B08080289	Circuite commandes
234	B03294815	Boîte commandes
238	B03294818	Bouton gauche
241	B03294817	Bouton droite
252	B03292847	Bague capteur
252	B03292349	Boîte minirupteur
252	B03292846	Boîte capteur
253	B02300620	Minirupteur
254	B03292350	Couvercle boîte minirupteur
332	B03114979	Bride
404	B08092132	Couvercle moteur aluminium
404	B08092290	Couvercle moteur rouge
404	B08092297	Couvercle moteur bleu
404	B08092333	Couvercle moteur noir
462	BE3248026	Couvercle
474	B02300733	Boîte lampe halogène
477	B03295006	Couvercle protection transformateur
998	B080810765	Accessoires de fixation
998	B080810621	Accessoires de fixation
998	B080810742	Tuyau décoratif en aluminium (pour plafond de 9')
998	B080812419	Tuyau décoratif rouge (pour plafond de 9')
998	B080812422	Tuyau décoratif bleu (pour plafond de 9')
998	B080812426	Tuyau décoratif noir (pour plafond de 9')
*	B06002102	Ensemble moteur (Comprenant n. 69, 68, 48, 49, 53, 42, 62, 14, 165)
*	B06108512	Ensemble commandes (Comprenant n. 228, 234, 30, 241, 238)
-	B03300502	Filtre à charbon
-	B02300782	Fusible
-	B02300674	Porte-fusible

\* Illustrées séparément.

# LISTA DE PIEZAS DE RECAMBIO

## MODELO WM24I

KEY NO.	PART NO.	DESCRIPTION
5	B08087198	Filtro sensor
6	B02000191	Muelle del filtro
6	B08092170	Estribo enganche
9	B08087165	Filtro antigrasa
14	B02300233	Condensador
16	BE3348018	Placa del sistema eléctrico
19	B03295005	Protección transformador
26	B02300891	Lámpara halógena
30	B03294816	Tapa de la caja mandos
37	B02300804	Sensor
38	B03292357	Caja base de instalación eléctrica
39	B03294033	Tapa de la caja base de instalación eléctrica
42	B03295001	Soporte filtro
48	B02310272	Motor
49	B03295071	Manilla del motor
53	B03204177	Almohadilla antivibraciones
56	B03292465	Casquillo
57	B02011004	Válvula de no retorno
62	BE3404034	Soporte motor
67	B02300384	Cable commandes
67	B02300388	Cabos sensor
68	B02011258	Lado derecho del motor
69	B02011259	Lado izquierdo del motor
92	BE3348019	Soporte mandos
112	B08086673	Base sensor
115	BE3334250	Caja de conexión eléctrica
116	BE3334252	Tapa de la caja de conexión eléctrica
144	B03292287	Sujeta cabos
165	B03295008	Caja condensador
166	B08086753	Base para instalación eléctrica
195	BE3348024	Soporte microinterruptor
208	B02300729	Transformador
228	B08080289	Base de los mandos
234	B03294815	Caja de los mandos
238	B03294818	Mando izquierdo
241	B03294817	Mando derecho
252	B03292847	Arandela sensor
252	B03292349	Caja microinterruptor
252	B03292846	Caja sensor
253	B02300620	Microinterruptor
254	B03292350	Tapa de la caja microinterruptor
332	B03114979	Estribo
404	B08092132	Tapa motor aluminio
404	B08092290	Tapa motor rocho
404	B08092297	Tapa motor blue
404	B08092333	Tapa motor negro
462	BE3248026	Tapa
474	B02300733	Caja de la lámpara halógena
477	B03295006	Tapa protección transformador
998	B080810765	Accesorios para el montaje
998	B080810621	Accesorios para el montaje
998	B080810742	Tubo decorativo aluminio (por techos 9')
998	B080812419	Tubo decorativo rocho (por techos 9')
998	B080812422	Tubo decorativo blue (por techos 9')
998	B080812426	Tubo decorativo negro (por techos 9')
*	B06002102	Conjunto motor (Incluye los N. 69, 68, 48, 49, 53, 42, 62, 14, 165)
*	B06108512	Conjunto mandos (Incluye los N. 228, 234, 30, 241, 238)
-	B03300502	Filtro al carbón
-	B02300782	Fusible
-	B02300674	Portafusible

\* Se encuentran por separado.

# SERVICE PARTS - LISTE PIECES DE RECHANGE - LISTA DE PIEZAS DE RECAMBIO

## MODEL WM24I

