



Tel: 714-891-7797
 Fax: 714-891-2478
 Toll Free: 800-822-8855
 www.calfaucets.com

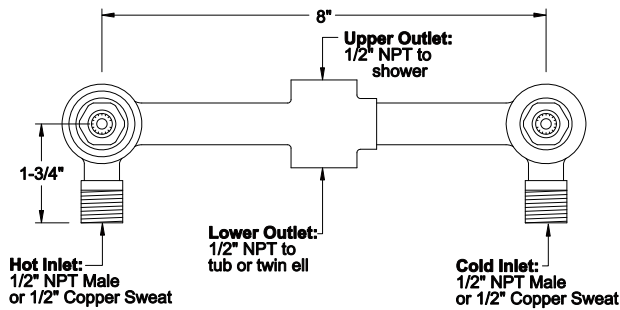
2-WAY VALVE

INSTALLATION INSTRUCTIONS

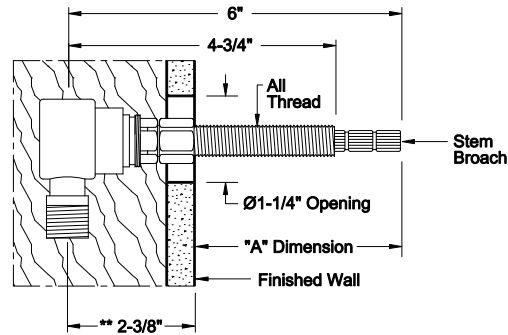
2-VR

California Faucets reserves the right to make modification and specification changes at any time. Please visit www.calfaucets.com for most current technical data.

Front View



Side View



"A" DIMENSION

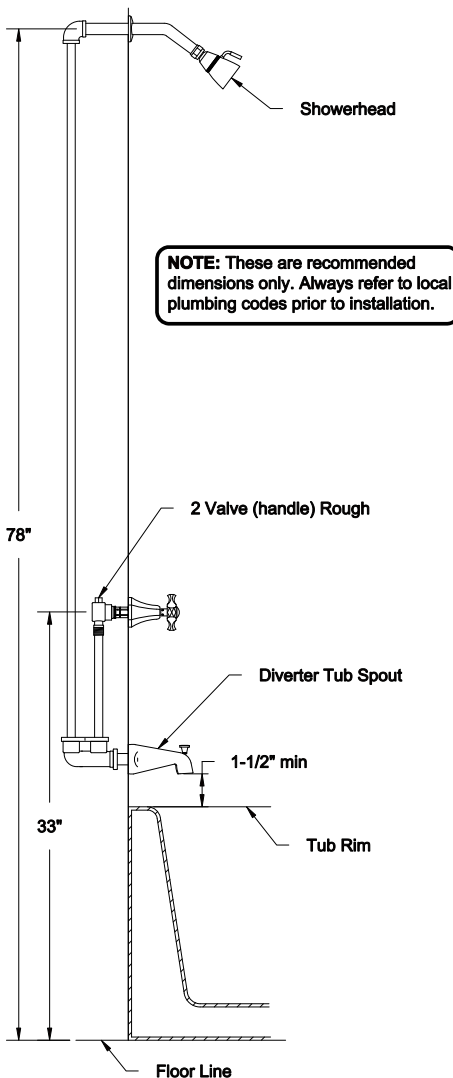
"A" Dimension is from finished wall to tip of stem broach

Handle Series #	"A"
33	2-3/8"
34	2-3/8"
35	2-3/8"
36	2-3/8"
38	2-5/8"
40	2-5/8"
42	2-5/8"
43	2-1/4"
46	2-1/2"
47	2-1/2"
50	2-1/4"
51	2-1/2"
52	2-5/8"
53	2-1/4"
55	2-5/8"
57	2"
58	2-5/8"
59	2-5/8"
60	2-1/4"
61	2-1/4"
62	1-7/16"
63	3"
64	2-5/8"
65	2-1/8"
66	2-1/8"
67	2-1/4"
68	2-3/8"
69	2-3/8"
**71	1"
**72	1"
**73	1"

NOTE: In some cases, it may be necessary to TIGHTEN cartridge to achieve desired handle alignment. Cartridge shall be tightened in a clockwise direction only. DO NOT loosen the cartridge. Preset factory torque setting of 14 ft-lbs min. MUST be maintained to prevent possible failure and/or water damage.

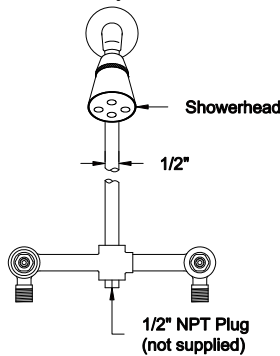
NOTE: When fitting handle it may be necessary to shorten broach stem and/or all thread to eliminate gap between handle & escutcheon.

****NOTE:** For Series #71, 72 & 73 valve rough must be set back a minimum of 2-3/8" from finished wall surface to center of inlets.

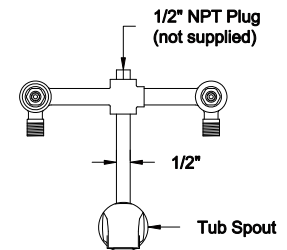


NOTE: These are recommended dimensions only. Always refer to local plumbing codes prior to installation.

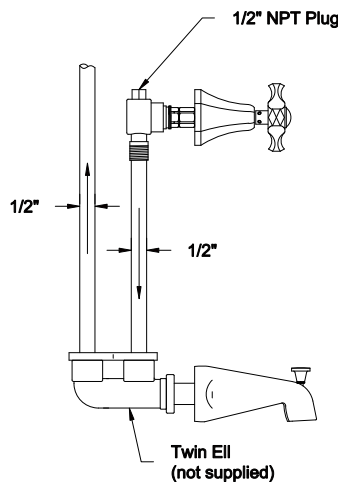
Shower only Installation



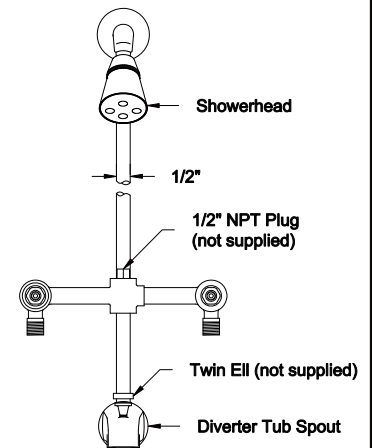
Tub only Installation



Twin Ell Installation



Tub & Shower Installation (requires twin ell not supplied)



IMPORTANT CLEANING NOTICE Please refer to *Finish Care Instructions* for complete cleaning information. Wipe frequently with a soft, damp cloth. **Never use acids, harsh abrasives or detergents.**