



Freezer FFN15M5H W

Manual Defrost
15 Cu. Ft. Chest



Product Dimensions

Height (Including Lid)	35"
Width	48"
Depth	29-1/2"

More Easy-To-Use Features

Adjustable Temp Control

Lid Handle



ENERGY STAR®

Available in:



White
(W)

Signature Features

Lock with Pop-Out Key

Key is automatically ejected upon locking for maximum security.

Power-On Indicator Light

Know at a glance that your freezer is working.

Bright Lighting

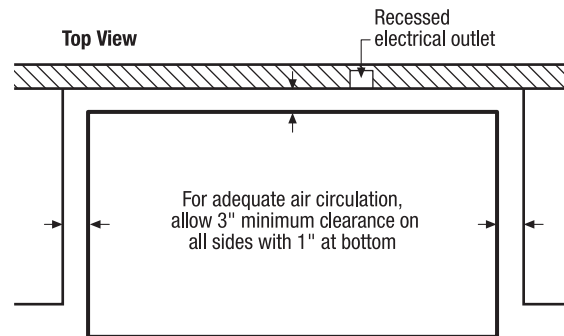
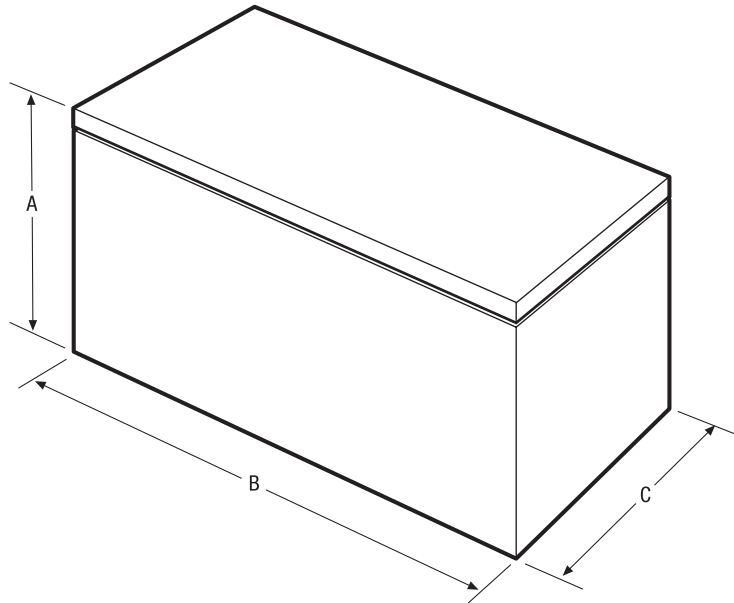
Our bright lighting makes it easy to see what's inside

Defrost Water Drain

Use the drain to conveniently remove water during defrosting.

Features	
Defrost	Manual
Adjustable Temperature Control	Yes
Interior Lighting	Bright
Store-More™ Removable Baskets	2 Upper, 2 Lower
Food Organization System	
Defrost Water Drain	Yes
Lid Handle	Yes
Lock with Pop-Out Key	Yes
Temp Alarm System	
Power-On Light	Yes
Certifications	
ENERGY STAR®	Yes
CSA Rating	Household
Specifications	
Total Capacity (Cu. Ft.)	14.9
Annual Energy (kWH)	357
Annual Energy Cost (.1065/kWH)	\$38
Power Supply Connection Location	Bottom Rear
Voltage Rating	115V/60Hz/5A
Connected Load (kW rating) @ 115 Volts ¹	.6
Amps @ 115 Volts	5
Minimum Circuit Required (Amps)	15
Shipping Weight (Approx.)	161 Lbs.

¹An electrical supply with grounded three-prong receptacle is required. The power supply circuit must be installed in accordance with current edition of National Electrical Code (NFPA 70) and local codes & ordinances.



NOTE: For planning purposes only. Always consult local and national electric codes. Refer to Product Installation Guide for detailed installation instructions on the web at frigidaire.com.



Product Dimensions	
A - Height (Including Lid)	35"
B - Width	48"
C - Depth	29-1/2"
D - Height with Lid Open 90°	60-13/16"

Accessories information available on the web at frigidaire.com