



Standard Features & Accessories

All models include

- Capacity—18.2 cu. ft. (515.1 L)
 - 84"H./24"D.
- ProChill™ Temperature Management System
 - Variable-speed DC Overdrive™ Compressor is one of the quietest, most technologically advanced compressors available
 - Electronic controls maintain the temperature selection within 1°F
 - Multi-channel airflow system and Odor Eliminator™ Evaporator removes odors and excess humidity
- Adjustable Cold Zone™ drawer with precision ball-bearing glides
 - Separate temperature control can be set for produce or fresh meat storage
 - Quick chill option chills foods and beverages in minutes
- Adjustable Humidity Zone™ drawers with precision ball-bearing glides
 - Humidity can be set high for leafy greens or low for fruits and vegetables with skins
- Four adjustable, full-width, tempered glass spillproof shelves
- Two conveniently located deli drawers with full-extension precision ball-bearing glides
- Two in-the-door sealed dairy compartments with covers
- Four patented adjustable aluminum door bins with tempered glass fronts
- Top-shelf provides quick chill-down area
- Super Clog-Resistant™ Condenser is maintenance-free under normal use
- Tru-Flush™ design
 - Allows Professional Integrated and Custom Panel models to fit flush into 24" deep installation cutout
- Open door alarm sounds and glows to warn that door has been ajar for three minutes
- Adjustable door stops standard—90°, 110°, or 120° swing
- Sabbath Mode
- For installation of two units side-by-side, a separate grille kit accessory must be purchased
- Must be ordered right or left hinge. (As you face unit, RIGHT has hinge on right side and handle on left side; LEFT has hinge on left side and handle on right side.)

Model Options



VCRB530/VIRB530

Professional/Professional Integrated

- FINISH DETAILS FOR VCRB/VIRB MODELS**
- Stainless Steel (SS), Black (BK), White (WH), Metallic Silver (MS), Graphite Gray (GG), Stone Gray (SG), Taupe (TP), Biscuit (BT), Cotton White (CW), Oyster Gray (OG), Golden Mist (GM), Lemonade (LE), Sage (SA), Mint Julep (MJ), Sea Glass (SE), Iridescent Blue (IB), Viking Blue (VB), Pumpkin (PM), Racing Red (RR), Apple Red (AR), Burgundy (BU), Plum (PL), Chocolate (CH), and Cobalt Blue (CB).
 - Finish codes designate door front. Stainless steel upper grille, side trim, and handle (with chrome-plated brackets); black lower kickplate.
 - Brass Trim Option (BR)—nameplate, handle/brackets, and side trim. Brass components have a durable protective coating for maintenance-free normal use.



DFRB530

Custom Front

- FINISH DETAILS FOR DFRB MODEL**
- Handle not included—opt for custom handle, or purchase a Viking Professional Series or Designer Series handle kit (see **Installation Notes & Accessories**).
 - See **Custom Panels** section for more information and additional specifications.

ORDERING INSTRUCTIONS

First specify model number, followed by hinge preference ("R" for right or "L" for left), and then color code (VCRB530**RSS**). If ordering optional brass trim, specify code at end (VCRB530**RSSBR**).





REFRIGERATION

Quiet Cool™ Built-In 30"W. All Refrigerator



★ Please see Installation Notes & Accessories for important information, including panel, grille, trim, and handle kits.



ALL MODELS

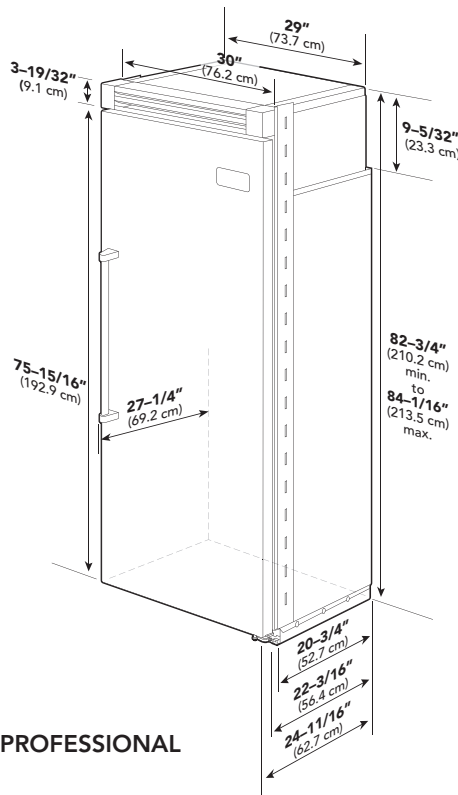
Star-K Kosher Certification for use on the Jewish Sabbath or Jewish holidays

Dimensions & Specifications

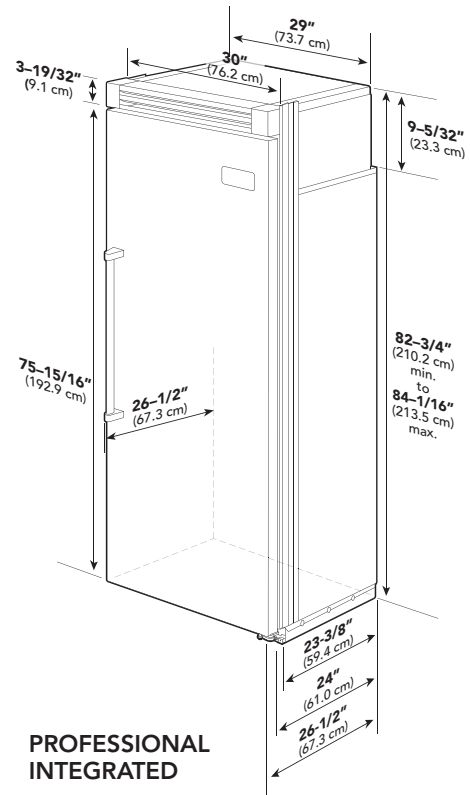
PRODUCT DIMENSIONS



VCRB530/VIRB530
Professional/
Professional Integrated



PROFESSIONAL



PROFESSIONAL
INTEGRATED

| | VCRB530 | VIRB530 |
|------------------------------|---|-------------------|
| Overall width | 30" (76.2 cm) | |
| Overall height (from bottom) | 82-3/4" (210.2 cm) min. to 84-1/16" (213.5 cm) max. | |
| Overall depth (from rear) | | |
| To front edge of side trim | 22-3/16" (56.4 cm) | 23-3/8" (59.4 cm) |
| To front of top grille | 24-11/16" (62.7 cm) | 24" (61.0 cm) |
| To front of handle | 27-1/4" (69.2 cm) | 26-1/2" (67.3 cm) |
| Approx. ship weight | 425 lbs. (193.2 kg) | |





REFRIGERATION

Quiet Cool™ Built-In 30"W. All Refrigerator



★ Please see **Installation Notes & Accessories** for important information, including panel, grille, trim, and handle kits.



ALL MODELS

Star-K Kosher Certification for use on the Jewish Sabbath or Jewish holidays

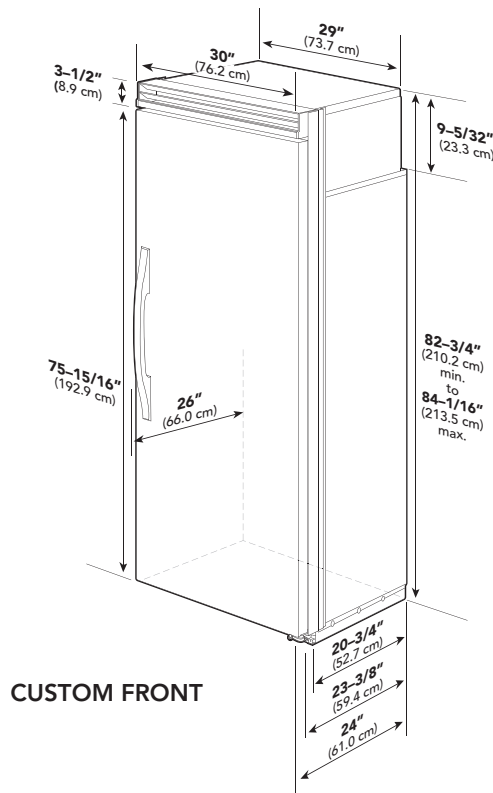
Dimensions & Specifications

PRODUCT DIMENSIONS



DFRB530
Custom Front

See **Custom Panels** section for more information and additional specifications.



CUSTOM FRONT

| DFRB530 | |
|------------------------------|--|
| Overall width | 30" (76.2 cm) |
| Overall height (from bottom) | 82-3/4" (210.2 cm) min. to 84-1/16" (213.5 cm) max. |
| Overall depth (from rear) | |
| To front edge of side trim | 23-13/16" (60.5 cm) |
| To front of top grille | 24-3/4" (62.9 cm) |
| To front of handle | Varies |
| Approx. ship weight | 425 lbs. (193.2 kg) |





REFRIGERATION

Quiet Cool™ Built-In 30"W. All Refrigerator



Dimensions & Specifications

DOOR SWING

- Adjustable door stops standard—90°, 110°, or 120° swing

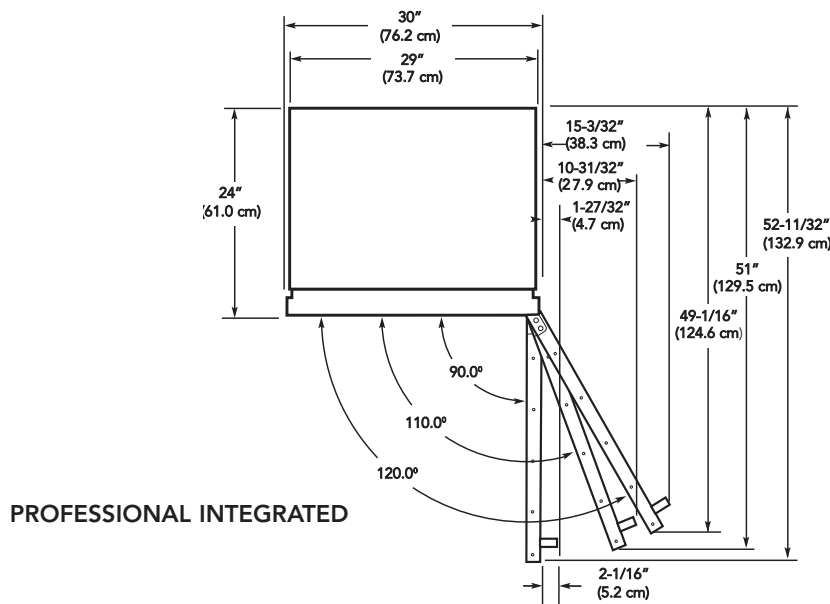
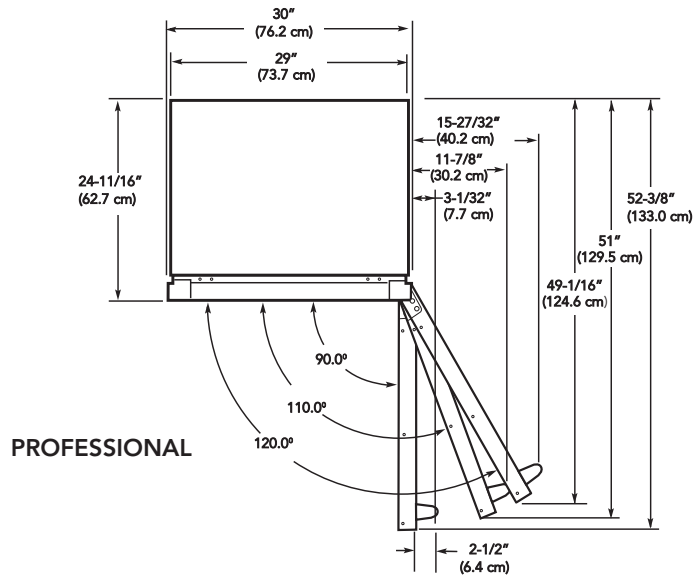


VCRB530/VIRB530
Professional/
Professional Integrated



DFRB530
Custom Front

See **Custom Panels** section for more information and additional specifications.





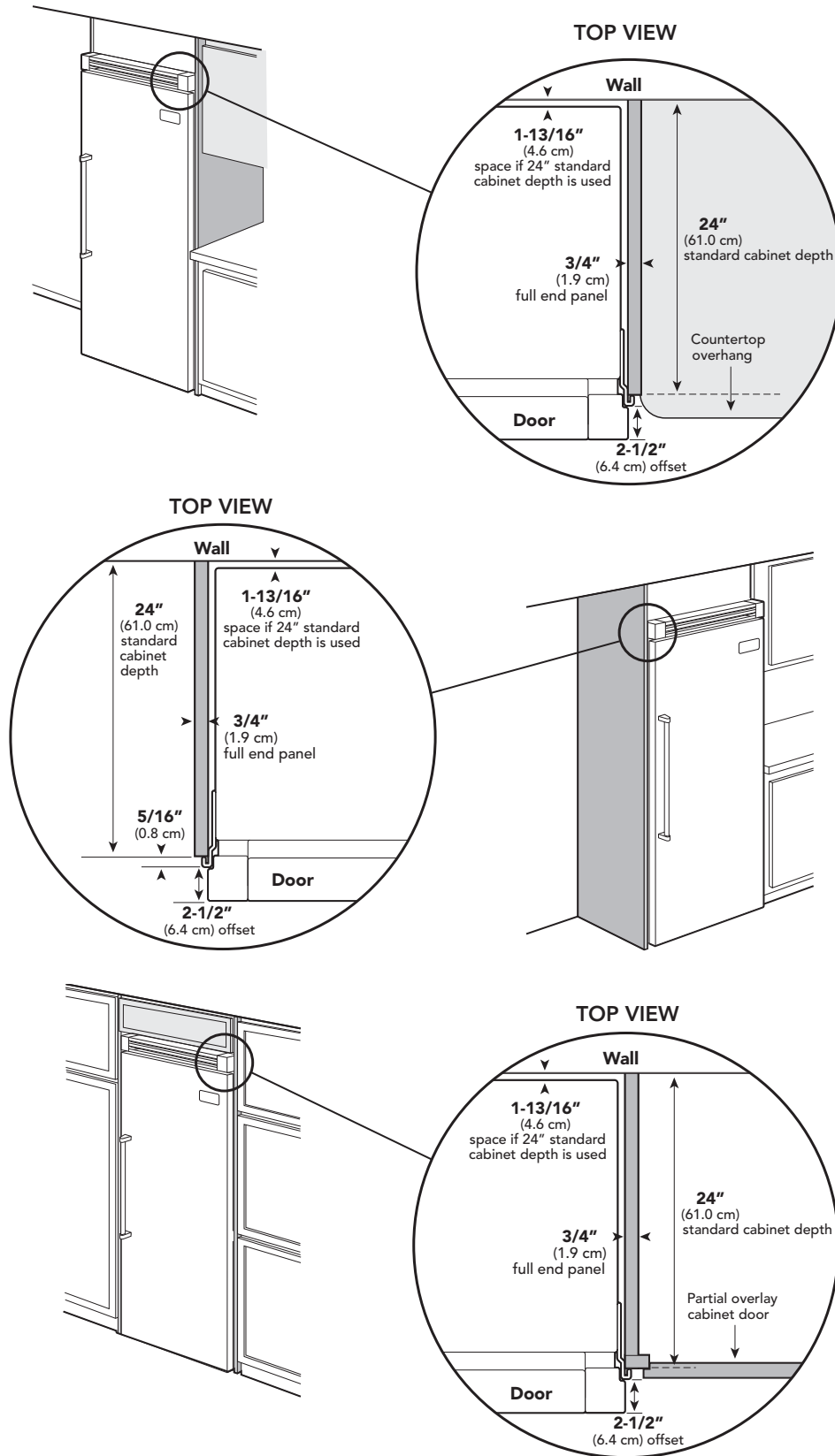
REFRIGERATION

Quiet Cool™ Built-In 30"W. All Refrigerator



Dimensions & Specifications

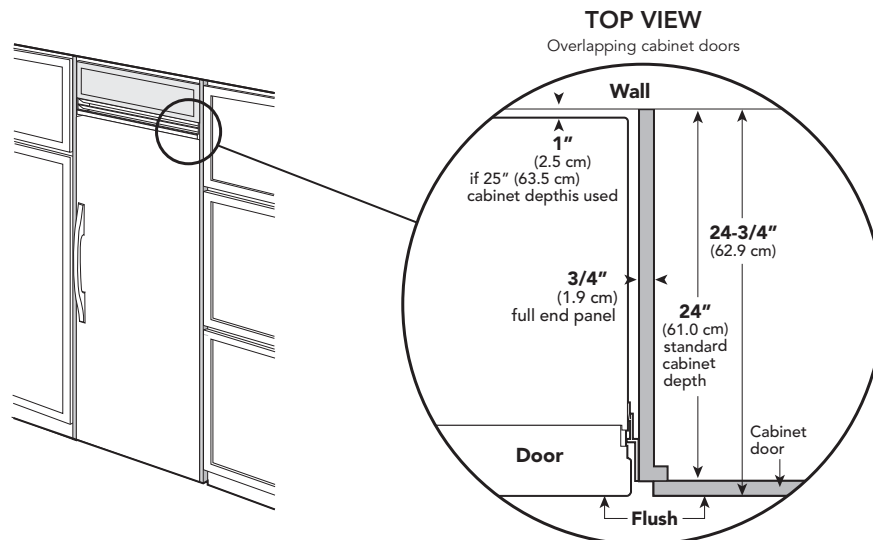
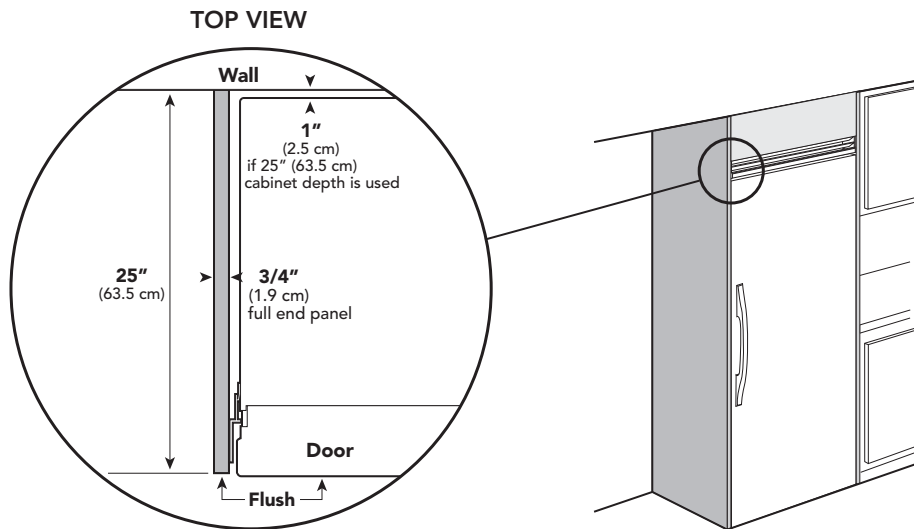
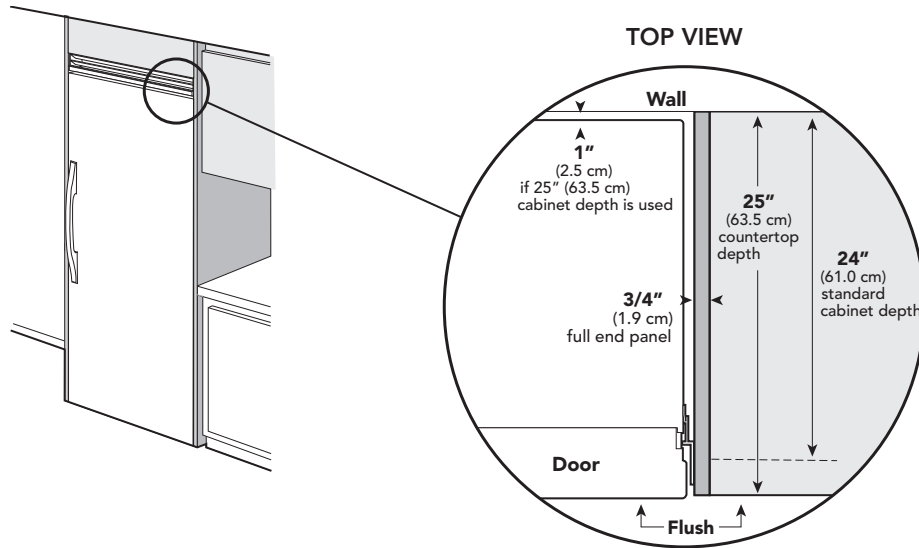
CLEARANCE DIMENSIONS—PROFESSIONAL





Dimensions & Specifications

CLEARANCE DIMENSIONS—PROFESSIONAL INTEGRATED





UTILITY REQUIREMENTS



GAS
Not applicable



- ELECTRICAL**
- Three-wire cord with grounded three-prong plug attached to product
 - 115 VAC/60 Hz; 15 amp dedicated circuit
 - Maximum amp usage—5.7
 - Estimated energy usage—404 kWh/year



PLUMBING
Not applicable

Installation Requirements

ACCESS REQUIREMENTS – Single Installation

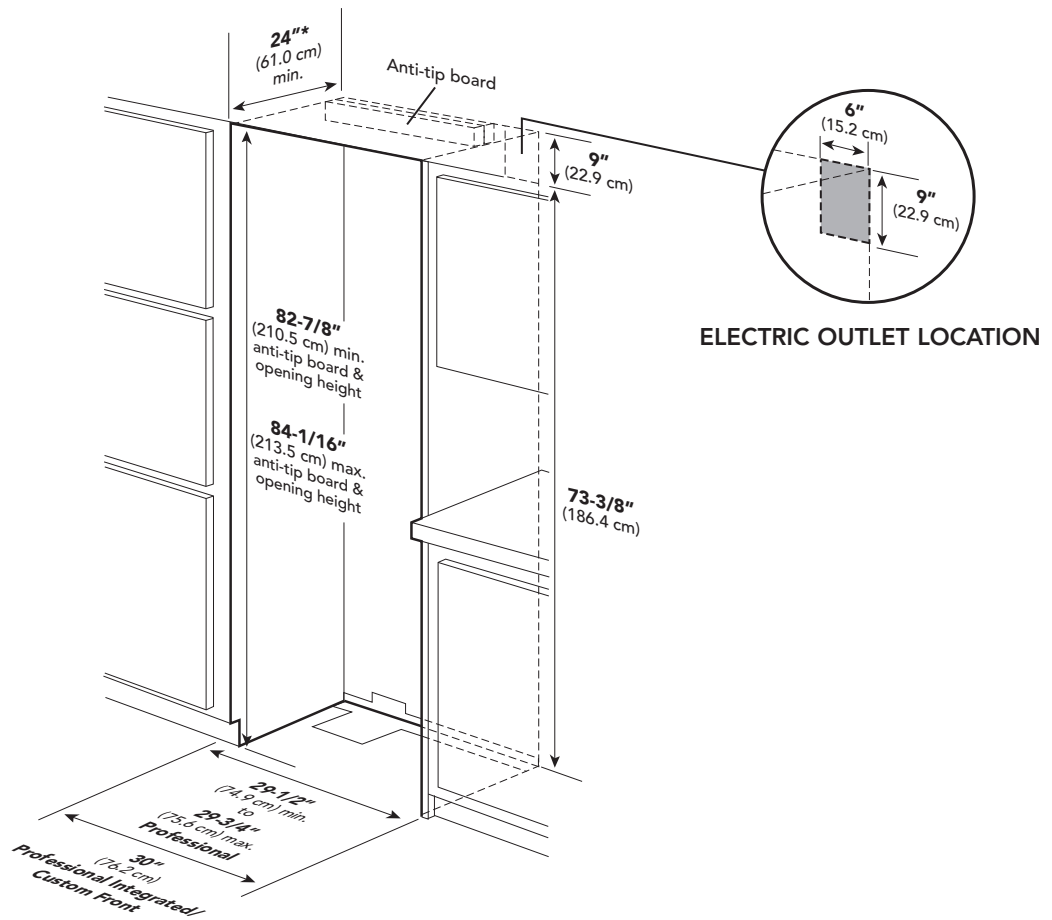


VCRB530/VIRB530
Professional/
Professional Integrated



DFRB530
Custom Front

See **Custom Panels** section for more information and additional specifications.



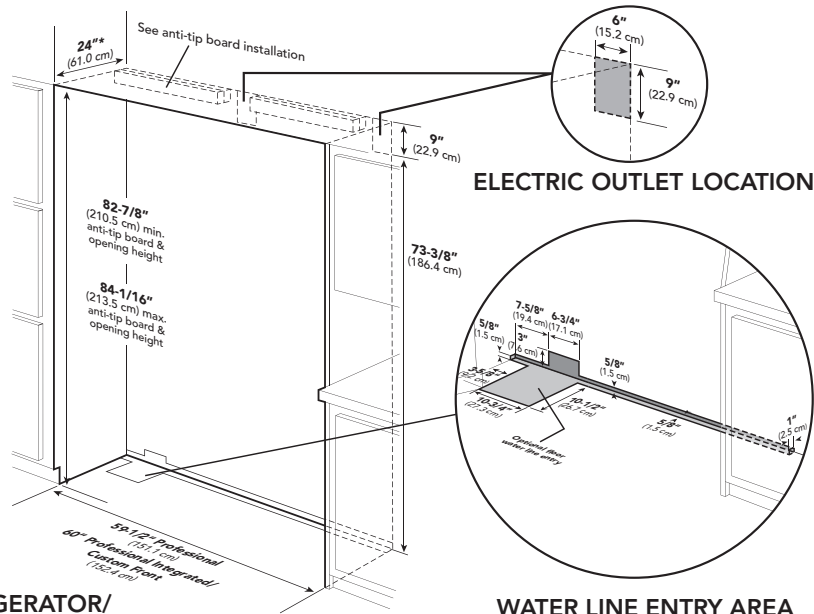
*Custom front models fit flush in 25"-deep (63.5 cm) cabinet openings. They can be installed in standard 24"-deep openings. The door faces and top grille will protrude 3/4" (1.9 cm) into the room.

| | VCRB530 | VIRB530 | DFRB530 |
|---------------|--|---------------|---------------|
| Cutout width | 29-1/2" (74.9 cm) min. to 29-3/4" (75.6 cm) max. | 30" (76.2 cm) | 30" (76.2 cm) |
| Cutout height | 82-7/8" (210.5 cm) min. to 84-1/16" (213.5 cm) max. | | |
| Cutout depth | 24" (61.0 cm) min.* | | |

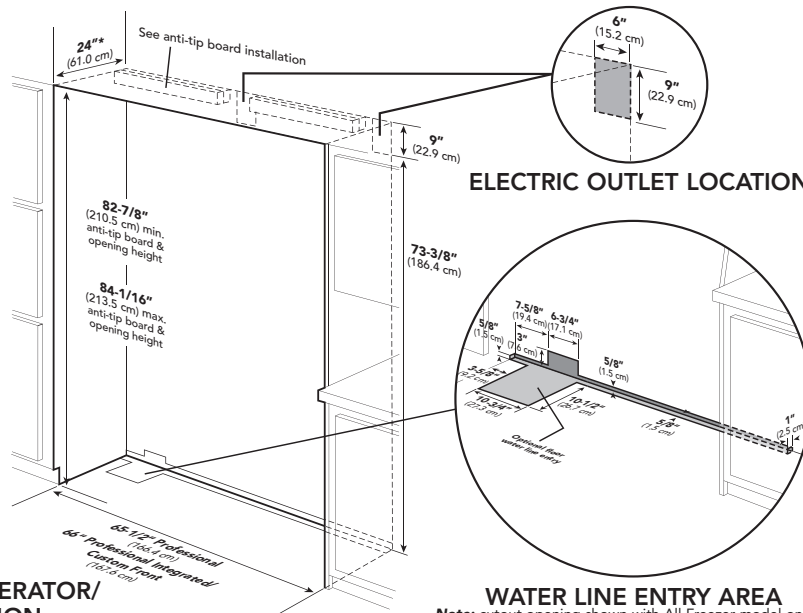


Installation Requirements

ACCESS REQUIREMENTS – Dual Installation



30"W./30"W. REFRIGERATOR/ FREEZER COMBINATION



30"W./36"W. REFRIGERATOR/ FREEZER COMBINATION

*Custom front models fit flush in 25"-deep (63.5 cm) cabinet openings. They can be installed in standard 24"-deep openings. The door faces and top grille will protrude 3/4" (1.9 cm) into the room.

| | VCRB530/VCFB530 | VIRB530/VIFB530 | DFRB530/DFFB530 |
|---------------|---|-----------------|-----------------|
| Cutout width | 59-1/2" (151.1 cm) | 60" (152.4 cm) | 60" (152.4 cm) |
| Cutout height | 82-7/8" (210.5 cm) min. to 84-1/16" (213.5 cm) max. | | |
| Cutout depth | 24" (61.0 cm) min.* | | |

| | VCRB530/VCFB536 | VIRB530/VIFB536 | DFRB530/DFFB536 |
|---------------|---|-----------------|-----------------|
| Cutout width | 65-1/2" (166.4 cm) | 66" (167.6 cm) | 66" (167.6 cm) |
| Cutout height | 82-7/8" (210.5 cm) min. to 84-1/16" (213.5 cm) max. | | |
| Cutout depth | 24" (61.0 cm) min.* | | |



REFRIGERATION

Quiet Cool™ Built-In 30"W. All Refrigerator



★ Installation Notes & Accessories

Side Panel Kits

- Stainless Steel (SS)
- Panels provide finished, freestanding look; unit must still be secured to the wall
- Kit includes one panel and installation hardware

| Model | Description | Approx. ship wt. lbs. (kg) |
|--------|---------------------------------------|----------------------------|
| PSSPL2 | Professional side panel left (VCRB) | 45 (20.2) |
| PSSPR2 | Professional side panel right (VCRB) | 45 (20.2) |
| DSSPL2 | Designer side panel left (VIRB/DFRB) | 45 (20.2) |
| DSSPR2 | Designer side panel right (VIRB/DFRB) | 45 (20.2) |

Side Panel Hardware Kit

- For use with Designer built-in refrigerator/freezers
- Hardware allows installation of custom side panels
- Kit includes brackets, screws, and installation instructions to mount panels on left and right side

| Model | Description | Approx. ship wt. lbs. (kg) |
|--------|---------------------|----------------------------|
| SPHKDS | Side panel hardware | 3 (1.4) |

Top Panel Kit

- Stainless Steel (SS)
- Panel provides finished, freestanding look; unit must still be secured to the wall
- Kit includes one panel and installation hardware

| Model | Description | Approx. ship wt. lbs. (kg) |
|--------|-----------------|----------------------------|
| TOP-30 | 30"W. top panel | 21 (9.5) |

Top Grille Kits

- Stainless Steel (SS)
- 60"W. top grille kit—for use with installation of two 30"W. all refrigerators/all freezers side-by-side
- 66"W. top grille kit—for use with installation of one 30"W. and one 36"W. all refrigerators/all freezers side-by-side
- Grille creates a single unit look
- Kit includes one full-length grille, center cabinet trim connector, and installation hardware

| Model | Description | Approx. ship wt. lbs. (kg) |
|----------|--|----------------------------|
| PGK60-SS | Professional 60"W. grille (for two VCRB/VCFB units) | 21 (9.5) |
| PGK66-SS | Professional 66"W. grille (for two VCRB/VCFB units) | 23 (10.4) |
| IGK60-SS | Professional Integrated 60"W. grille (for two VIRB/VIFB units) | 21 (9.5) |
| IGK66-SS | Professional Integrated 66"W. grille (for two VIRB/VIFB units) | 23 (10.4) |
| DGK60-SS | Designer 60"W. grille (for two DFRB/DFFB units) | 21 (9.5) |
| DGK66-SS | Designer 66"W. grille (for two DFRB/DFFB units) | 23 (10.4) |

Center Trim Kit

- Stainless Steel (SS)
- Kit includes center cabinet trim connector to install two custom front units with wood top grille

| Model | Description | Approx. ship wt. lbs. (kg) |
|---------|-------------|----------------------------|
| FCTK-SS | Center trim | 5 (2.3) |





REFRIGERATION

Quiet Cool™ Built-In 30"W. All Refrigerator



Handle Kits

- For use with custom front refrigerators
- For use on locally supplied custom front panels
- Handles allow refrigerators/freezers with custom front panel to coordinate with other Professional and Designer products
- Kit includes handle(s) and installation hardware

| Model | Description | Approx. ship wt. lbs. (kg) |
|------------|--|----------------------------|
| PHK28-SS | Professional one handle (Stainless Steel) | 7 (3.2) |
| PHK28-BR | Professional one handle (Brass) | 7 (3.2) |
| DHK25-SS | Designer one handle (Stainless Steel) | 7 (3.2) |
| DHK25-BR | Designer one handle (Brass) | 7 (3.2) |
| PHKDFS5-SS | Professional two handles (Stainless Steel) | 10 (4.5) |
| PHKDFS5-BR | Professional two handles (Brass) | 10 (4.5) |
| HKFDS-SS | Designer two handles (Stainless Steel) | 10 (4.5) |
| HKFDS-BR | Designer two handles (Brass) | 10 (4.5) |

Compliance Information



WARRANTY SUMMARY*

- Two-year full warranty—complete unit
- Six-year full warranty—sealed refrigeration system
- Twelve-year limited warranty—sealed refrigeration system (includes compressor, condenser, dryer/strainer, evaporator, and connecting tubing)
- Ninety-day limited warranty—cosmetic parts such as glass, painted, and decorative items

*For complete warranty see *Use & Care Guide*. Warranty valid on Viking products shipped within the United States and Canada.

