

# GDF570SGF/SSF

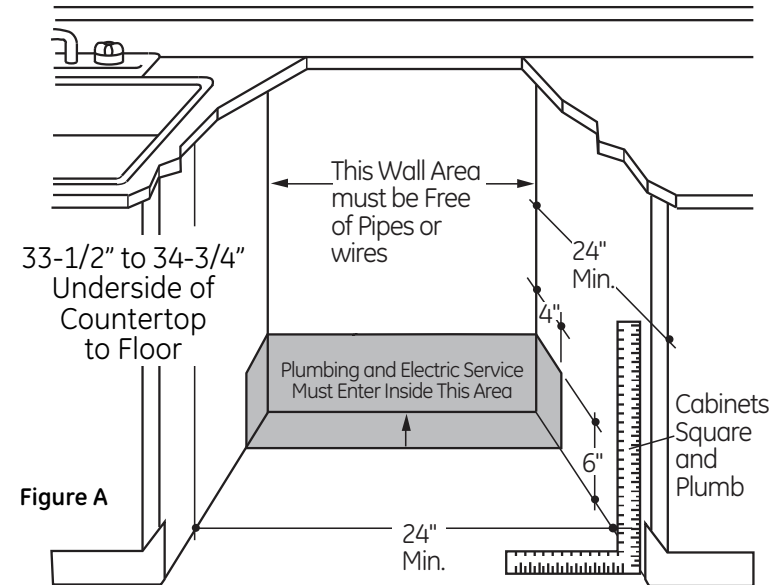
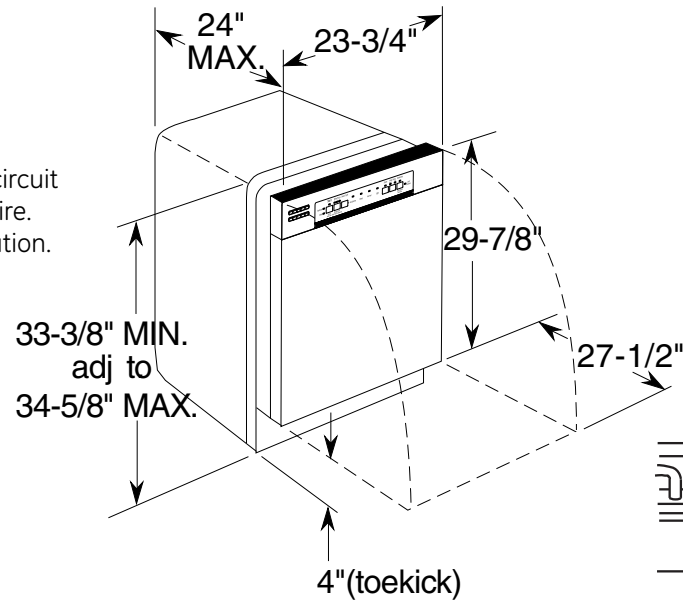
## GE® Dishwasher with Front Controls

### Dimensions and Installation Information (in inches)

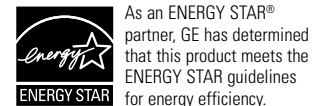
#### Electrical Rating

Voltage AC.....	120
Hertz.....	60
Total connected load amperage.....	7.1
Calrod® heater watts.....	415/800

For use on adequately wired 120-volt, 15-amp circuit having 2-wire service with a separate ground wire. This appliance must be grounded for safe operation.



For answers to your Monogram® Cafe™ Series, Profile™ Series or GE® appliance questions, visit our website at [geappliances.com](http://geappliances.com) or call GE Answer Center® service, 800.626.2000.

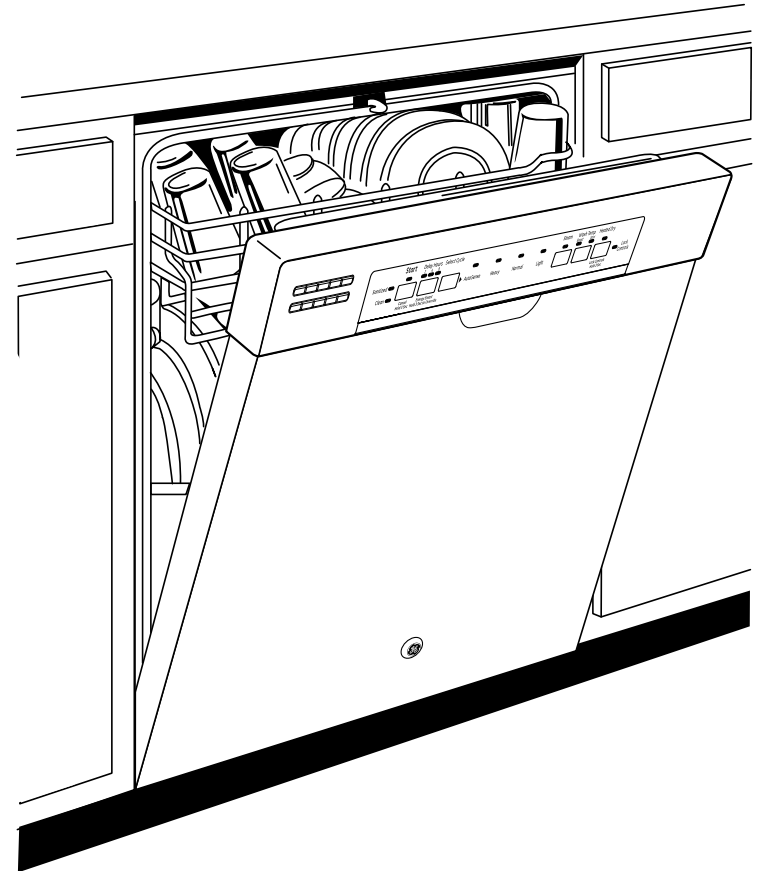


# GDF570SGF/SSF

## GE® Dishwasher with Front Controls

### Features and Benefits

- Full stainless steel interior - Enjoy an attractive appearance and long-lasting durability
  - GE's most advanced wash system - Consistently clean and dry dishes are ensured with GE's most advanced wash system, featuring 65% more wash power.\*
- \*Wash power delivered to each rack. Compared to previous GE models.
- Piranha™ Hard Food Disposer with Removable Filter - To ensure consistently clean items, this stainless steel blade rotates at 3,600 RPM to pulverize food particles and helps to prevent large particles from clogging the wash arms
  - Easy Access Silverware Baskets - To help make loading silverware and small items easy, two baskets offer plenty of space, while Dedicated Silverware Jets ensure table-ready results
  - Easy Touch Adjustable Upper Rack with 2 Stem Safe - Quickly adjust the upper rack 2 inches up or down to accommodate tall glassware and 10 ½" plates with plenty of room in the bottom rack for large platters and cookie sheets
  - 48 dBA with status light on door - A dishwasher this quiet has a status light to let you know it is running
  - Full Extension Smooth Glide Upper Rack - Loading and unloading is smooth and simple with a durable rack that fully extends on ball bearings
  - Model GDF570SSFSS - Stainless steel
  - Model GDF570SGFWW - White
  - Model GDF570SGFBB - Black
  - Model GDF570SGFCC - Bisque



imagination at work



As an ENERGY STAR® partner, GE has determined that this product meets the ENERGY STAR guidelines for energy efficiency.