

Overlay Drawer Panel Preparation and Installation Guide

Overlay Drawer Panel

Drawer panel Preparation

A Full overlay drawer panel completely covers the drawer frame and handle to give you a built-in appearance.

IMPORTANT

- The drawer panel must not weigh more than 10lbs.
- It is important to ensure that all drilled holes are drilled to the correct depth in order to avoid splits in the wood when hardware is installed.
- Appliance will need up to 34 1/2" to the under side of the counter to leave room for leveling adjustments

1. Determine cabinet toe kick height, measure the difference between the surface the appliance will sit on and the bottom of the adjacent cabinetry. Adjust lower panel height according to the height of your cabinetry's Toe Kick.
2. The upper overlay has a fixed width and height, cut the upper overlay to the dimension in the table below.

Upper Overlay

Height	Width
14 3/4"	23 3/4"

3. The lower overlay width is fixed at 23 3/4", the height will vary depending on the height of your cabinetry's Toe Kick. Use the table below to determine the proper height.

Note: Dimensions will vary based on the levelness of the floor. If floor is uneven, cut panel to the next longer dimension and adjust level legs to achieve proper fit

Lower Overlay

Width
23 3/4"

Toe Kick	Height	Toe Kick	Height
3 3/4"	14 3/4"	4 1/4"	14 3/8"
3 7/8"	14 3/4"	4 3/8"	14 1/4"
4"	14 5/8"	4 1/2"	14 1/4"
4 1/8"	14 1/2"		

1. If user-supplied cabinet handles or knobs will be used attach this hardware to the overlay panel at this time.

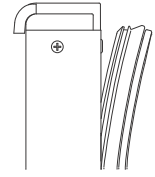
IMPORTANT

User-supplied cabinet handles **MUST** be counter bored to make sure mounting hardware is below surface of overlay panel. Failure to do so can cause damage to overlay panel

Drawer Panel Installation

Removing Existing Drawer Fronts

1. Open drawer. Pull drawer gasket out of groove (top edge of drawer only). Start in the middle and pull outward, moving toward the edge. This may take some force.
2. Remove the two screws located at the ends of the handle. Remove the handle.
3. Remove existing vinyl panel and cardboard spacer. Discard the spacer.
4. Reinstall Handle
5. Repeat for both Drawers



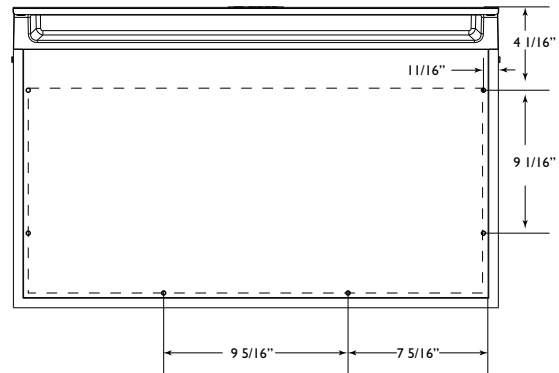
Preparing The Drawer Frame For Overlay

You have received your drawers with or without holes pre-punched into the galvanized steel. If your door does not have the punched holes please use diagram **1A** for hole location dimensions.

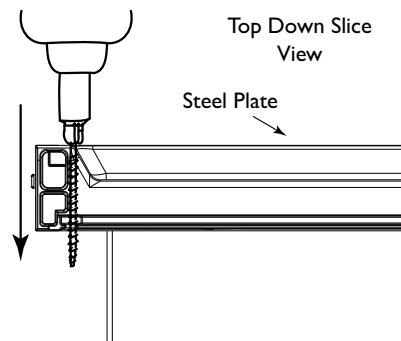
Preparing Steel Insert

1. With the drawer open and braced drill 6 holes into the steel plate and through the frame using the pre-punched holes as a guide. If your panel is not pre-punched, see diagram below for hole locations. Repeat for both drawers

Note: Hole location dimensions will not line up with holes in pre-punched panel.



Note: Be Sure to drill completely through frame.



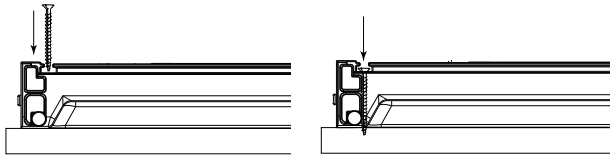
Panel installation

1. Place prepared panel against drawer front and secure with clamps.
2. Be certain the panel is aligned flush with the top of the drawer handle.
3. Using a #6 Drill bit, drill 8 pilot holes into the wood panel 3/8" deep.

IMPORTANT

It is important to ensure that all drilled holes are drilled to the correct depth in order to avoid splits in the wood when hardware is installed.

4. Locate the 8 #6x2" screws provided in the overlay panel install kit.
5. Using a phillips head and #6x2 screws, screw the drawer panel to the drawer front.
6. Be sure the screws force their way past the opening on the gasket channel and sit flush against the bottom of the gasket channel.
7. Repeat for both drawers.

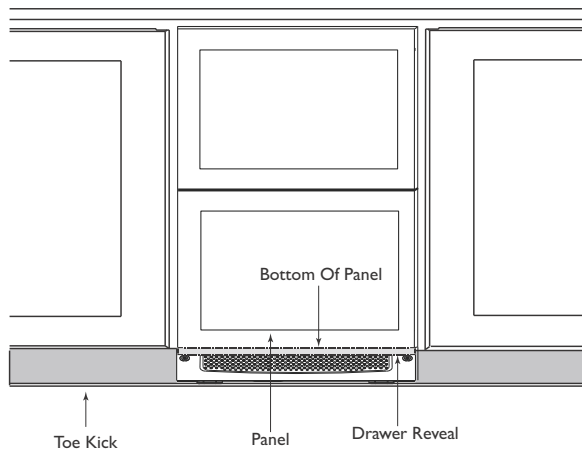


Assembling the Drawer Front

IMPORTANT

The bottom of the lower overlay panel will line up with the bottom of the adjacent cabinetry and may not line up with the bottom of the actual drawer itself. See graphic Below

1. Starting at the corners and working toward the center, push the drawer gasket back into place. Repeat for both drawers.



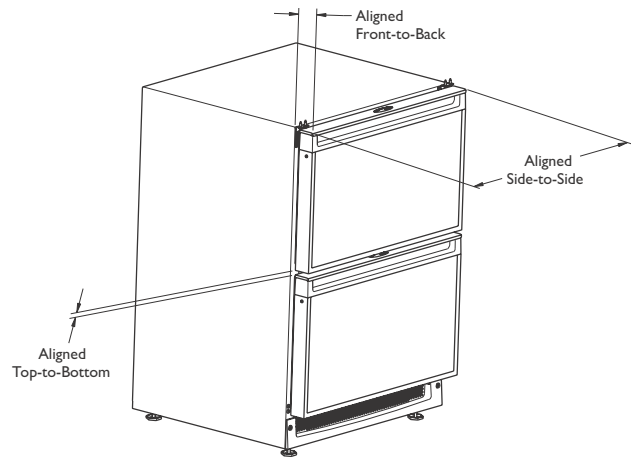
Checking Drawer Alignment

IMPORTANT

Drawer panel and overlay panel must be aligned properly or the drawer will not operate correctly.

The unit's drawers are aligned at the factory before shipment. However, their alignment could have been disturbed during shipment or during overlay panel installation.

See Figure Below. Check each drawer to confirm that it is aligned:



- **Side-to-Side** — When viewed from the top, the drawer front should be square with the sides of the cabinet.
- **Front-to-Back** — When viewed from the side, the drawer front should be straight with the cabinet's sides, not cocked forward or back.
- **Top-to-Bottom** — When viewed from the front, the drawer should be level horizontally.

If either drawer is not aligned, carefully follow instructions provided in the Use & Care Manual to remove that drawer, make the necessary adjustment and re-install the drawer.

SERVICE INFORMATION

If you have a problem with this appliance, your use and care guide has troubleshooting information to help you quickly identify common problems and provide information on possible cause and remedy. Answers to Customers Frequently Asked Questions are available at www.u-line.com/customer/faq.cfm. You may contact U-Line directly:

GENERAL INQUIRIES:

U-Line Corporation
P.O. Box 245040
Milwaukee, Wisconsin 53224-9540 U.S.A.
Phone (414) 354-0300
FAX (414) 354-7905
Email: sales@u-line.com
www.u-line.com

SERVICE ASSISTANCE:

Phone (800) 779-2547
FAX (414) 354-5696
Email: onlineservice@u-line.com
www.u-lineservice.com

PARTS ASSISTANCE:

E-mail: onlineparts@u-line.com

ABOUT U-LINE

Building on 45 years, U-Line has captivated those with an appreciation for the finer things with exceptional design, inspired innovations and attention to even the smallest details.

U-Line is synonymous with premium built-in under counter ice making, refrigeration and wine storage appliances, the U-Line Corporation is committed to luxury under the counter. U-Line is known and respected for unwavering dedication to product innovation, quality and selection. A bold and broad line of models is the product of visionaries in the pursuit of distinctive living environments in the kitchen and spaces beyond.

In 1962, Henry Uihlein founded U-Line Corporation as an outgrowth of Ben-Hur Freezer Company and was the first to develop and patent an automatic stand-alone under counter residential ice maker. His foresight and determination to develop new ideas and to succeed when there were no clear guidelines or solutions are evident today. The Milwaukee, Wisconsin based family operated business provides continuity and vision from which innovations continue to be born.

Going forward, U-Line will continue offering best-in-class products that build on the company's numerous patents and world firsts to guide the under counter industry in realizing its unlimited potential.