



REFRIGERATION

Freestanding 36"W. Side-By-Side Refrigerator/Freezer with Dispenser



Standard Features & Accessories

Models include

- Total capacity—23.1 cu. ft. (653.3 L)
- "Counter depth" design integrates with surrounding cabinetry—fit for replacement of most existing appliances
- Electronic controls with LCD display
 - Water filter status light indicates when water filter needs replacing
 - Max Ice and Max Cool features
 - Door open alarm warns when door has been ajar for five minutes
- Frost-free refrigerator
 - Capacity—14.0 cu. ft. (396.0 L)
 - Temperature adjustable Meat Savor™/Produce Drawer
 - Full-width humidity-adjustable, see-through produce drawer
 - Full-width deli storage drawer with tempered glass spillproof shelf
 - Three slide-out adjustable tempered glass spillproof shelves
- In-the-door dairy compartment with cover
- Three large door gallon door bins, one can storage bin, one shallow door bin, and one fixed position door shelf
- Separate adjustable temperature control for door bin area
- See-through egg bin with carrier holds up to 24 eggs
- Glass butter tray with cover
- Frost-free freezer
 - Capacity—9.1 cu. ft. (257.3 L)
 - Three adjustable wire shelves; one fixed position wire shelf
 - Three slide-out wire baskets
 - Three adjustable door bins; one fixed position door shelf
 - Factory-installed automatic ice maker
 - Adaptive defrost
- Ice and Water Dispenser Features
 - Through-the-door dispenser provides cubed ice, crushed ice, and chilled water
 - Premium water filter provides cleaner water supply by filtering bad tastes, odors, sediment and harmful contaminants
 - Lock prevents unwanted dispensing and allows for easy cleaning
 - Dispenser light can be turned on for continuous use or set to illuminate when dispenser is in use
- Energy Star qualified
- CEE Tier I Super Efficient

Model Options



VCSF136D*
Professional



DDSF136D*
Designer

FINISH DETAILS

- Stainless Steel (SS)
- Finish code designates door fronts. Gray cabinet sides and top.

*Shown throughout with top grille kits. See **Installation Notes & Accessories** for details.





REFRIGERATION

Freestanding 36" W. Side-By-Side Refrigerator/Freezer with Dispenser



★ Please see Installation Notes & Accessories for important information, including water filter, handle, trim and top grille kits.

Dimensions & Specifications

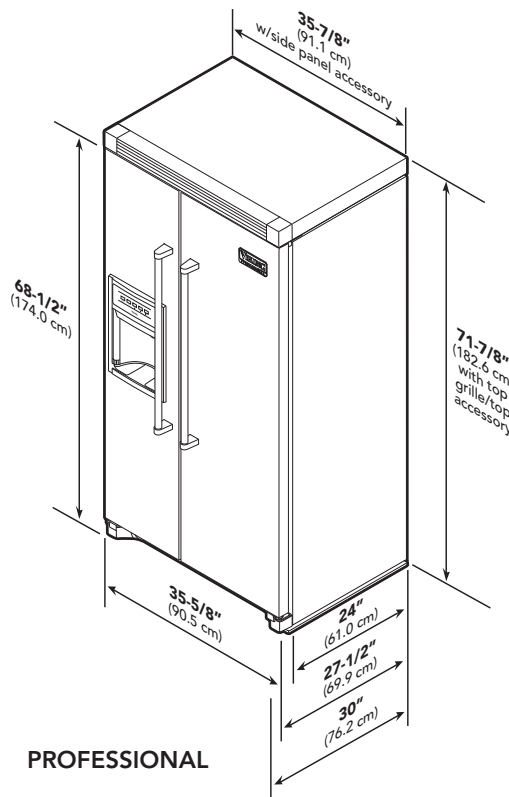
PRODUCT DIMENSIONS



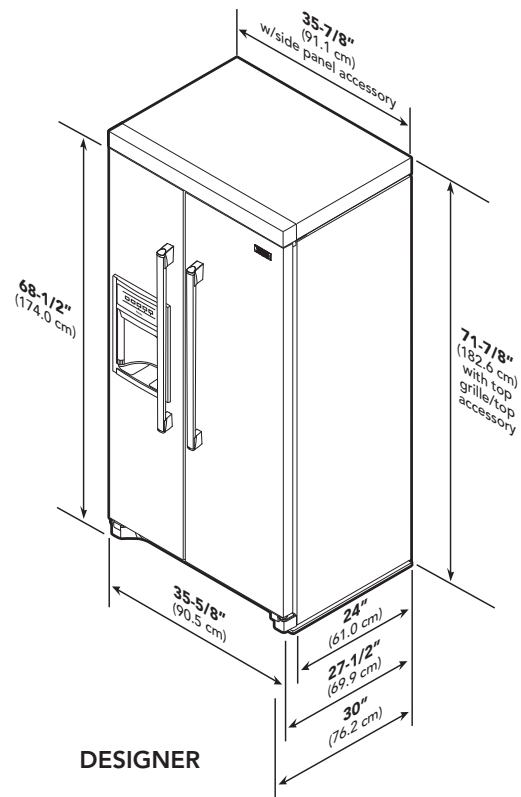
VCSF136D Professional



DDSF136D Designer



PROFESSIONAL



DESIGNER

VCSF136D/DDSF136D

Overall width	35-5/8" (90.5 cm)
Addition of side panels	35-7/8" (91.1 cm)
Overall height (from bottom)	68-1/2" (174.0 cm)
Addition of tops/grilles	71-7/8" (182.6 cm)
Overall depth (from rear)	
To front of door	27-1/2" (69.9 cm)
To front of handle	30" (76.2 cm)
Approx. ship weight	304 lbs. (136.8 kg)





REFRIGERATION



Freestanding 36" W. Side-By-Side Refrigerator/Freezer with Dispenser

Dimensions & Specifications

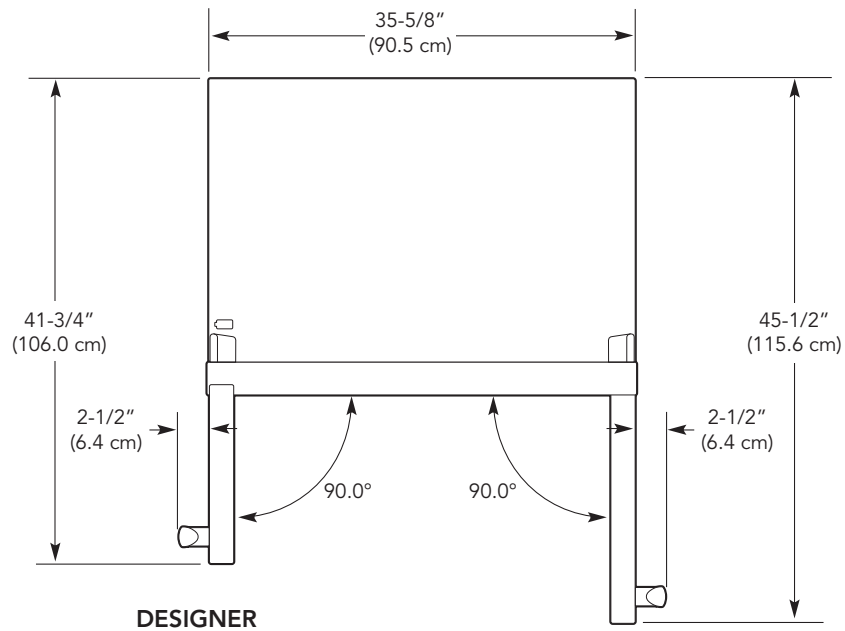
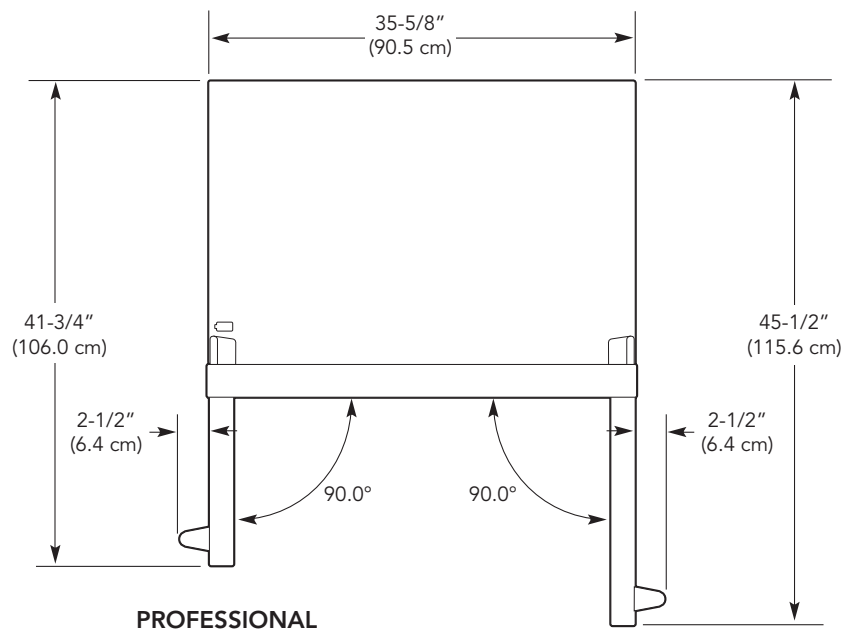
DOOR SWING



VCSF136D
Professional



DDSF136D
Designer





UTILITY REQUIREMENTS



GAS
Not applicable



ELECTRICAL

- Three-wire cord with grounded three-prong plug attached to product. **Do not use an extension cord or adapter plug** for a two-prong receptacle—call a qualified electrical installer.
- 115V/60 Hz; 15 amp dedicated circuit
- Maximum amp usage—6.5
- Estimated energy usage—557 kWh/year



PLUMBING

- Inlet waterline requirements—1/4" copper tubing
- 30 psi min.; 120 psi max.

Installation Requirements

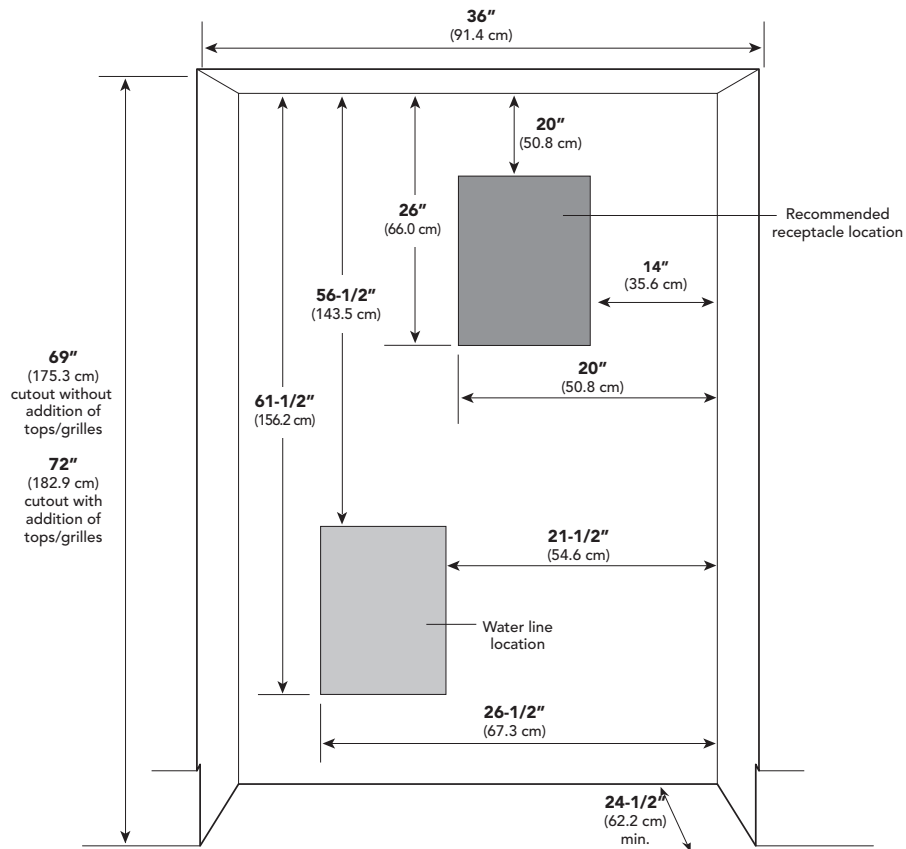
ACCESS REQUIREMENTS



VCSF136D
Professional



DDSF136D
Designer



When installing into a cutout, the edge of the door must be 2-7/8" (7.3 cm) from the adjacent countertop cabinet.

Allow 1/2" (1.3 cm) space at top and 1/2" (1.3 cm) behind the machine compartment cover (located in the rear) for proper air circulation. Sub-flooring or floor coverings (i.e. carpet, tile, wood floors, rugs) may make your opening smaller than anticipated.

All models

Cutout width	36" (91.4 cm)
Cutout height	69" (175.3 cm)
Addition of tops/grilles	72" (182.9 cm)
Cutout depth	24-1/2" (62.2 cm)



REFRIGERATION

Freestanding 36"W. Side-By-Side Refrigerator/Freezer with Dispenser



★ Installation Notes & Accessories

Side Trim Kit

- Stainless steel finish
- Provides "built-in" look when used with a top grille kit

Model	Description	Approx. ship wt. lbs. (kg)
FRSTKS2	Side-by-side side trim kit	13 (5.9)

Top Grille Kits

- Stainless steel finish
- Provides "built-in" look when used with a side trim kit; provides "wrapped" look when used with side panel and top kits

Model	Description	Approx. ship wt. lbs. (kg)
PFRGKS2	Professional side-by-side grille kit	10 (4.5)
DFRGKS2	Designer side-by-side grille kit	10 (4.5)

Side Panel Kit

- Stainless steel finish
- Provides "wrapped" look when used with top grille and top kits
- Side panel kits include panels for both sides

Model	Description	Approx. ship wt. lbs. (kg)
FRSPKS2	Side-by-side side panel kit	60 (27.0)

Top Kit

- Stainless steel finish
- Provides "wrapped" look when used with side panel and top grille kits

Model	Description	Approx. ship wt. lbs. (kg)
FRTOPS2	Side-by-side top kit	19 (8.6)

Replacement Water Filters

- Replaces water filter cartridges supplied with freestanding refrigerator/freezers
- Reduces sediment, bad taste and odor
- Reduces cysts, particulates, turbidity, lead, chlorine, atrazine and lindane
- NSF certified
- Ready to install—no assembly required

Model	Description	Approx. ship wt. lbs. (kg)
RWF-FRSXS	Replacement water filters	5 (2.3)

Compliance Information



WARRANTY SUMMARY*

- Two-year full warranty—complete unit
- Six-year full warranty—sealed refrigeration system
- Twelve-year limited warranty—sealed refrigeration system (includes compressor, condenser, dryer/strainer, evaporator, and connecting tubing)
- Ninety-day limited warranty—cosmetic parts such as glass, painted, and decorative items

*For complete warranty see *Use & Care Guide*. Warranty valid on Viking products shipped within the United States and Canada.

