



## 24" Undercounter Combination

Sub-Zero undercounter units simplify life at home by bringing refrigeration anywhere it's needed. Fresh greens in the kitchen island. Ice, soda and snacks in the media room. Chilled mineral water in the master suite. Model UC-24CI features an automatic ice maker. You can order a stainless steel panel, or the unit is ready to be fitted with your custom cabinet panel.



Model UC-24C with overlay panel shown.

### FEATURES

- Combination unit provides refrigerator and freezer storage.
- Easy-access, touch control panel with LCD display.
- Bright interior lighting.
- Adjustable, spill-proof glass shelf.
- Roller-glide wine shelf with natural cherry-wood facing has three-quarter extension for easy access.
- Two-liter bottle storage in door.
- Automatic ice maker provides crescent shaped ice (UC-24CI).
- Removable clear ice bucket (UC-24CI).
- Automatic defrost.

### MODEL OPTIONS

MODEL OPTIONS	UC-24C	UC-24CI
Design/Finish	Overlay or Stainless Steel*	Overlay or Stainless Steel*
Automatic Ice Maker		•

\*Stainless steel door front panel with handle available only as sales accessory.

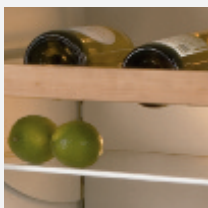
### INTERIOR FEATURES

- **Refrigerator**
  - Wine Storage Shelf
  - 2 Adjustable Glass Shelves
  - Door Shelf
- **Freezer**
  - Automatic Ice Maker (UC-24CI)
  - Automatic Defrost

### ACCESSORIES

- Stainless steel door panel with tubular or pro handle.
- Stainless steel tubular and pro handles.
- UL approved door lock.

Accessories are available through your Sub-Zero dealer. For local dealer information, visit the find a showroom section of our website, [subzero.com](http://subzero.com).



Wine storage shelf.



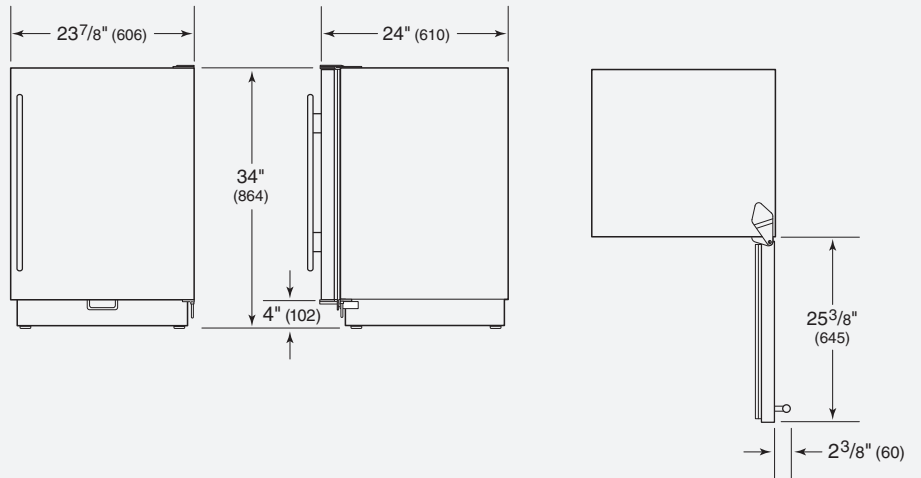
Clear ice bucket.





## 24" Undercounter Combination

### OVERALL DIMENSIONS



Unit dimensions may vary by  $\pm 1/8$ ".

### SPECIFICATIONS

Overall Width	23 <sup>7</sup> / <sub>8</sub> "
Overall Height	34"
Overall Depth	24"
Door Clearance	25 <sup>3</sup> / <sub>8</sub> "
Refrigerator Capacity	3.6 cu ft
Wine Storage Capacity	up to 8 Bottles (750 ml)
Freezer Capacity	1.1 cu ft
Opening Width	24"
Opening Height	34 <sup>1</sup> / <sub>2</sub> "
Opening Depth	24"
Electrical Requirements	115 V AC, 60 Hz 15 amp dedicated circuit
Plumbing Requirements	<sup>1</sup> / <sub>4</sub> " copper line 20–100 psi
Annual Energy Usage	\$43*
Shipping Weight	130 lbs

\*Based on 10.65 cents per kilowatt hour.

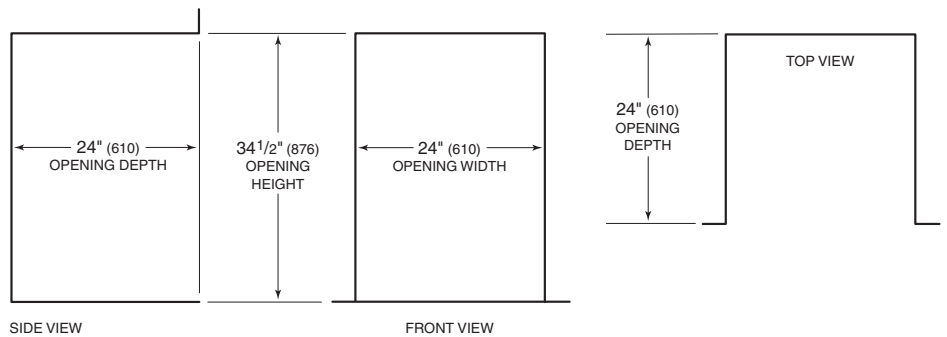
### INSTALLATION NOTES

Undercounter model UC-24C is available in your choice of the overlay or stainless steel design application. A stainless steel door front panel with tubular or pro handle is available as a sales accessory.

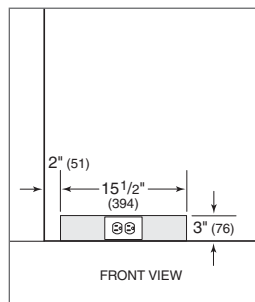
Complete installation specifications, including panel sizes, can be found on our website, [subzero.com/specs](http://subzero.com/specs).

### INSTALLATION SPECIFICATIONS

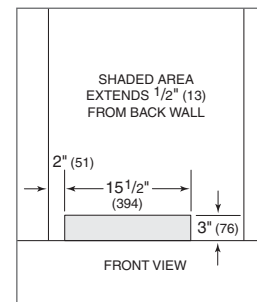
#### Opening Dimensions



#### Location of Electrical Supply



#### Location of Water Supply



Dimensions in parentheses are in millimeters unless otherwise specified.