



PRO ISLAND VENTILATION HOODS

INSTALLATION INSTRUCTIONS





CONTACT INFORMATION

**Wolf Customer
Service:**
800-332-9513

Website:
wolfappliance.com

As you follow these instructions, you will notice **WARNING** and **CAUTION** symbols. This blocked information is important for the safe and efficient installation of Wolf equipment. There are two types of potential hazards that may occur during installation.

⚠ CAUTION

signals a situation where minor injury or product damage may occur if you do not follow instructions.

⚠ WARNING

states a hazard that may cause serious injury or death if precautions are not followed.

Another footnote we would like to identify is **IMPORTANT NOTE**: This highlights information that is especially relevant to a problem-free installation.



INSTALLATION REQUIREMENTS

IMPORTANT NOTE: This installation must be completed by a qualified installer or Wolf authorized service center technician.

- **Installer:** Please read the entire Installation Instructions prior to installation. Save these instructions for the local inspector’s reference, then leave them with the homeowner.
- **Homeowner:** Please read and keep these instructions for future reference and be sure to read the entire Use & Care Information prior to use.

Any questions or problems about the installation should be directed to your Wolf dealer or Wolf Appliance Company, LLC at 800-332-9513. You can also visit our website at wolfappliance.com.

IMPORTANT NOTE: This appliance must be installed in accordance with National Electrical Codes, as well as all state, municipal and local codes. The correct voltage, frequency and amperage must be supplied to the appliance from a dedicated, grounded circuit which is protected by a properly sized circuit breaker or time delay fuse. The proper voltage, frequency, and amperage ratings are listed on the product rating plate.

Record the model and serial numbers before installing the Pro island ventilation hood. Both numbers are listed on the rating plate, located on the left wall of the hood shell.

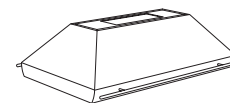
LIST OF MATERIALS

The following is a list of materials shipped with the Wolf Pro island ventilation hood.

- Stainless steel island hood
- Transition with backdraft damper (attached inside hood—needs to be removed)
- Decorative stainless steel rails and installation components—(R) model hoods only
- Two control knobs
- Filters and grease cups (installed in hood)
- (8–16) #10 x 2" (51) self-tapping hex head screws (number of screws varies with the width of the island hood)
- (4) 1/4" x 3" (76) lag screws
- Installation package (taped to filters)
- Installation Instructions
- Use & Care Information and product registration card
- Wolf logo nameplate



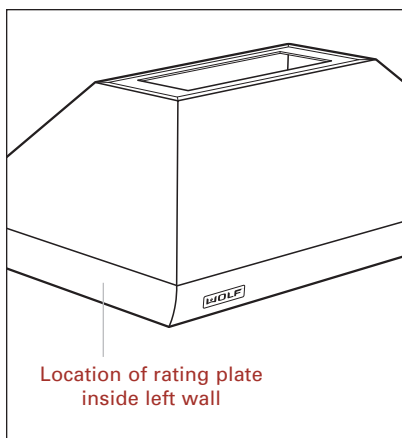
Island Hood



Island Hood (R) Rail Option

Model Number

Serial Number



Rating plate location

Dimensions in parentheses are in millimeters unless otherwise specified.

INSTALLATION CONSIDERATIONS

IMPORTANT NOTE: Wolf Pro island ventilation hoods are recommended for use with all Wolf cooking appliances.

- Proper installation is the responsibility of the installer. Product failure due to improper installation is not covered under the Wolf Warranty. Refer to the Wolf Pro Ventilation Hoods Use & Care Information for warranty details, or visit the Contact/Help section of our website, wolfappliance.com.
- Make sure you have the tools and materials necessary for proper installation.
- Warranty service must be performed by a Wolf authorized service center. Wolf is not responsible for service required to correct a faulty installation.

IMPORTANT NOTE: Wolf Pro ventilation hoods are shipped without the blower assembly. Wolf internal, in-line and remote blower assemblies are available; refer to pages 13–15. Use only a Wolf blower with the Pro island hood.

IMPORTANT NOTE: Wolf recommends that the Pro island ventilation hood be installed 30" (762) to 36" (914) above the countertop.

Rail option (R) island hoods come with classic stainless steel decorative rails and stand-offs on both sides of the hood. Optional platinum or brass rails are available to match Wolf dual fuel range bezels. Contact your Wolf dealer for details.

ELECTRICAL REQUIREMENTS

Wolf Pro island ventilation hoods require a separate, grounded 110/120 V AC, 60 Hz power supply. The service should have its own 15 amp circuit breaker. Locate the electrical supply through the top of the hood. Refer to the Installation Specifications illustration on the following page.

You must follow all National Electrical Code regulations. In addition, be aware of local codes and ordinances when installing your service.

DUCT COVER

If you are installing a Wolf duct cover with the Pro island hood, refer to instructions on page 8 before installing the hood.

ACCESSORIES

Optional accessories are available through your Wolf dealer. To obtain local dealer information, visit the Locator section of our website, wolfappliance.com.



INSTALLATION INSTRUCTIONS

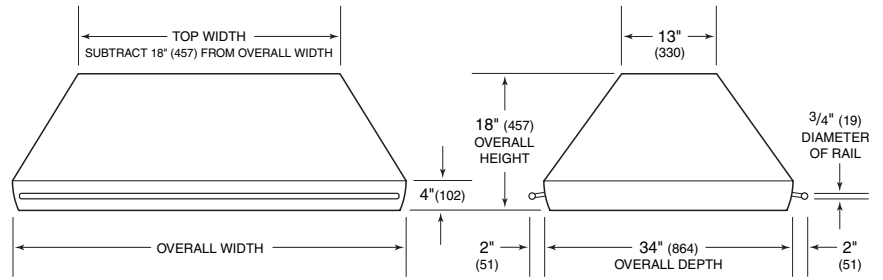


OVERALL DIMENSIONS

PRO ISLAND HOODS

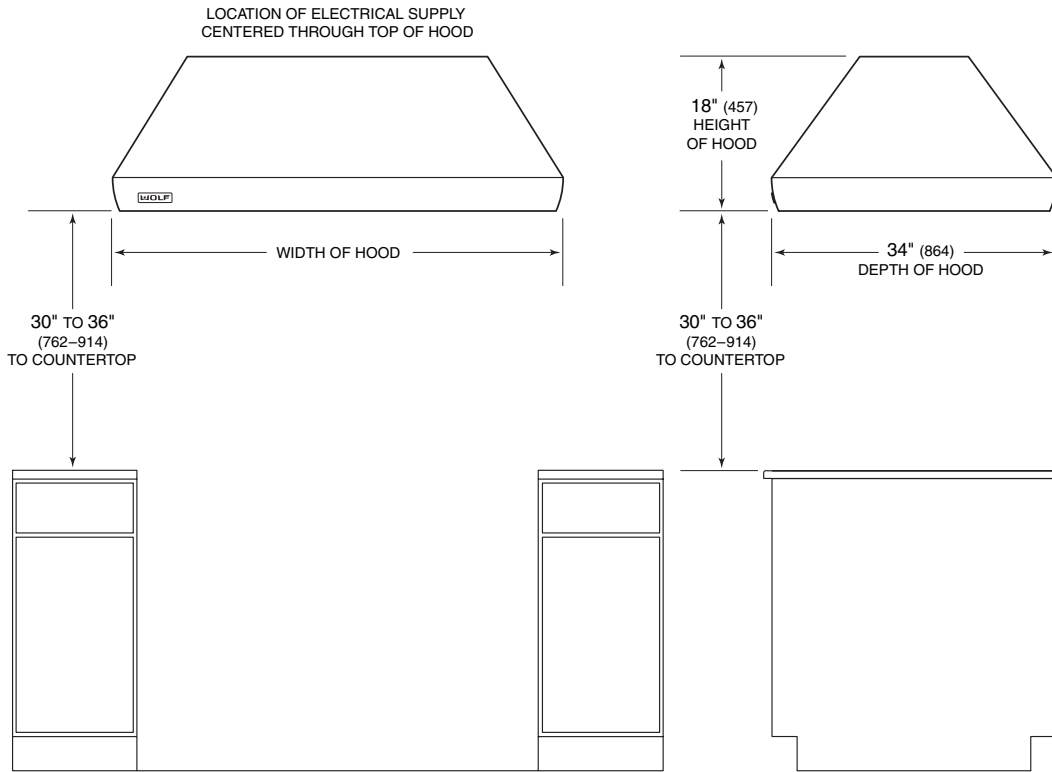
Overall Widths	36" (914), 42" (1067), 54" (1372) and 66" (1676)
Overall Height	18" (457)
Overall Depth (excluding rails)	34" (864)
Shipping Weight (shell only)	95–168 lbs (43–76 kg)

Dimensions may vary to $\pm 1/8"$ (3).



Pro Island Hood

INSTALLATION SPECIFICATIONS



Pro Island Hood

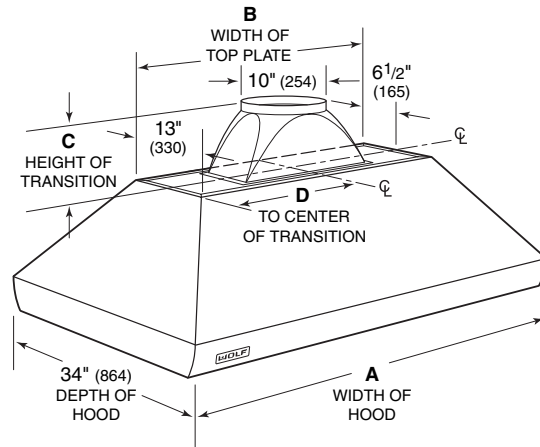
Dimensions in parentheses are in millimeters unless otherwise specified.



INSTALLATION SPECIFICATIONS

The illustration and chart below provides dimensions critical for proper installation of the Wolf Pro island ventilation hood.

⚠ CAUTION
 To reduce the risk of fire and electric shock, install this ventilation hood only with a blower manufactured by Wolf. Blower model numbers are listed on page 17.



Pro Island Hoods

Model	(A)	(B)	(C)	(D)
I363418	36" (914)	18" (457)	8 ³ / ₄ " (222)	9" (228)
I423418	42" (1066)	24" (610)	8 ³ / ₄ " (222)	12" (304)
I543418	54" (1371)	36" (914)	8 ³ / ₄ " (222)	18" (457)
I663418	66" (1676)	48" (1219)	8 ³ / ₄ " (222)	24" (610)

Letters correspond to those in the illustration.



INSTALL DUCTWORK

⚠ WARNING
To reduce the risk of fire, use only metal ductwork.

IMPORTANT NOTE: Wolf recommends that the Pro island ventilation hood be installed 30" (762) to 36" (914) above the countertop.

IMPORTANT NOTE: Consult a qualified HVAC Engineer for specific ducting applications.

IMPORTANT NOTE: All Wolf Pro ventilation hoods must exhaust to the outdoors. Always use metal ducting. Do not use flex ducting.

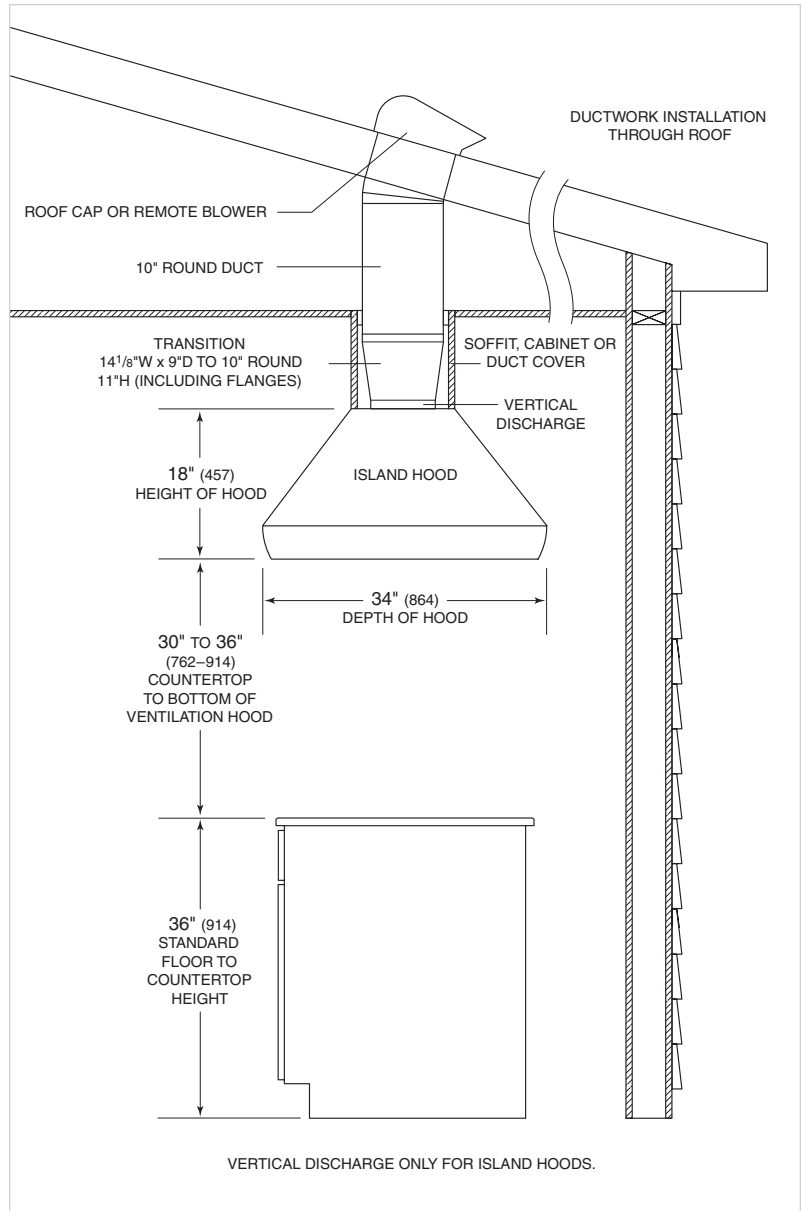
Decide where the ductwork will run between the hood and the outside. A straight, short duct run will allow the hood to perform more efficiently. Limit the number of elbows and transitions to as few as possible. Long duct runs, elbows and transitions will reduce the performance of the hood. Wolf recommends the maximum linear duct run be no greater than 50' (15 m). The Pro island hood has a vertical discharge.

IMPORTANT NOTE: There is a possibility of noise issues, if there is a short duct run coupled with a remote blower.

Always install a roof or wall cap if you are not installing a remote blower. Connect 10" (254) round metal ductwork to the cap and work back towards the hood. Use duct sealing tape on joints between ductwork sections.

Wolf Pro island hoods come standard with a backdraft damper included in the transition assembly. Local codes may require the use of an additional backdraft damper. Contact your local HVAC professional for specific requirements. In cold weather installations a backdraft damper is necessary to minimize the backflow of cold air into the room.

Local building codes may require the use of make-up air. Consult your local HVAC professional for specific requirements in your area.



Ducting options for island hoods

Dimensions in parentheses are in millimeters unless otherwise specified.

DUCT COVER INSTALLATION

IMPORTANT NOTE: If an optional duct cover is to be used, it must be installed before installing the island hood.

Duct covers 6" (152) and 12" (305) high in widths to match all island hoods are available through your Wolf dealer. To obtain local dealer information, visit the Locator section of our website, wolfappliance.com.

ACCESSORIES

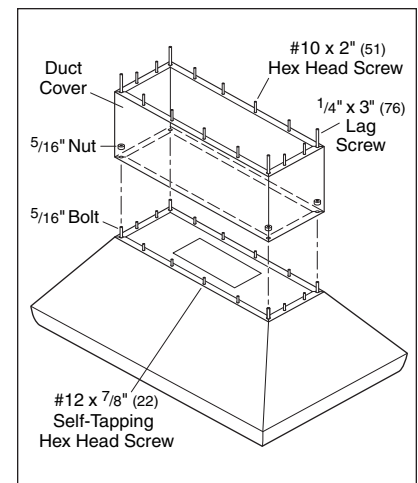
Optional accessories are available through your Wolf dealer. To obtain local dealer information, visit the Locator section of our website, wolfappliance.com.

⚠ CAUTION

Installing a duct cover assembly will impact all aspects of the hood installation including hood location, ducting, electrical placement and the mounting surface.

The duct cover must be attached to the ceiling before installing the hood. Refer to the illustration below and install the duct cover using the following steps.

- Use four 1/4" x 3" (76) lag screws (included with the hood) to attach the duct cover to ceiling framing. Refer to the chart on page 6 for the specific dimensions of your model.
- Install additional #10 x 2" (51) hex head screws (included with the hood) along the top edge of the duct cover for support.
- Install four 5/16" stainless steel bolts (included with the duct cover) through the mounting holes on each corner of the hood and into the bottom edge of the duct cover. Attach the duct cover to the hood assembly with #12 x 7/8" (22) self-tapping hex head screws (included with the duct cover).



Duct cover installation



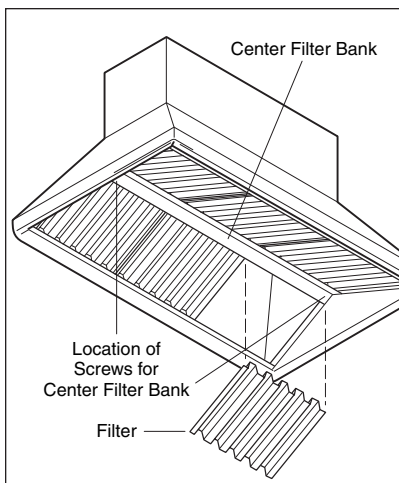
HOOD PREPARATION

Follow these steps to prepare the island hood for installation:

- Slide the grease cups out from the bottom edges of the front and back of the hood.
- Remove the filters by pressing up at the angle the filters are placed in, then rotate the bottom of the filter down. Gloves should be worn to provide a proper grip.
- Remove the center filter bank by removing two screws from each end of the hood. **Do not discard the screws**, they will be reinstalled after installation of the hood is complete. Refer to the illustration below.
- The hood assembly is shipped with the transition attached. The transition is shipped upside down in the top of the hood and must be removed and reinstalled in the proper position.
- Separate the transition from the hood assembly by removing the four shipping screws. Invert and reattach the transition to the hood with the shipping screws.

- If you are installing a remote blower, drill a 7/8" (22) hole through the hood framing for the conduit. Refer to the remote blower information on page 14 and follow installation instructions provided with the blower.

IMPORTANT NOTE: Do not run wiring for the remote blower through the ductwork.



Remove filters and center filter bank

Dimensions in parentheses are in millimeters unless otherwise specified.



INSTALL THE ISLAND HOOD

ACCESSORIES

Optional accessories are available through your Wolf dealer. To obtain local dealer information, visit the Locator section of our website, wolfappliance.com.

IMPORTANT NOTE: If an optional duct cover is to be used, it must be installed before installing the island hood. Refer to Duct Cover Installation on page 8.

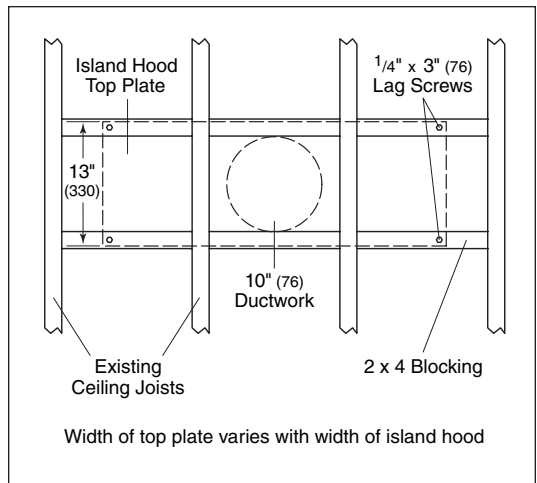
IMPORTANT NOTE: There must be a minimum 10" (254) opening between ceiling framing to accommodate the ductwork necessary for proper ventilation.

The filters and center filter bank must be removed prior to installation of the island hood. Refer to Hood Preparation on page 9.

- Layout the dimensions of the hood top mounting plate on the ceiling. The top plate dimensions will vary with the size of the hood. For the dimensions of your model, refer to the illustration and chart on page 6.
- Use minimum 2 x 4 lumber to construct the framing. Proper structural support is required to accommodate the weight of the hood.

- Mark the center location of the hood. Install 2 x 4 blocking between ceiling joists. Refer to the illustration below.
- Drill 5/32" (4) holes in the 2 x 4 framing to match mounting holes in the top plate of the hood.
- Lift the hood and align the hood mounting holes with the predrilled holes in the framing. Install the 1/4" x 3" (76) lag screws (included with the hood) through the mounting holes on each corner of the hood and into the framing. **Do not overtighten the screws.**
- Connect the 10" (254) round ductwork to the transition using sheet metal screws and duct sealing tape.
- Make the electrical connections. Refer to Install Wiring on page 12.

⚠ WARNING
Framing must be tied together and to ceiling joists to provide enough structural strength to support the weight of the hood and internal blower, if applicable.



Island hood framing – top view

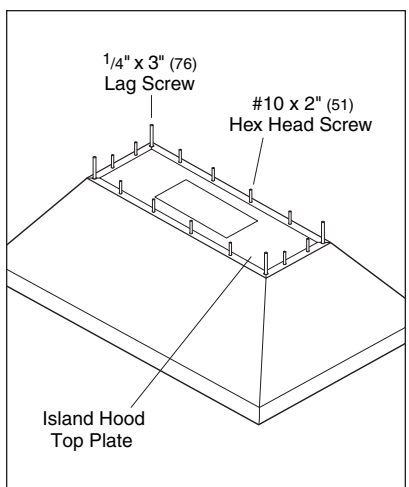


INSTALL THE ISLAND HOOD

⚠ WARNING
When making electrical connections, make sure the electrical power is turned off at the power source or circuit breaker before proceeding.

⚠ CAUTION
Due to the weight of the island hood, be sure to have adequate manpower for installation.

- Adjust the positioning of the hood if necessary, and tighten all four lag screws until the hood is flush with the ceiling. Install the #10 x 2" (51) screws (included with the hood) through the remaining mounting holes in the top plate of the hood for additional support. Refer to the illustration below.
- If you are installing an internal blower, do not reinstall the center filter bank and filters until the blower installation is complete. Refer to the internal blower information on page 13 and follow installation instructions provided with the blower.



Island hood installation

Dimensions in parentheses are in millimeters unless otherwise specified.



INSTALL **WIRING**

IMPORTANT
NOTE

You must follow all National Electrical Code regulations. In addition, be aware of local codes and ordinances when installing your service.

⚠ WARNING
This ventilation hood must be properly grounded. This unit should be installed by a qualified electrician in accordance with all applicable national and local electrical codes.

⚠ WARNING
Before servicing or cleaning unit, switch power off at service panel and lock the service disconnecting means to prevent power from being switched on accidentally. When the service disconnecting means cannot be locked, securely fasten a prominent warning device, such as a tag, to the service panel.

⚠ CAUTION
Do not remove the control knob bezel to access hood wiring, this will damage the bezel assembly.

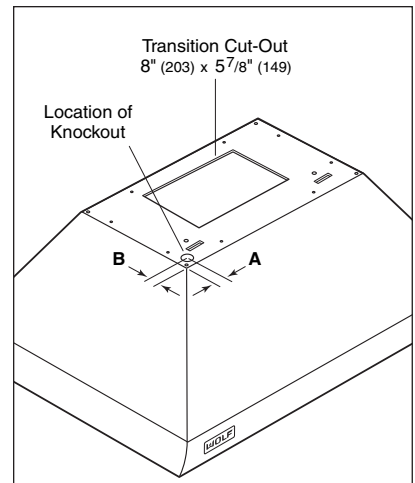
- Run a 120 V AC, 15 amp circuit power cable from the service panel to the electrical box at the center of hood. Supply a minimum of 6' (1.8 m) of ROMEX cable.
- Remove the knockout located on the left side of the hood top plate. Refer to the illustration and chart below for the wiring location of your specific model.
- Insert the conduit through the hole on top of the hood to the electrical box located in center of hood shell.
- Remove the hood electrical box cover. Connect black wire to power supply black wire, white wire to power supply white wire and green wire to green wire or bare wire.
- Place all wiring connections inside the electrical box and reinstall the cover. Make sure that the wires are secure and that no wires are pinched between the cover and box.

Refer to the wiring diagram packaged with the island hood for more information.

Location of Knockout for Wiring

Model	(A)	(B)
I363418	1" (25)	1" (25)
I423418	2" (51)	1 1/2" (38)
I543418	8" (203)	1 1/2" (38)
I663418	14" (356)	1 1/2" (38)

Letters correspond to the illustration.



Island hood wiring location



INTERNAL BLOWER

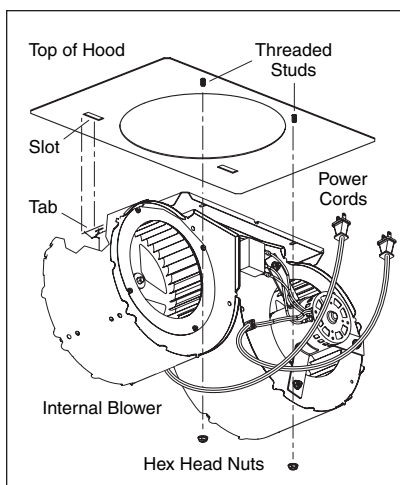
IMPORTANT NOTE: Refer to the installation instructions provided with the internal blower for additional mounting and wiring instructions.

IMPORTANT NOTE: Use wire connectors or wire nuts approved by UL or C/UL.

IBLOWER-120INT INSTALLATION

- Remove filters and center filter bank from the island hood. Refer to Hood Preparation on page 9.
- Lift the blower into position inside the hood.
- Engage the two tabs on the blower into the two slots in the top of the island hood. Secure the blower to the threaded studs with two hex nuts (included with the blower). Refer to the illustration below.
- Plug the blower power cords into receptacles located near the center of the hood shell. Use the clips on the interior of the hood to keep excess power cord away from moving parts.
- Once installation of the blower is complete, replace the center filter bank and filters.

IMPORTANT NOTE: Before turning the power on to the ventilation hood, make sure the blower is off.



Internal blower installation

Dimensions in parentheses are in millimeters unless otherwise specified.



IN-LINE AND REMOTE BLOWERS

BLOWER INSTALLATION

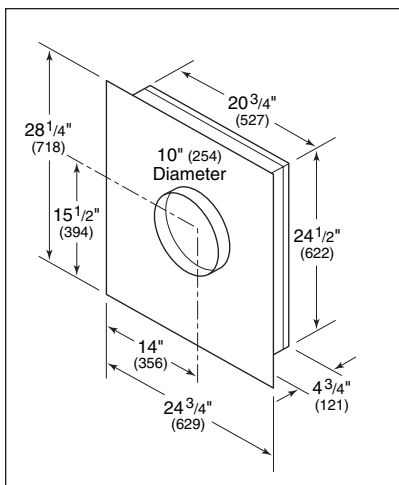
IMPORTANT NOTE: Refer to the specific installation instructions provided with each blower for additional mounting instructions.

Locate the blower so that the length of the duct run and number of elbows and transitions are kept to a minimum. Wolf recommends the maximum linear duct run be no greater than 50' (15 m).

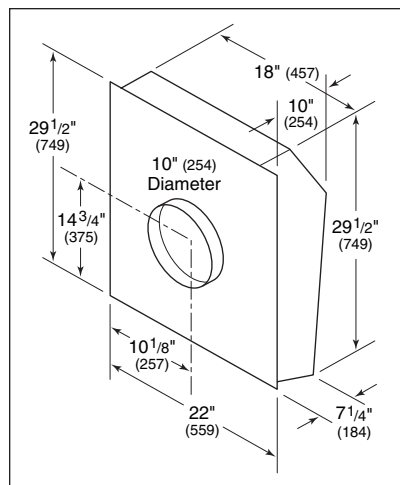
If possible, remote blowers should be located between wall studs or roof rafters. Avoid pipes, wires or other ductwork that may be running through the wall.

Be sure that there is enough space for any transitions that may be needed between the blower and the connecting ductwork. For best performance, locate transitions nearest the blower.

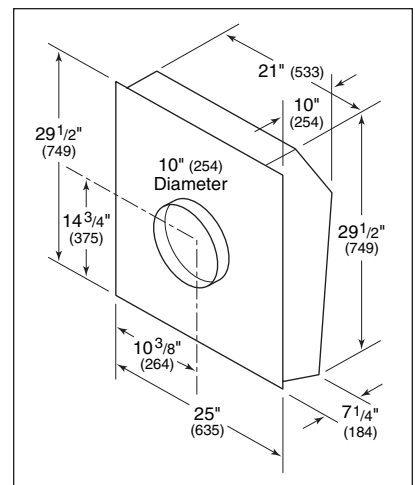
Refer to the illustrations below and on the following page for overall dimensions of Wolf in-line and remote blowers. Also refer to the specific installation instructions provided with each remote blower to verify cut-out dimensions.



Dimensions for BLOWER-90REM



Dimensions for BLOWER-120REM



Dimensions for BLOWER-150REM



IN-LINE AND REMOTE BLOWERS

BLOWER WIRING

IMPORTANT NOTE: Refer to the specific installation instructions provided with each blower for additional wiring instructions.

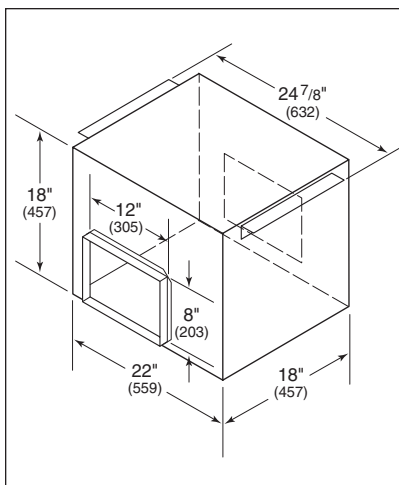
- Follow wiring instructions at the blower as outlined in the specific installation instructions provided with each blower. Black (L1) to black, white (neutral) to white, or white to blue, or white to brown (depending on model) and green to grounding screw. Run blower cable (ROMEX) to the hood.
- Insert 30" (762) of ROMEX cable through the knockout opening and into the electrical box on the rough-in plate of the hood. Secure the cable to the electrical box with an appropriate connector.
- Locate the cord assembly provided with the blower. The cord assembly has two leads, black (L1) and white (neutral). Connect these leads to the leads from the blower, black to black and white to white.
- Connect **all** green and bare wires together to the ground screw in the electrical box.

- Plug the cord assembly into the receptacle located near the center of the hood shell. Use the clips on the interior of the hood to keep excess power cord away from moving parts.
- Reinstall the electrical box cover and screws. Make sure that all wires are secure and that no wires are pinched between the cover and box.

IMPORTANT NOTE: Before turning the power on to the ventilation hood, make sure the blower is off.

⚠ WARNING

When making electrical connections, make sure the electrical power is turned off at the power source or circuit breaker before proceeding.



Dimensions for BLOWER-110IL

Dimensions in parentheses are in millimeters unless otherwise specified.

INSTALL **FILTERS / GREASE CUPS**

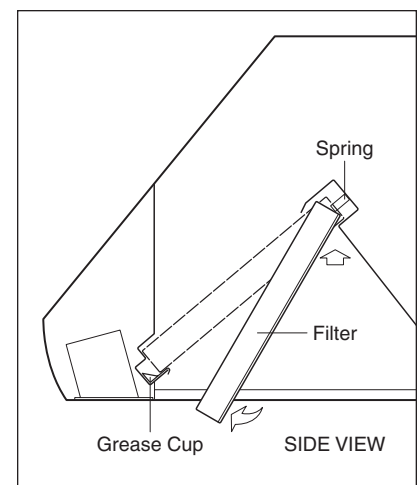
- Reinstall the center filter bank. Leave the screws slightly loosened until after the filters are in place. Refer to Hood Preparation on page 9.
- Remove all packaging material from the filters and grease cups.
- Slide the grease cups along the bottom edge of the hood so that the lip of the grease cup overhangs slightly.
- Install the filters. Orient each filter with lines running vertically. Position the top edge of the filter as shown in the illustration below. While pressing up against the spring, rotate the bottom edge of the filter into position next to the grease cup. Gloves should be worn to provide proper grip.

LOGO **NAMEPLATE**

The Wolf logo nameplate does not come installed on the hood since there are various locations that the nameplate can be attached. Also, some customers prefer not to have a nameplate on their hood.

A template for positioning the Wolf logo nameplate in a standard location is included on page 19. Follow these steps to install the nameplate:

- Decide on the location for the nameplate.
- Clean the mounting area with rubbing alcohol.
- If desired, cut-out the template from page 19. Fold the template, locate placement on hood and tape to the hood surface. Check alignment and adjust if necessary.
- Remove backing paper from the nameplate.
- Position the nameplate in the template cut-out and press into place.
- Remove the template and any tape residue.



Filter and grease cup installation



BLOWER ASSEMBLIES

Wolf Pro island ventilation hoods are shipped without the blower assembly. Wolf internal, in-line and remote blower assemblies are available as sales accessories through your Wolf dealer.

IMPORTANT NOTE: Blower options vary with the cooking surface. Use only a Wolf blower with the Pro island ventilation hood.

INTERNAL BLOWER

- **IBLOWER-120INT (804703)** – 1200 CFM internal blower for all island hoods.

IN-LINE BLOWER

- **BLOWER-110IL (808190)** – 1100 CFM in-line blower for all island hoods.

REMOTE BLOWERS

- **BLOWER-90REM (801641)** – 900 CFM remote blower for Models I363418, I423418 and I543418.
- **BLOWER-120REM (801642)** – 1200 CFM remote blower for all island hoods.
- **BLOWER-150REM (804701)** – 1500 CFM remote blower for all island hoods.

Refer to the Wolf Design Guide for Pro ventilation recommendations. You can also visit our website at wolfappliance.com.

TROUBLESHOOTING

IMPORTANT NOTE: If the Pro island ventilation hood does not operate properly, follow these troubleshooting steps:

- Verify that power is being supplied to the ventilation hood.
- Check electrical connections to ensure that the installation has been completed correctly.
- Refer to the Troubleshooting Guide in the Wolf Pro Ventilation Hoods Use & Care Information.
- If the ventilation hood still does not work, contact a Wolf authorized service center. Do not attempt to repair the ventilation hood yourself. Wolf is not responsible for service required to correct a faulty installation.

ACCESSORIES

Optional accessories are available through your Wolf dealer. To obtain local dealer information, visit the Locator section of our website, wolfappliance.com.



CONTACT
INFORMATION

**Wolf Customer
Service:
800-332-9513**

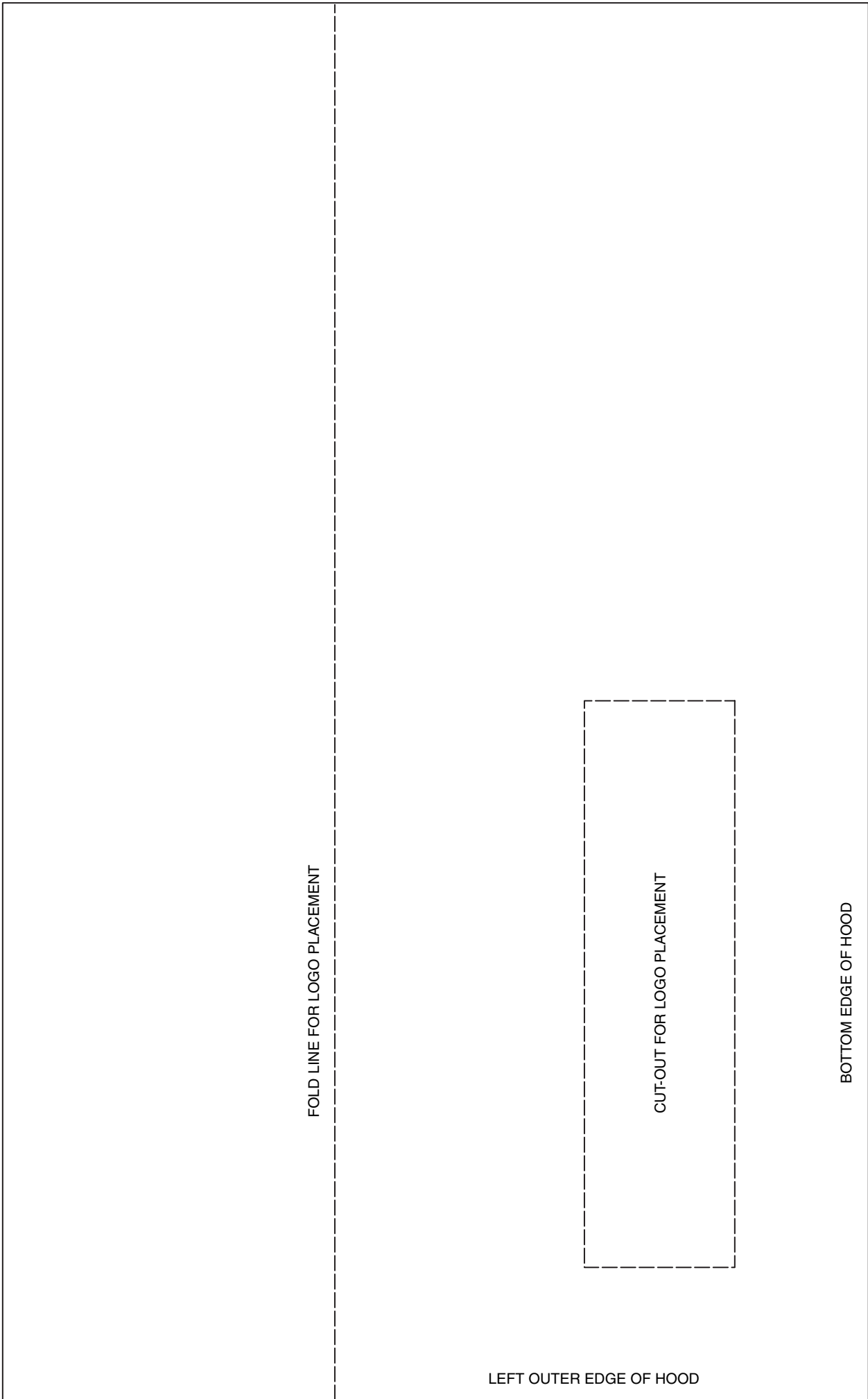
**Website:
wolfappliance.com**

IF YOU NEED **SERVICE**

- Maintain the quality built into your Pro island ventilation hood by calling a Wolf authorized service center.
- For the name and number of the Wolf authorized service center nearest you, check the Locator section of our website, **wolfappliance.com**, or call Wolf Customer Service at **800-332-9513**.
- When calling for service, you will need the model and serial number of your ventilation hood. This information is found on the rating plate located on the left wall of the hood shell. Refer to the illustration on page 3.

The information and images are the copyright property of Wolf Appliance Company, LLC, an affiliate of Sub-Zero Freezer Company, Inc. Neither this book nor any information or images contained herein may be copied or used in whole or in part without the express written permission of Wolf Appliance Company, LLC, an affiliate of Sub-Zero Freezer Company, Inc.

©Wolf Appliance Company, LLC all rights reserved.



FOLD LINE FOR LOGO PLACEMENT

CUT-OUT FOR LOGO PLACEMENT

BOTTOM EDGE OF HOOD

LEFT OUTER EDGE OF HOOD



WOLF APPLIANCE COMPANY, LLC P.O. BOX 44848 MADISON, WI 53744 800-332-9513 WOLFAPPLIANCE.COM

WOLF[®]