



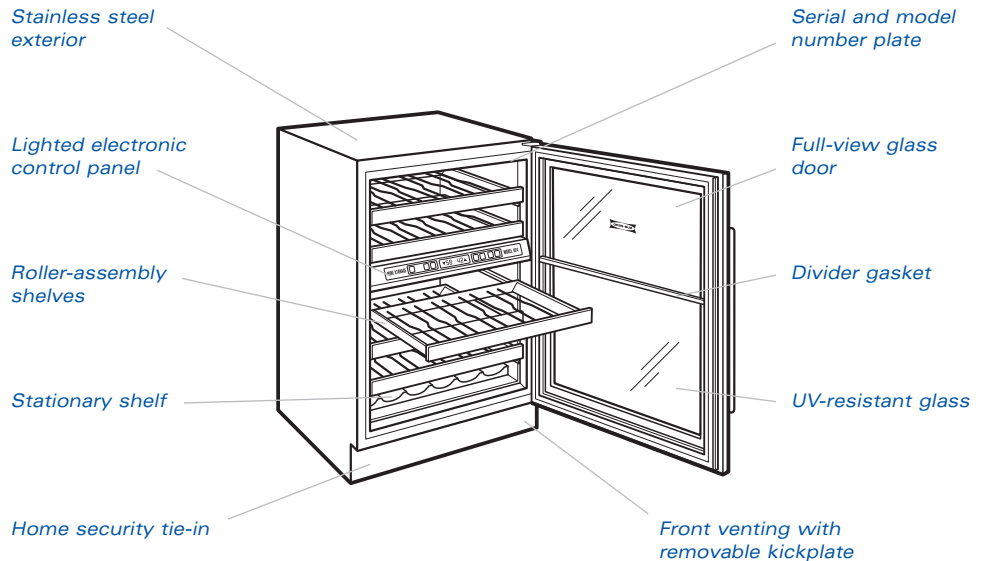
Wine Storage Model 424FS Free-Standing



WINE STORAGE



Model 424FS
Free-Standing



With the installation of a harness kit, these appliances are Star-K compliant to meet strict religious regulations in conjunction with specific instructions found on star-k.org. You may purchase this harness kit through your Sub-Zero dealer. To obtain local dealer information, visit the Locator section of our website, subzero.com.

► The Sub-Zero Model 424FS free-standing Wine Storage unit is available in the classic stainless steel finish. A unit with high altitude glass may be special ordered for installations at or above 5,000' (1524 m) in elevation.

A great addition to Sub-Zero's complete line of residential refrigeration is the Wine Storage equipment. But it is more than just wine storage in the conventional sense. It is wine storage as only Sub-Zero could make it. The ultimate in beauty, engineering, attention to detail and smart thinking.

If you do not have the space to build anything into the cabinets, the 424FS free-standing unit is perfect for those applications. It is offered in classic stainless steel wrapped door and the entire unit is clad in stainless steel to complement any décor whether it be traditional or contemporary.

You can even develop a custom top for the unit and make it a functioning cutting board or serving tray.

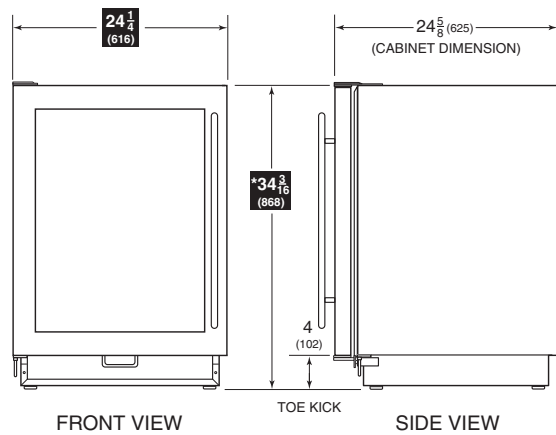


Wine Storage Model 424FS

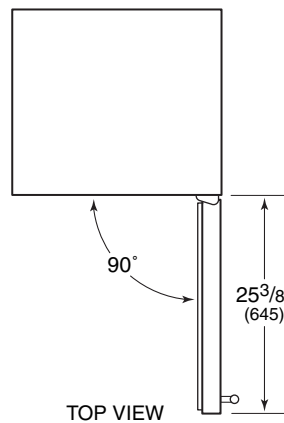
FEATURES

- ▶ Free-standing Wine Storage unit does not require any panels or surrounding cabinetry
- ▶ 46 (750 ml) bottle capacity
- ▶ Classic stainless steel exterior, door frame and tubular handle
- ▶ Refrigeration system allows individual temperature control of the two wine compartments and ideal humidity
- ▶ Sturdy, rustproof wire shelves accommodate standard 750 ml bottles, half-bottles, as well as magnums
- ▶ Roller-glide shelves faced with natural cherry wood have a three-quarter extension for easy access
- ▶ Full-view glass door with UV-resistant glass protection
- ▶ High altitude glass door unit can be special ordered
- ▶ Discreet low voltage interior lighting
- ▶ Service light indicator, optional lock and tie-in to home security system
- ▶ UL approved for US and Canada
- ▶ Two, five and twelve year residential warranty—exclusions apply; warranty information can be found on our website, subzero.com

OVERALL DIMENSIONS ▼



*1/2" (13) ± ADJUSTMENT IN LEVELING LEGS



Dimensions may vary by ± 1/8" (3).

Dimensions in parentheses are in millimeters unless otherwise specified.



Wine Storage Model 424FS



WINE STORAGE

DOOR OPTIONS

Full-View Glass Door	424FSG
High Altitude Glass Door	424FSHAG

You must allow 90 days from order to delivery for high altitude glass door unit.

ACCESSORIES

- ▶ UL approved door lock kit

Accessories are available through your Sub-Zero dealer. To obtain local dealer information, visit the Locator section of our website, subzero.com.

SPECIFICATIONS

Model 424FS	Free-Standing Wine Storage Unit
Overall Width	24 ¹ / ₄ " (616)
Overall Height	34 ³ / ₁₆ " (868)
Overall Depth	24 ⁵ / ₈ " (625)
Wine Storage Capacity	46 Bottles (750 ml)
Door Swing Clearance	25 ³ / ₈ " (645)
Electrical Requirements	115 V AC, 60 Hz, 15 amp circuit
Shipping Weight	220 lbs (100 kg)
Special Note	High altitude glass door is available for elevations 5,000' (1524 m) or above

Specifications are subject to change without notice.



Wine Storage Model 424FS



WINE STORAGE

⚠ CAUTION

A solid panel must not be installed on a glass door unit, as this may cause moisture to form behind the panel.

MODEL 424FS - FREE-STANDING

The free-standing Model 424FS does not require any panels or surrounding cabinetry. It has a beautiful classic stainless steel exterior. For additional specifications and installation information specific to Model 424FS, refer to pages 2-3.

IMPORTANT NOTE: The anti-tip bracket must be installed to prevent the unit from tipping forward.

WOOD FACING - WINE SHELVES

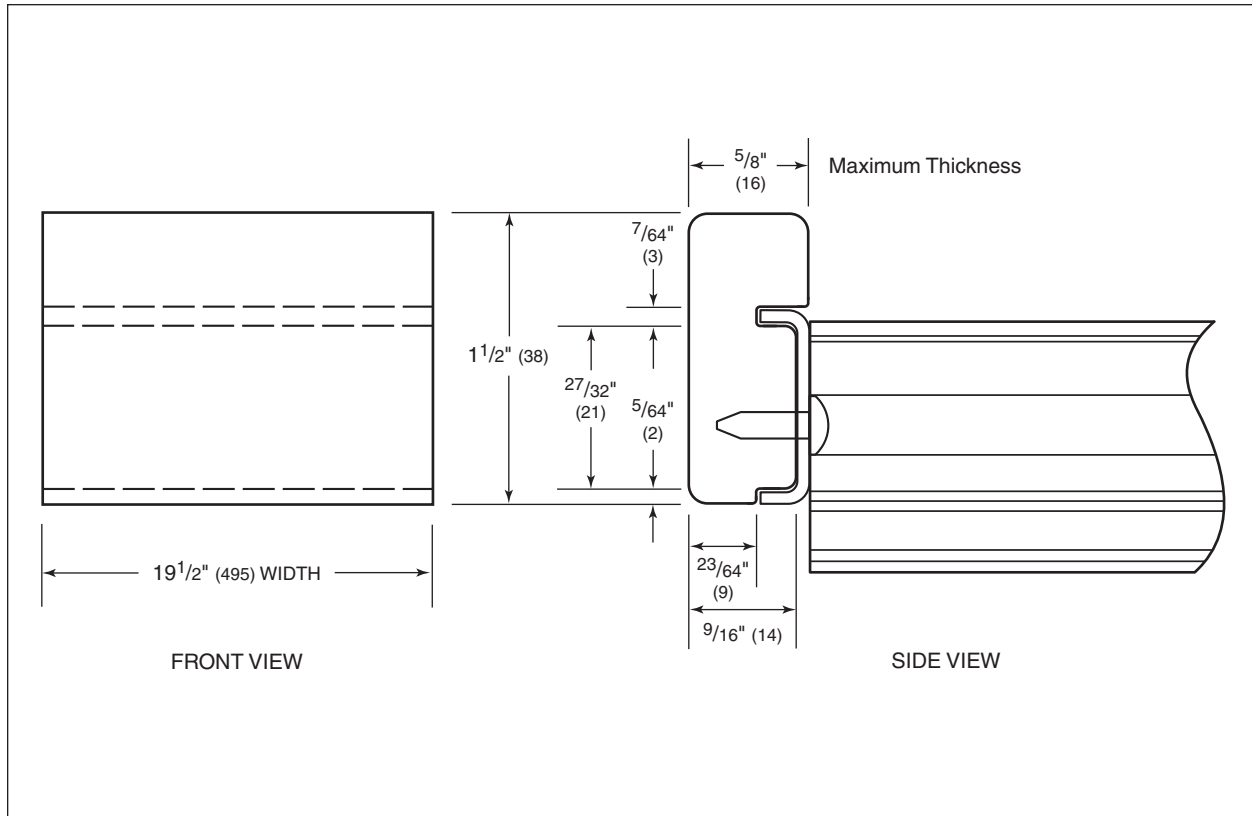
Sub-Zero has provided a natural cherry wood facing to each of its wine shelves in each model. If, however, you would like to replace these strips with wood more complementary to your design and surrounding cabinetry, you can.

The Wine Shelf Wood Facing Dimensions illustration on page 5, can be used as a full-scale template. You must follow the layout of this format to accommodate the shelves properly. To remove the cherry strips, take the shelves out and merely remove the screws. Reverse the procedure to affix the new wood.

If you choose to stain or seal the wood facing, be aware that some of these substances are hazardous and will damage stored wine.

Wine Storage Model 424FS

WINE SHELF WOOD FACING



WINE STORAGE

FULL-SCALE TEMPLATE

Use the full-scale illustration above as a template if you choose to replace the natural cherry wood facing with wood more complementary to your design and surrounding cabinetry.