

# NEWPORT BATH

## Features

- Solid brass construction
- 1/2" IPS
- 2-3/8" flange diameter with o-ring retainer
- Many lengths available (11 sizes from 2" to 42")

## Codes / Standards Compliance

Meets or exceeds the following at date of manufacture:

- All applicable US Federal and State material regulations

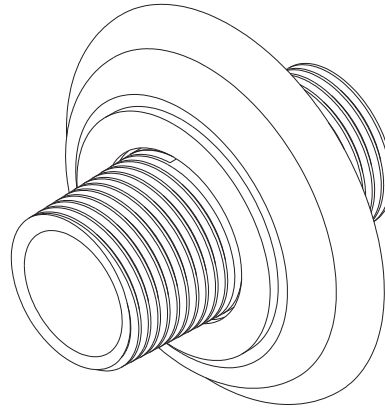
## Colors / Finishes

- 10B: Oil Rubbed Bronze
- 15: Polished Nickel
- 15S: Satin Nickel - PVD
- 26: Polished Chrome
- Other: Refer to the Newport Brass catalog for additional color/finish options.

## Shower Arm with Flange

# 517-2

**Also 517-4, 517-6, 517-8, 517-10, 517-12, 517-18, 517-24, 517-30, 517-36, 517-42**



## Specified Model

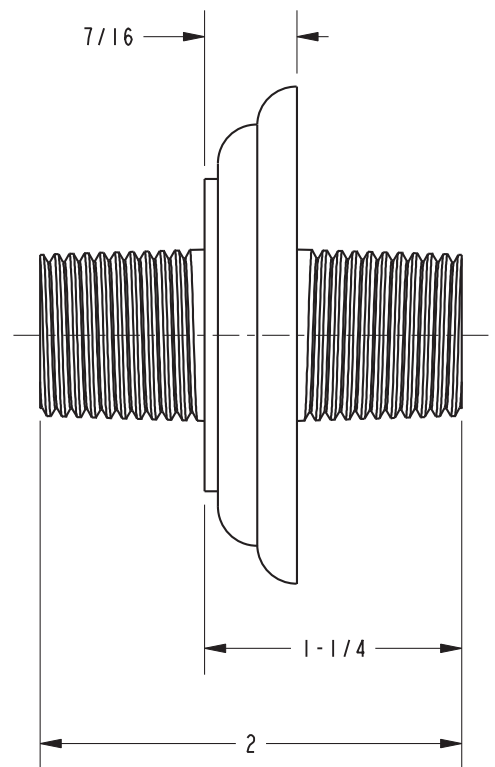
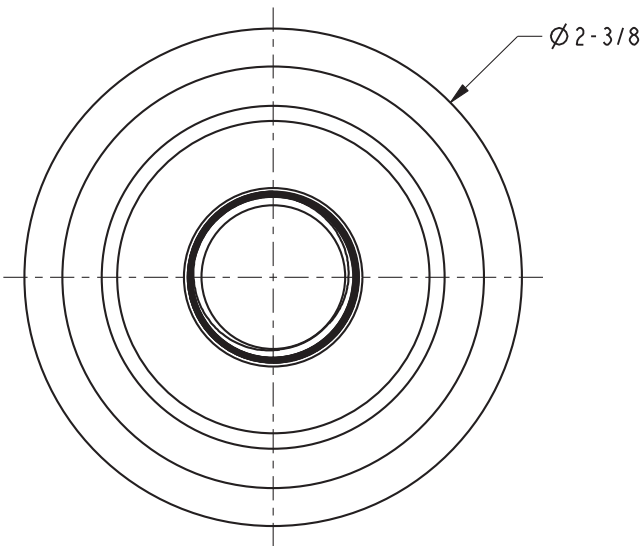
Model	Description	Colors   Finishes				
517-2	1/2" IPS x 2" Ceiling Mounted Showerhead Nipple with Flange	<input type="checkbox"/> 10B	<input type="checkbox"/> 15	<input type="checkbox"/> 15S	<input type="checkbox"/> 26	<input type="checkbox"/> Other
517-4	1/2" IPS x 4" Ceiling Mounted Showerhead Nipple with Flange	<input type="checkbox"/> 10B	<input type="checkbox"/> 15	<input type="checkbox"/> 15S	<input type="checkbox"/> 26	<input type="checkbox"/> Other
517-6	1/2" IPS x 6" Ceiling Mounted Showerhead Nipple with Flange	<input type="checkbox"/> 10B	<input type="checkbox"/> 15	<input type="checkbox"/> 15S	<input type="checkbox"/> 26	<input type="checkbox"/> Other
517-8	1/2" IPS x 8" Ceiling Mounted Showerhead Nipple with Flange	<input type="checkbox"/> 10B	<input type="checkbox"/> 15	<input type="checkbox"/> 15S	<input type="checkbox"/> 26	<input type="checkbox"/> Other
517-10	1/2" IPS x 10" Ceiling Mounted Showerhead Nipple with Flange	<input type="checkbox"/> 10B	<input type="checkbox"/> 15	<input type="checkbox"/> 15S	<input type="checkbox"/> 26	<input type="checkbox"/> Other
517-12	1/2" IPS x 12" Ceiling Mounted Showerhead Nipple with Flange	<input type="checkbox"/> 10B	<input type="checkbox"/> 15	<input type="checkbox"/> 15S	<input type="checkbox"/> 26	<input type="checkbox"/> Other
517-18	1/2" IPS x 18" Ceiling Mounted Showerhead Nipple with Flange	<input type="checkbox"/> 10B	<input type="checkbox"/> 15	<input type="checkbox"/> 15S	<input type="checkbox"/> 26	<input type="checkbox"/> Other
517-24	1/2" IPS x 24" Ceiling Mounted Showerhead Nipple with Flange	<input type="checkbox"/> 10B	<input type="checkbox"/> 15	<input type="checkbox"/> 15S	<input type="checkbox"/> 26	<input type="checkbox"/> Other
517-30	1/2" IPS x 30" Ceiling Mounted Showerhead Nipple with Flange	<input type="checkbox"/> 10B	<input type="checkbox"/> 15	<input type="checkbox"/> 15S	<input type="checkbox"/> 26	<input type="checkbox"/> Other
517-36	1/2" IPS x 36" Ceiling Mounted Showerhead Nipple with Flange	<input type="checkbox"/> 10B	<input type="checkbox"/> 15	<input type="checkbox"/> 15S	<input type="checkbox"/> 26	<input type="checkbox"/> Other
517-42	1/2" IPS x 42" Ceiling Mounted Showerhead Nipple with Flange	<input type="checkbox"/> 10B	<input type="checkbox"/> 15	<input type="checkbox"/> 15S	<input type="checkbox"/> 26	<input type="checkbox"/> Other

## Product Specification Add "Color / Finish" suffix to Model number, below.

The Shower Arm with Flange shall be made of solid brass construction. Product shall incorporate 1/2" NPT ends and have an approximate length of \_\_\_\_\_" (2", 4", 6" 8", 10", 12", 18", 24", 30", 36", 42"). The product shall incorporate a flange covering a 2-3/8" diameter at the wall and retaining an o-ring interface with the shower arm. Shower Arm with Flange shall be Newport Brass Model 517-\_\_\_\_\_/\_\_\_\_\_.

# 517-2

## PRODUCT DIMENSIONS *(Units are in inches)*



**Newport Bath Shower Arm with Flange**  
**517-2**