

FFCD2418U S/W/B

DISHWASHER

24" BUILT-IN



AVAILABLE COLORS



Stainless



White



Black

PRODUCT DIMENSIONS

Height (Min. - Max.)	33-1/2" - 35"
Width	24"
Depth	25"

MORE EASY-TO-USE FEATURES

Multiple Cleaning Cycle Options

Features easy-to-use cleaning cycle options for your different cleaning needs including Energy Saver, 1-Hour, Normal Wash and Heavy Wash.

ENERGY STAR®-Certified

Maximize your energy and dollar savings with ENERGY STAR® Certified Appliances.

Time-Saving 4-Hour Delay Start

Set your dishwasher to run on your schedule. It can be set to run 4 hours in advance.

Quiet Operation Won't Run You Out Of The Room

Run your dishwasher while you're in the same room. It runs at 55 dBAs.

Cycle Status Indicators

Know when your dishes are washing, drying and clean with the status indicators.

Filtration System

Self-cleaning filter eliminates food particles, keeping dishes clean.

Stay-Put Door Allows For Easier Loading

The door stays put at whatever angle you open it for easy loading and unloading.

Durable Polymer Wash Tub

Supports the drying process, keeping dishes dry the first time.

Built with American Pride

Designed, engineered and assembled in the U.S.A.

SIGNATURE FEATURES

A Thorough Clean Every Time

Three separate spray arms give your dishes the ultimate clean every time.

National Sanitation Foundation® Certified

Sanitize cycle removes 99.9% of common household bacteria.

Fits up to 14 Place Settings

Cleans 14 place settings in one cycle.

Heated Drying System

Heating element helps dry your dishes the first time.

CERTIFICATIONS

ENERGY STAR®



NSF® International Certification



NSF Protocol for Certification and Cleaning Performance of Residential Sump-Type Dishwashers (1997)

FFCD2418U S/W/B DISHWASHER

FRIGIDAIRE

24" BUILT-IN

FEATURES

Control Design	Ready-Select®
Door Latch	Yes
Stay-Put Door Hinge Design	Yes
Low Rinse-Aid Indicator Light	Yes
Interior Color	Greystone
Interior Design	Tall Tub
Wash System	Direct Feed
Wash Levels	5
Wash Speeds	5
Sound Package	UltraQuiet™ III
Filter	Poly
Filter Trap	Removable
Food Disposer	Hard
dB Level	55
Drying System	Heated Dry

CYCLES

Number of Cycles	5
PowerPlus™ (Heavy)	Yes
Normal	Yes
Light (1-Hour)	Yes
Rinse Only	Yes
Energy Saver Plus	Yes
Cycle Indicator Light	Yes
Control Lock	Yes

OPTIONS

Heat	Yes
No Heat Dry	Yes
Hi-Temp Wash	Yes
NSF® Certified Sanitize Rinse	Yes
Delay Start	4 Hours

RACK SYSTEM

Rack Design	Standard
Rack Coating	PVC

Lower Rack -

SpaceWise® Silverware Basket	Standard
------------------------------	----------

Upper Rack -

Rack Type	Better
Cup Shelves	Yes

CERTIFICATIONS

ENERGY STAR®	Yes
NSF® International Certification	Yes

SPECIFICATIONS

Water Inlet Location	Left Bottom Front
Water Usage (Gallons)	6.0
Water Pressure (PSI)	20 - 120
Integral Air Gap on Supply	Yes
Leveling Legs	Yes
Power Supply Connection Location	Right Bottom Front
Voltage Rating	120V / 60 Hz / 15A
Connected Load (kW Rating) @ 120 Volts ¹	1.44
Amps @ 120 Volts	10.0
Shipping Weight (Approx.)	83 Lbs.

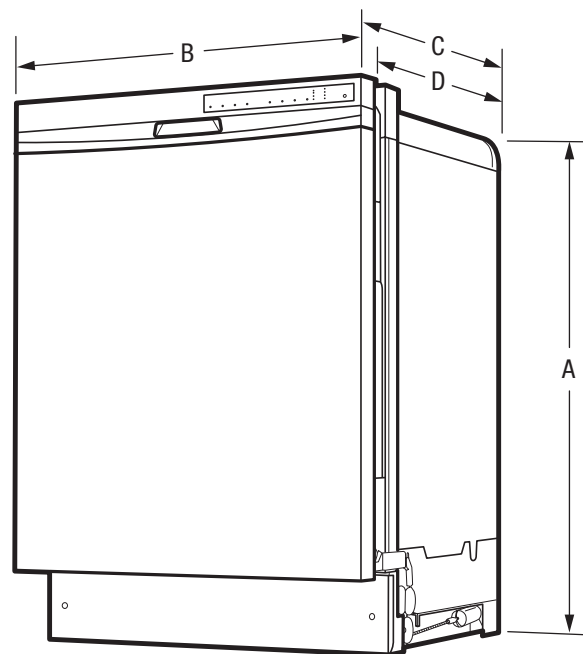
¹For use on adequately wired 120V, dedicated circuit having 2-wire service with a separate ground wire. Appliance must be grounded for safe operation.

PRODUCT DIMENSIONS

A - Height (Min.-Max.)	33-1/2" - 35"
B - Width	24"
C - Depth	25"
Depth with Door Open 90°	49-1/4"

CUTOUT DIMENSIONS

Height (Min.)	33-1/2"
Height (Max.)	35-1/4"
Width (Min.)	24"
Depth (Min.)	25"



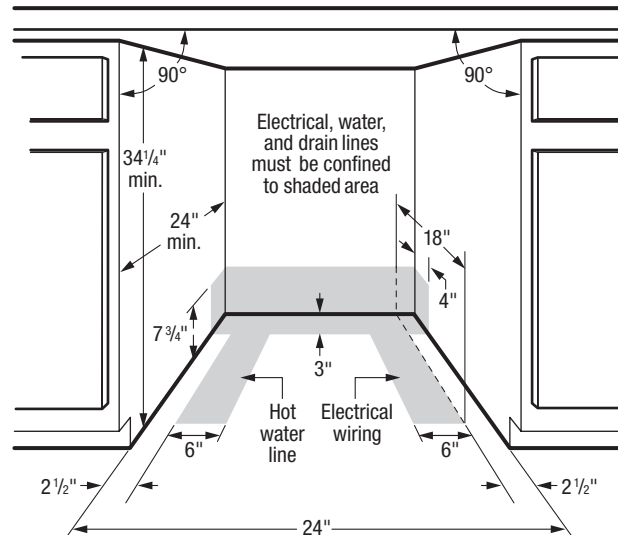
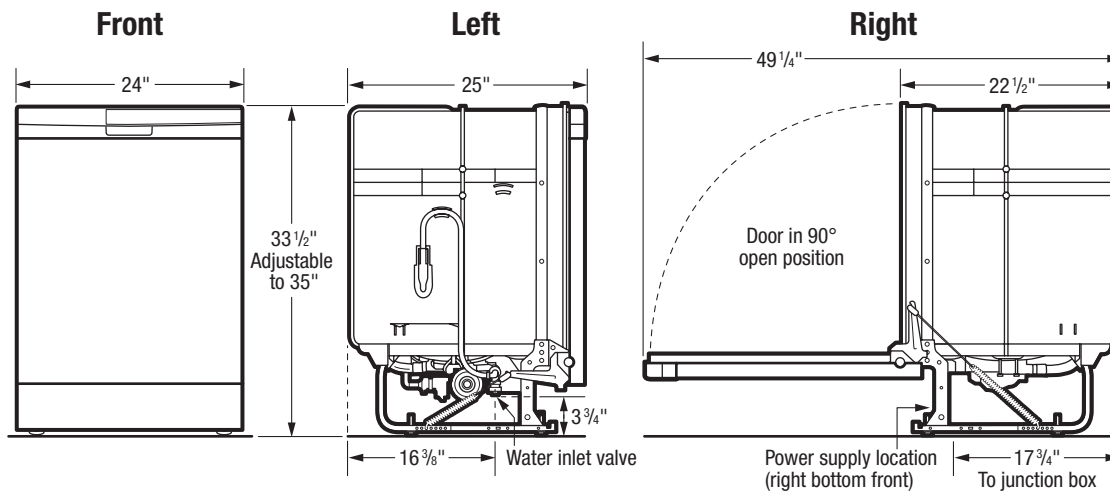
Note: For planning purposes only. Always consult local and national electric, gas and plumbing codes. Refer to Product Installation Guide for detailed installation instructions on the web at frigidaire.com / frigidaire.ca.
Specifications subject to change. Accessories information available on the web at frigidaire.com / frigidaire.ca

FRIGIDAIRE

USA • 10200 David Taylor Drive • Charlotte, NC 28262 • 1-800-FRIGIDAIRE • frigidaire.com
CANADA • 5855 Terry Fox Way • Mississauga, ON L5V 3E4 • 1-800-265-8352 • frigidaire.ca

FFCD2418U 07/18

© 2018 Electrolux Home Products, Inc.



INSTALLATION SPECIFICATIONS

- Product Shipping Weight (approx.) – 83 Lbs.
- Voltage Rating – 120V / 60 Hz / 15 Amps (maximum 20 Amps if connected with disposer)
- Connected Load (kW Rating) @ 120 Volts = 1.44 kW (For use on adequately wired 120V, dedicated circuit having 2-wire service with a separate ground wire. Appliance must be grounded for safe operation.)
- Amps @ 120V = 10 Amps
- Always consult local and national electric & plumbing codes. Meets requirements of ASSE 1006—integral air gap on supply.
- Water Pressure – Hot water line to dishwasher must provide between 20 and 120 pounds per square inch (psi) with at least 120°F hot water temperature.
- Make sure location has correct drain, water and electrical outlets to make connections—MUST be confined to shaded areas.
- Electrical and water supplies should enter cabinet opening on floor, or through back or side walls, as shown in shaded areas.
- Keep back free of drain, water & electrical supply.
- Connections preferably located toward left side of dishwasher. Do not cross drain, water or electrical lines in front of motor, blower or frame.
- If connecting drain hose to sink trap, local code may require installation of Air Gap Kit (not included).
- Leveling legs supplied to adjust height. (Note: Height only adjustable to 35-3/4" max. when installed in 35-3/4" max. standard cabinetry cutout. 5/16" min. clearance required from top of unit to underside of countertop. Dimensions do NOT include insulation — insulation blanket may be compressed during installation.)
- When installing adjacent to wall, cabinet or other obstruction that extends beyond front edge of unit, allow 2" minimum clearance between opened door and obstruction.
- Floor should be flat and free of obstructions with carpet removed to provide motor clearance.
- When installing at end of cabinet line, sides and back must be fully enclosed.
- Do not install unit under a cooktop, damage will occur.
- Recommended to seal cabinets, enclosing all sides of dishwasher, including underside of countertop, with oil-based paint or moisture-proof polyurethane to prevent possible steam/moisture damage.



Note: For planning purposes only. Always consult local and national electric, gas and plumbing codes. Refer to Product Installation Guide for detailed installation instructions on the web at frigidaire.com / frigidaire.ca. Specifications subject to change. Accessories information available on the web at frigidaire.com / frigidaire.ca