

SERVICE DATA SHEET

P/N: A06401801RevA
 Artwork: A06401801Rev001

FRIGIDAIRE

COLOR CODE

BK.....Black
 BU.....Blue
 PK.....Pink
 R.....Red
 Viol.....Violet
 W.....White
 Y.....Yellow
 R-Y.....Red/Yellow
 R-BK.....Red/Black

OPERATION

To start ----- **Close door fully to latch. Press START/CANCEL pad.**
 To delay start ----- **Close door fully to latch. Press DELAY START pad to select desired delay time.**
 To select a new cycle or option ----- **Press desired cycle and/or option pad. The indicator lights will change. Press START/CANCEL within 15 seconds to begin cycle.**
 To cancel a cycle ----- **Hold START/CANCEL pad for 3 seconds, the dishwasher will drain for 90 seconds, then shut off.**

WARNING

Disconnect electrical power at the fuse box or circuit breaker before servicing under this product. Electrical power may be present on some parts under this product, even if not in use.
 Failure to follow this warning could result in serious injury or death.

DISPLAY CODES (LED)

WASHING ----- **Washing portion of cycle.**
 SANITIZED ----- **The SANITIZATION criteria has been met. Indicator light switch off when door is closed.**
 DRYING ----- **Drying portion of cycle.**
 CLEAN ----- **Shows Completion of cycle. Indicator light will switch off when door is opened.**
 ALL LED's flashing ----- **All LED's flashing indicates power failure has occurred. Press START/CANCEL pad and re-select desired options and cycles.**
 START LED flashing ----- **The START LED will flash when the door is opened. Close the door and press START/CANCEL to resume cycle.**

WATER/SERVICE TEST

The water/service test, (WST) is a special function initiated from the power failure mode.

While in power failure mode - simultaneously press the HEAT DRY and START/CANCEL pads for one half second.

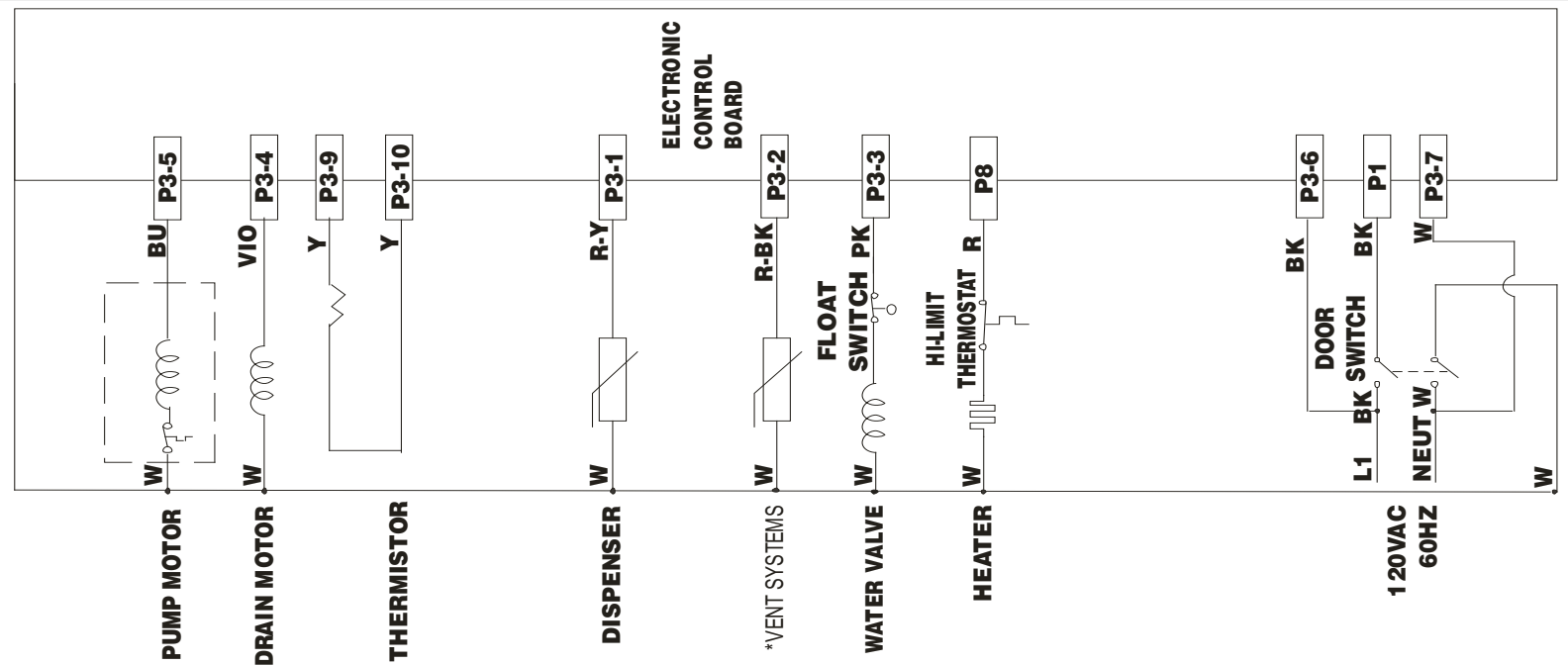
The dishwasher will then step through the test cycle per the chart. Pushing the START/CANCEL pad will advance the dishwasher to the next step.

To Exit the WST - Open and Close the door.

Interval Number	Description	Interval Duration Sec.	Component Activity										Notes
			Water Valve	Circulation Motor	Drain Motor	Heater	Dispenser	Vent	Washing LED	Sanitize LED	Drying LED	Clean LED	
1	Fill/Det. Dispenser	60	1	0	0	0	1	1	1	0	0	0	
2	Fill	27	1	0	0	0	0	1	1	0	0	0	
3	Wash	45	0	1	0	0	0	1	1	0	0	0	
4	Pause	0.4	0	0	0	1	0	1	1	0	0	0	
5	Wash/Heat	75	0	1	0	1	1	1	1	0	0	0	
6	Wash/Heat/Det. Disp.	60	0	1	0	1	0	1	1	0	0	0	
7	Drain	90	0	0	1	0	0	1	1	0	1	0	
8	Dry	90	0	0	1	x	0	0	0	1	0	0	
	End State		0	0	0	0	0	0	0	1	0	1	

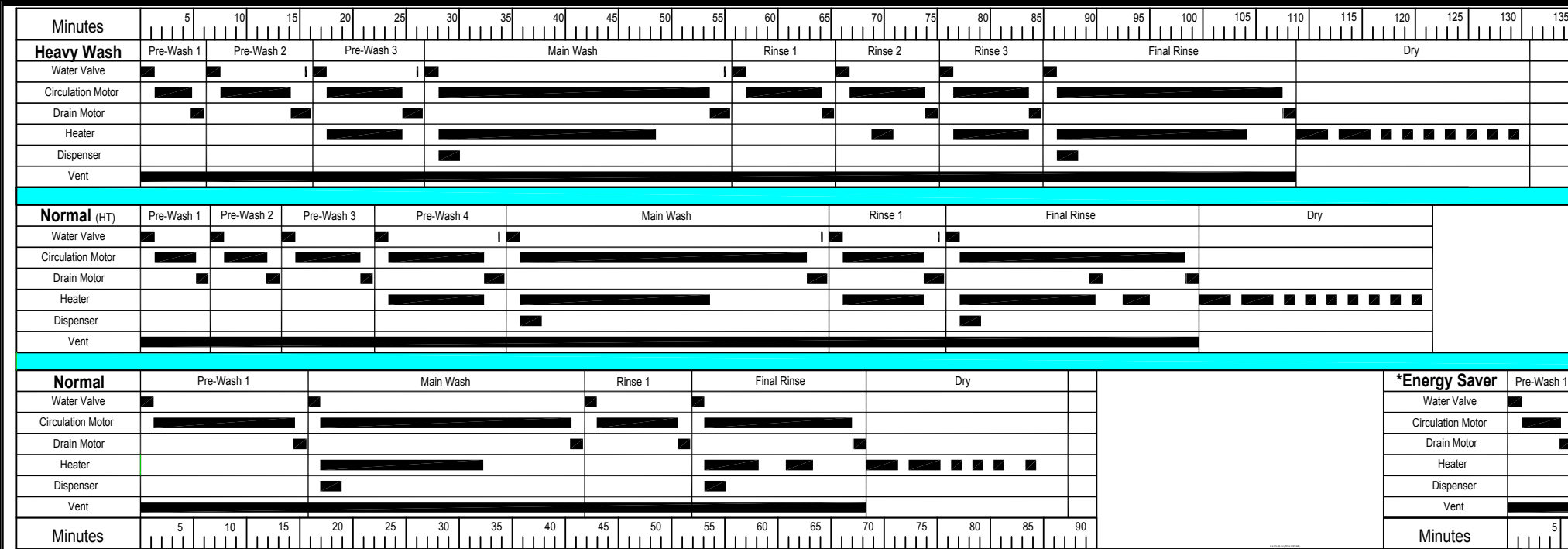
X - denotes selectable option
 Clean LED stays on until door is opened or cycle is started

WIRING DIAGRAM

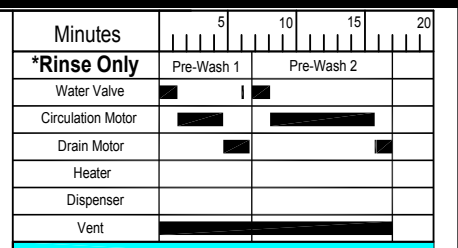


*SOME MODELS

CYCLE SELECTION OPTIONS

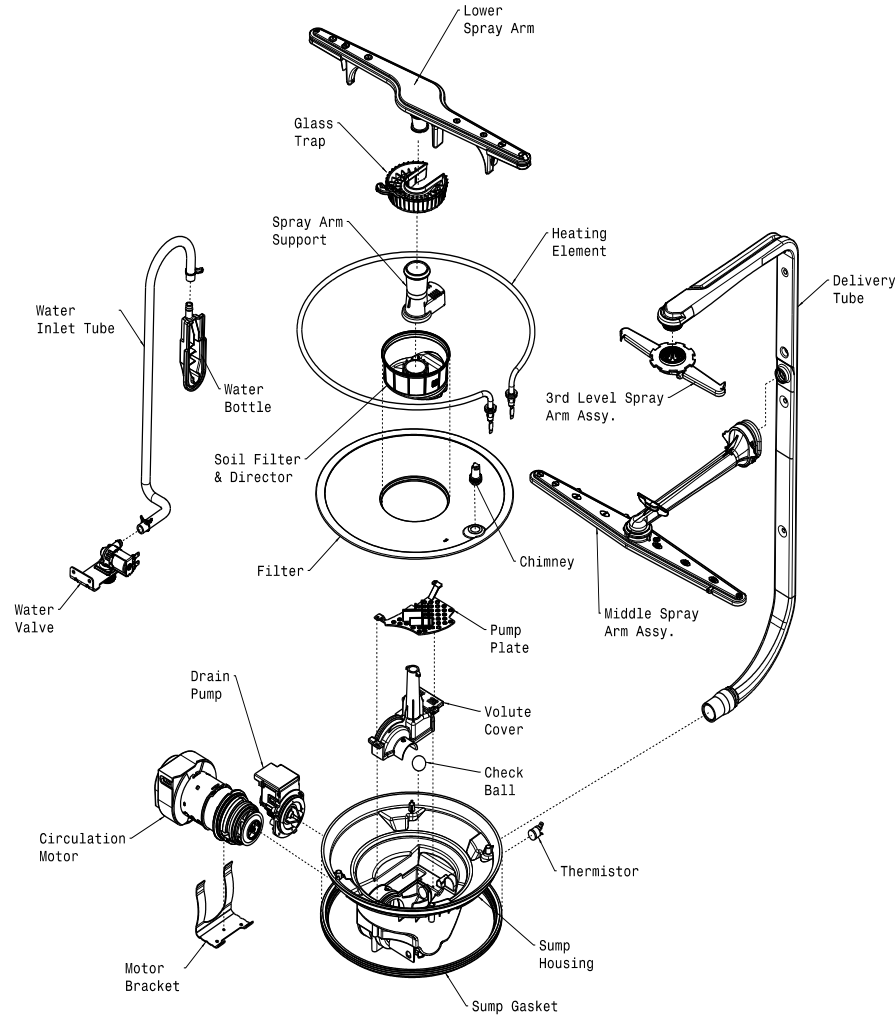


Note: The Main Wash and Final Rinse may be lengthened when needed to reach optimal wash temperatures.



* Some Models

EXPLODED VIEW OF WASH SYSTEM



Pump Assembly

The assembly is driven by a synchronous motor. Rotation is in the counterclockwise direction at 2900RPM. The motor drives a pump which supplies 100 percent filtered water at a rate of approximately 10.5 (40LMP) GPM to one spray arm at a time. The spray arm's operation is alternated by small "pauses" of the motor during the wash cycle.

Draining is accomplished by using a small separate synchronous drain pump mounted to the side of the sump. The drain check valve is located at the discharge end of the drain pump. The drain hose is attached by a worm gear clamp to the discharge end of the drain pump.

The drain hose must have a loop at a **minimum height of 32 inches** in order to insure proper drainage.

To remove the main circulation (circ) pump do the following in sequence: Shut off electricity to the dishwasher. Disconnect the wiring harness connections located at the circ pump's motor. Remove the two screws that hold the motor bracket. Slide the motor bracket away from the sump. The motor and pump, now held only by friction against O-rings, can be pulled out of the sump.

900 Watt Heater

Refer to the cycle chart on the reverse side to determine when the heater is on during the wash cycle. The heater cycles **ON** and **OFF** for brief periods during the drying cycle.

Voltage checks of the heater should be made in the dry portion of the service test mode.

Standard Dry Air Flow

When the control advances to the "dry" portion of the cycle heated, moist air leaves the dishwasher through the console vent. Drier air is then drawn into the unit through vents at the bottom of the door. Heat stored in the dishware causes the water on the dishes to evaporate into the drier air.

This process continues throughout the drying phase as the heating element is turned **ON** and **OFF**.

Detergent and Rinse Aid Dispenser

The detergent and rinse aid dispenser is a one piece component consisting of a molded detergent cup and a built-in rinse aid dispenser.

The detergent cup has a spring loaded cover and the rinse aid dispenser has a removable cover.

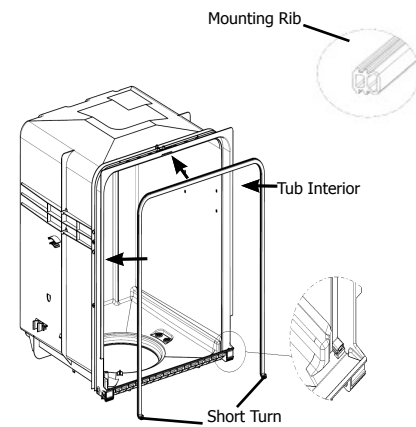
To re-fill, remove the cap and pour rinse aid in until the level shows above the bottom of the cylindrical opening and the sight gauge changes appearance. If any is spilled wipe it up before starting the cycle. The amount of rinse aid released

can be adjusted by turning the arrow indicator from one, being the least amount, to four, being the greatest amount.

To replace dispenser:

- shut off electricity to dishwasher,
- remove outer door panel assembly,
- disconnect wiring to the actuator,
- remove the six screws,
- remove the dispenser,
- replace and reinstall screws,
- rewire actuator.

Tub and Door Seal



Line up the center mark on the back of the seal with the tub top center and press it into the channel. Move along the channel left and right periodically pressing the seal into place without bunching or stretching it until going around the corners at the top. Next, place the free ends into the channel at the bottom left and right by creating a short turn at the bottom of the tub channel and ensuring the seal extends to the locator ridge at the bottom of the tub (see enlarged portion of the attached image). Then, press the seal periodically into place. Finally slide your fingers over the seal to press it fully in place. When complete a single face of the seal should be visible and flush with the edge of the channel.

Product Specifications

Electrical

Rating.....	120 Volts, 60Hz
Separate Circuit..	15 amp min.....- 20 amp max.
Motor (Amps).....	1.8
Heater Wattage.....	900
Total Amps (load rated).....	10.0
TempAssure.....	140°F±5°F (60°C±3°C) [with outer door in place]
TempBoost.....	145°F±5°F (63°C±3°C) Heated Wash/Heated Rinse
Sanitize.....	150°F±5°F (66°C±3°C)
Hi-Limit Thermostat	200°F (93°C)

Water Supply

Suggested minimum incoming water temperature.....	120°F (49°C)
Pressure (PSI) min./max.....	20/120
Connection.....	3/8" NPT or 3/4" Hose Thread Fitting
Consumption (Normal Cycle).....	4.9 - 9.7 U.S. gal., 18.5 - 36.7 liters
Water valve flow rate (U.S.GPM).....	83
Water recirculation (U.S. GPM).....	approx. 12
Water fill time.....	87 sec.

TROUBLE SHOOTING TIPS

⚠ WARNING

Personal Injury Hazard

Always disconnect the dishwasher from the electrical power source before adjusting or replacing components.

Symptom	Check the Following	Remedy
Dishwasher will not operate when turned on.	<ol style="list-style-type: none"> 1. Fuse (blown or tripped). 2. 120 VAC supply wiring connection faulty. 3. Electronic control board defective. 4. No 12 VAC power to control. 5. Motor (inoperative). 6. Door Switch (open contacts). 7. Door latch not making contact with door switch. 8. Touch pad circuit defective. 9. No indicator lamps illuminate when START or OPTIONS are pressed. 	<ol style="list-style-type: none"> 1. Replace fuse or reset breaker. 2. Repair or replace wire fasteners at dishwasher junction box. 3. Replace control board. 4. Replace control board. 5. Replace motor/impeller assembly. 6. Replace latch assembly. 7. Replace latch assembly. 8. Replace console assembly. 9. Replace console assembly.
Motor hums but will not start or run.	<ol style="list-style-type: none"> 1. Motor (bad bearings). 2. Motor stuck due to prolonged non-use. 	<ol style="list-style-type: none"> 1. Replace motor assembly. 2. Rotate motor impeller.
Motor trips out on internal thermal overload protector.	<ol style="list-style-type: none"> 1. Improper voltage. 2. Motor windings shorted. 3. Glass or foreign items in pump. 	<ol style="list-style-type: none"> 1. Check voltage. 2. Replace motor/impeller assembly. 3. Clean and clear blockage.
Dishwasher runs but will not heat.	<ol style="list-style-type: none"> 1. Heater element (open). 2. Electronic control board defective. 3. Wiring or terminal defective. 4. Hi-Limit thermostat defective. 5. Thermistor failure. 	<ol style="list-style-type: none"> 1. Replace heater element. 2. Replace control board. 3. Repair or replace. 4. Replace thermostat. 5. Replace turbidity sensor.
Detergent cover will not latch or open.	<ol style="list-style-type: none"> 1. Latch mechanism defective. 2. Electronic control board defective. 3. Wiring or terminal defective. 4. Broken spring (s). 5. Defective actuator. 	<ol style="list-style-type: none"> 1. Replace dispenser. 2. Replace control board. 3. Repair or replace. 4. Replace dispenser. 5. Replace dispenser.
Dishwasher will not pump out.	<ol style="list-style-type: none"> 1. Drain restricted. 2. Electronic control board defective. 3. Defective drain pump. 4. Blocked impeller. 5. Open windings. 6. Wiring or terminal defective. 	<ol style="list-style-type: none"> 1. Clear restrictions. 2. Replace control board. 3. Replace pump. 4. Check for blockage, clear. 5. Replace pump assembly. 6. Repair or replace.
Dishwasher will not fill with water.	<ol style="list-style-type: none"> 1. Water supply turned off. 2. Defective water inlet fill valve. 3. Check fill valve screen for obstructions. 4. Defective float switch. 5. Electronic control board defective. 6. Wiring or terminal defective. 7. Float stuck in "UP" position. 	<ol style="list-style-type: none"> 1. Turn water supply on. 2. Replace water inlet fill valve. 3. Disassemble and clean screen. 4. Repair or replace. 5. Replace control board. 6. Repair or replace. 7. Clean float.
Dishwasher water siphons out.	<ol style="list-style-type: none"> 1. Drain hose (high) loop too low. 2. Drain line connected to a floor drain not vented. 	<ol style="list-style-type: none"> 1. Repair to proper 32-inch minimum height. 2. Connect to a vented drain.
Detergent left in dispenser.	<ol style="list-style-type: none"> 1. Detergent allowed to stand too long in dispenser. 2. Dispenser wet when detergent was added. 3. Detergent cover held closed or blocked by large dishes. 4. Improper incoming water temperature to properly dissolve detergent. 5. See "Detergent cover will not open". 	<ol style="list-style-type: none"> 1. Instruct customer/user 2. Instruct customer/user 3. Instruct customer/user on proper loading of dishes. 4. Incoming water temperature of 120°F is required to properly dissolve dishwashing detergents.