

**TOWNSEND® ABOVE-COUNTER
RECTANGULAR SINK**

- 0329.004** Faucet holes on 4" (102mm) centers
- 0329.008** Faucet holes on 8" (203mm) centers
- 0329.001** Faucet holes - center hole only (illustrated)

- Fine fireclay
- Rectangular above counter sink
- Front overflow
- Sink has glazed back wall
- Design coordinates with **Townsend Collection**
- Supplied with cut-out template



Nominal Dimensions:

24" x 18"
(610 x 457 mm)

Bowl sizes:

16" (405 mm) wide
11" (280 mm) front-to-back
5" (128 mm) deep

Compliance Certifications -

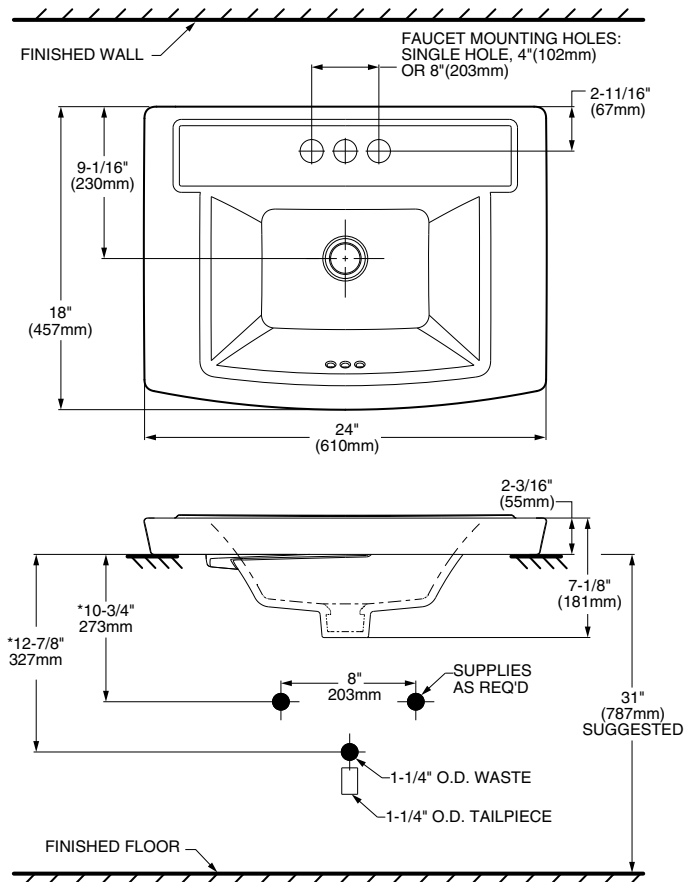
Meets or Exceeds the Following Specifications:

- ASME A112.19.2/CSA B 45.1

To Be Specified:

- Color: White Linen
- Faucet Finish:
- Supplies:
- 1-1/4" Trap:

* See faucet section for additional models available



NOTES:

* DIMENSIONS SHOWN FOR LOCATION OF SUPPLIES AND "P" TRAP ARE SUGGESTED. FITTINGS NOT INCLUDED WITH FIXTURE AND MUST BE ORDERED SEPARATELY. FOR COUNTERTOP CUTOUT AND INSTALLATION INSTRUCTIONS USE TEMPLATE SUPPLIED WITH SINK.

IMPORTANT: Dimensions of fixtures are nominal and may vary within the range of tolerances established by ANSI Standard A112.19.2. These measurements are subject to change or cancellation. No responsibility is assumed for use of superseded or voided pages.