

# INSTALLATION INSTRUCTIONS 24" (61.0 CM) ELECTRIC SINGLE AND DOUBLE BUILT-IN OVEN

## INSTRUCTIONS D'INSTALLATION FOUR ENCASTRÉ SIMPLE ET DOUBLE ÉLECTRIQUE DE 24" (61,0 CM)

### Table of Contents/Table des matières

<b>BUILT-IN OVEN SAFETY</b> .....	1	<b>SÉCURITÉ DU FOUR ENCASTRÉ</b> .....	8
<b>INSTALLATION REQUIREMENTS</b> .....	2	<b>EXIGENCES D'INSTALLATION</b> .....	8
Tools and Parts .....	2	Outillage et pièces .....	8
Location Requirements .....	2	Exigences d'emplacement .....	8
Electrical Requirements .....	4	Spécifications électriques .....	10
<b>INSTALLATION INSTRUCTIONS</b> .....	4	<b>INSTRUCTIONS D'INSTALLATION.</b> .....	11
Prepare Built-In Oven .....	4	Préparation du four encastré .....	11
Remove Oven Door(s) .....	4	Retirer le(s) porte(s) du four(s) .....	11
Make Electrical Connection .....	5	Raccordement électrique .....	11
Install Oven .....	6	Installation du four .....	12
Complete Installation .....	7	Achever l'installation .....	14
Remove Oven Trim (if necessary) .....	7	Dépose des garnitures du four (au besoin) .....	14

## BUILT-IN OVEN SAFETY

### Your safety and the safety of others are very important.

We have provided many important safety messages in this manual and on your appliance. Always read and obey all safety messages.



This is the safety alert symbol.

This symbol alerts you to potential hazards that can kill or hurt you and others.

All safety messages will follow the safety alert symbol and either the word "DANGER" or "WARNING."

These words mean:

**! DANGER**

You can be killed or seriously injured if you don't immediately follow instructions.

**! WARNING**

You can be killed or seriously injured if you don't follow instructions.

All safety messages will tell you what the potential hazard is, tell you how to reduce the chance of injury, and tell you what can happen if the instructions are not followed.

#### IMPORTANT:

Save for local electrical inspector's use.

#### IMPORTANT :

À conserver pour consultation par l'inspecteur local des installations électriques.

# INSTALLATION REQUIREMENTS

## Tools and Parts

Gather the required tools and parts before starting installation. Read and follow the instructions provided with any tools listed here.

### Tools Needed

- Phillips screwdriver
- Hand or electric drill (for wall cabinet installations)
- Measuring tape
- 1" (25 mm) drill bit (for wall cabinet installations)
- Level

### Parts Needed

- UL-listed or CSA-approved conduit connector
- UL-listed wire connectors

### Parts Supplied

- Four # 8-14 x 1" screws
- Right and left side trim
- Bottom vent (supplied on some models)
- Bottom vent trim
- Two # 8-18 x 3/8" screws – bottom vent

Check local codes. Check existing electrical supply. See "Electrical Requirements."

It is recommended that all electrical connections be made by a licensed, qualified electrical installer.

## Location Requirements

**IMPORTANT:** Observe all governing codes and ordinances.

- Cabinet opening dimensions that are shown must be used. Given dimensions provide minimum clearance with oven.
- Recessed installation area must provide complete enclosure around the recessed portion of the oven.
- Grounded electrical supply is required. See "Electrical Requirements" section.
- Electrical supply junction box should be located 3" (7.6 cm) maximum below the support surface when the oven is installed in a wall cabinet. A 1" (2.5 cm) minimum diameter hole should have been drilled in right rear or the left rear corner of the support surface to pass the appliance cable through to the junction box.

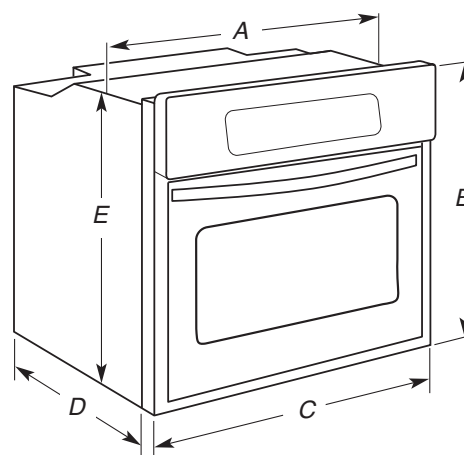
**NOTE:** For undercounter installation, it is recommended that the junction box be located in the adjacent right or left cabinet. If you are installing the junction box on rear wall behind oven, the junction box must be recessed and located in the upper or lower right or left corner of the cabinet; otherwise, the oven will not fit into the cabinet opening.

- Oven support surface must be solid, level, and flush with bottom of cabinet cutout. Floor must be able to support a single oven weight of 140 lbs (63.5 kg) or a double oven weight of 245 lbs (111.1 kg).

### Undercounter Installation (with cooktop installed above):

Ovens approved for this type of installation have an approval label located on the top of the oven. Refer to undercounter installation instructions for cutout dimensions and approved oven cooktop combinations (separate sheet).

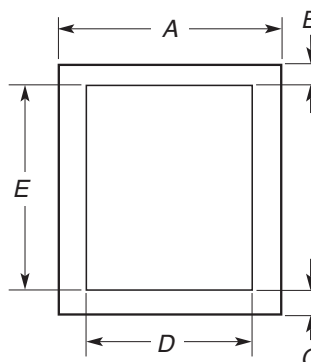
## Product Dimensions – Single Oven



- A. 22<sup>5</sup>/<sub>8</sub>" (56.8 cm) max. recessed width
- B. 29" (73.7 cm) max. overall height
- C. 23<sup>3</sup>/<sub>4</sub>" (60.3 cm) overall width
- D. 23" (58.4 cm) max. recessed depth
- E. 27<sup>1</sup>/<sub>2</sub>" (69.9 cm) recessed height

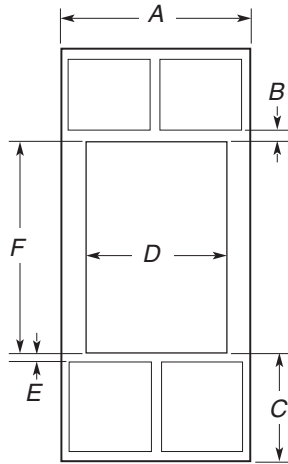
## Cabinet Dimensions – Single Oven

### Single Oven Undercounter (without cooktop installed above)



- A. 24" (61 cm) min. cabinet width
- B. 1<sup>1</sup>/<sub>2</sub>" (3.8 cm) min. top of cutout to underside of countertop
- C. 5<sup>1</sup>/<sub>4</sub>" (13.3 cm) bottom of cutout to floor
- D. 22<sup>5</sup>/<sub>8</sub>" (57.5 cm) cutout width
- E. 27<sup>3</sup>/<sub>4</sub>" (70.5 cm) min. cutout height

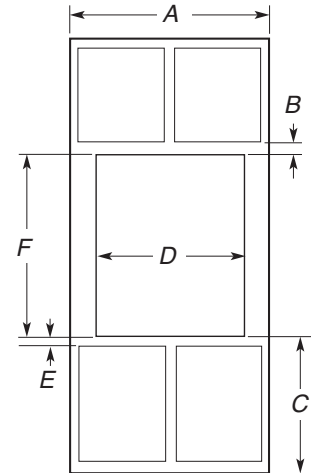
## Single Oven Installed in Cabinet



- A. 24" (61 cm) min. cabinet width
- B. 1" (2.5 cm) top of cutout to bottom of upper cabinet door
- C. 32" (81.3 cm) bottom of cutout to floor
- D. 22<sup>5</sup>/<sub>8</sub>" (57.5 cm) cutout width
- E. 1<sup>1</sup>/<sub>2</sub>" (3.8 cm) min. bottom of cutout to top of cabinet door
- F. 27<sup>3</sup>/<sub>4</sub>" (70.5 cm) min. cutout height

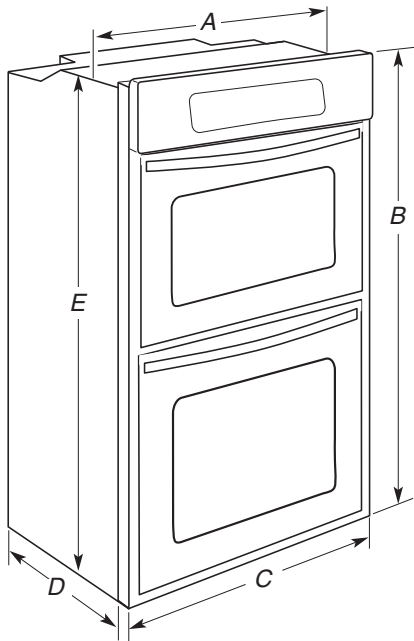
## Cabinet Dimensions – Double Oven

### Double Oven Installed in Cabinet



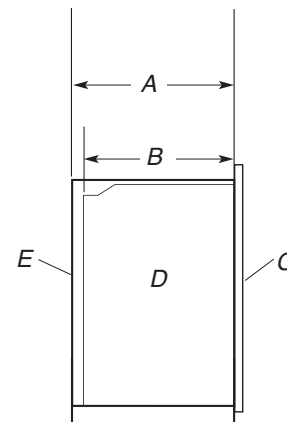
- A. 24" (61 cm) min. cabinet width
- B. 1" (2.5 cm) top of cutout to bottom of upper cabinet door
- C. 14<sup>3</sup>/<sub>4</sub>" (37.5 cm) bottom of cutout to floor
- D. 22<sup>5</sup>/<sub>8</sub>" (57.5 cm) cutout width
- E. 1<sup>1</sup>/<sub>2</sub>" (3.8 cm) min. bottom of cutout to top of cabinet door
- F. 49<sup>3</sup>/<sub>4</sub>" (126.4 cm) min. cutout height

## Product Dimensions – Double Oven



- A. 22<sup>5</sup>/<sub>8</sub>" (56.8 cm) max. recessed width
- B. 51" (129.5 cm) max. overall height
- C. 23<sup>3</sup>/<sub>4</sub>" (60.3 cm) overall width
- D. 23" (58.4 cm) max. recessed depth
- E. 49<sup>1</sup>/<sub>2</sub>" (125.7 cm) recessed height

## Cabinet Side View – Double or Single Oven



- A. 23<sup>1</sup>/<sub>4</sub>" (59.1 cm) min. cutout depth
- B. 23" (58.4 cm) recessed oven depth
- C. Oven front
- D. Recessed oven
- E. Cabinet

## Electrical Requirements

If codes permit and a separate ground wire is used, it is recommended that a qualified electrical installer determine that the ground path and wire gauge are in accordance with local codes.

Check with a qualified electrical installer if you are not sure the oven is properly grounded.

This oven must be connected to a grounded metal, permanent wiring system.

Be sure that the electrical connection and wire size are adequate and in conformance with the National Electrical Code, ANSI/NFPA 70 – latest edition or CSA Standards C22.1-94, Canadian Electrical Code, Part 1 and C22.2 No. O-M91 – latest edition, and all local codes and ordinances.

A copy of the above code standards can be obtained from:

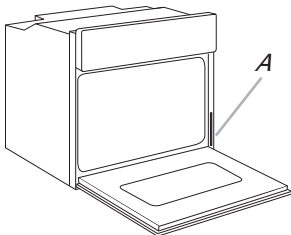
National Fire Protection Association  
1 Batterymarch Park  
Quincy, MA 02169-7471

CSA International  
8501 East Pleasant Valley Road  
Cleveland, OH 44131-5575

### Electrical Connection

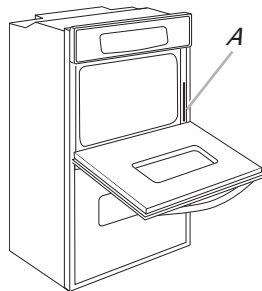
To properly install your oven, you must determine the type of electrical connection you will be using and follow the instructions provided for it here.

- Oven must be connected to the proper electrical voltage and frequency as specified on the model/serial number rating plate. The model/serial number rating plate is located on the right mounting rail. See the following illustration.



**Single oven**

A. Model/serial/rating plate



**Double oven**

A. Model/serial/rating plate

- Models rated from 7.3 to 9.6 kW at 240 volts (5.5 to 7.2 kW at 208 volts) require a separate 40-amp circuit. Models rated at 7.2 kW and below at 240 volts (5.4 kW and below at 208 volts) require a separate 30-amp circuit.
- A time-delay fuse or circuit breaker is recommended.
- Connect directly to the fused disconnect (or circuit breaker box) through flexible, armored, or nonmetallic sheathed, copper cable (with grounding wire). See “Make Electrical Connection” section.
- Flexible cable from the oven should be connected directly to the junction box.
- Fuse both sides of the line.
- Do not cut the conduit. The length of conduit provided is for serviceability of the oven.
- A UL-listed or CSA-approved conduit connector must be provided.

- If the house has aluminum wiring, follow the procedure below:

1. Connect a section of solid copper wire to the pigtail leads.
2. Connect the aluminum wiring to the added section of copper wire using special connectors and/or tools designed and UL listed for joining copper to aluminum.

Follow the electrical connector manufacturer’s recommended procedure. Aluminum/copper connection must conform with local codes and industry-accepted wiring practices.

## INSTALLATION INSTRUCTIONS

### Prepare Built-In Oven

1. Decide on the final location for the oven. Locate existing wiring to avoid drilling into or severing wiring during installation.

### **⚠ WARNING**

#### **Excessive Weight Hazard**

**Use two or more people to move and install oven.**

**Failure to do so can result in back or other injury.**

2. To avoid floor damage, set the oven onto cardboard prior to installation. Do not use handle or any portion of the front frame for lifting.

On models with shipping feet attached:

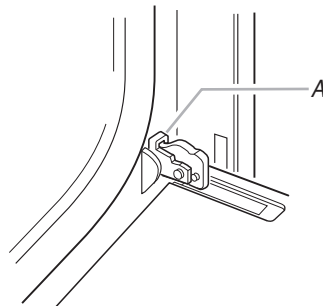
To avoid product damage, do not remove the shipping feet at the front lower corners of the oven. The shipping feet will protect the lower oven trim until the oven is inserted into cabinet.

3. Remove the shipping materials and tape from the oven.
4. Remove the hardware package from inside the bag containing literature.
5. Remove and set aside racks and other parts from inside the oven.
6. Move the oven and cardboard close to the oven’s final location.

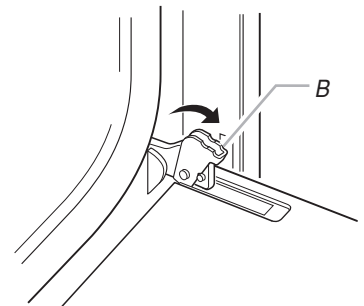
### Remove Oven Door(s)

**IMPORTANT:** Use both hands to remove oven doors.

1. Open the oven door.
2. Locate the oven door latches in both corners of the oven door, and rotate the latches forward to the unlocked position.

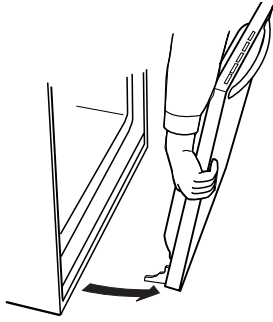


A. Oven door latch in locked position



A. Oven door latch in unlocked position

- Grasp the edges of the oven door with both hands and close the oven door until it will no longer close. Lift and pull oven door toward you and remove. Set the oven door aside on a covered work surface.



## Make Electrical Connection

### **! WARNING**



#### Electrical Shock Hazard

**Disconnect power before servicing.**

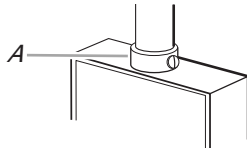
**Use 8 gauge solid copper wire.**

**Electrically ground oven.**

**Failure to follow these instructions can result in death, fire, or electrical shock.**

The oven is manufactured with a neutral (white) power supply wire and a cabinet-connected green (or bare) ground wire twisted together.

- Disconnect power.
- Feed the flexible conduit from the oven through the opening in the cabinet.
- Remove junction box cover if it is present.
- Install a UL-listed or CSA-approved conduit connector to the junction box.



A. UL-listed or CSA-approved conduit connector

- Route the flexible conduit from the oven to the junction box through a UL-listed or CSA-approved conduit connector.
- Tighten screws on conduit connector.
- See "Electrical Connection Options Chart" to complete installation for your type of electrical connection.

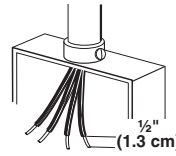
## Electrical Connection Options Chart

### If your home has:

### Go to section:

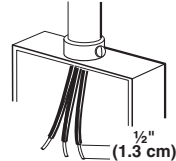
4-wire

4-Wire Cable from Home Power Supply



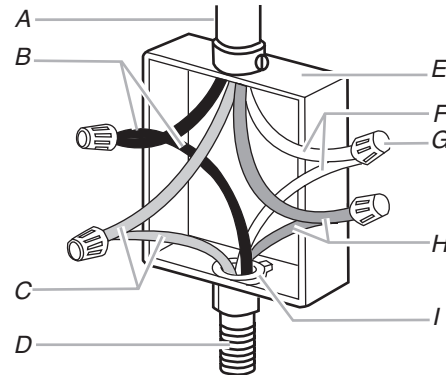
3-wire

3-Wire Cable from Home Power Supply



### 4-Wire Cable from Home Power Supply

**IMPORTANT:** Use the 4-wire cable from home power supply in the U.S. where local codes do not allow grounding through neutral, New Branch circuit installations (1996 NEC), mobile homes and recreational vehicles, new construction and in Canada.

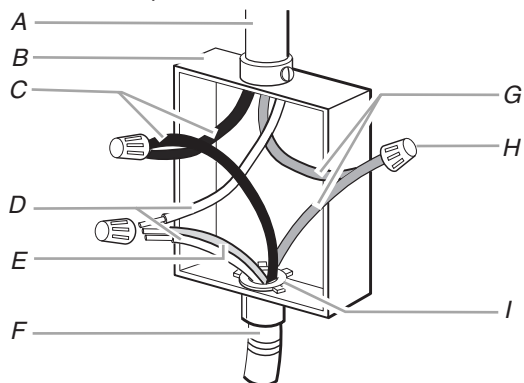


- A. Cable from home power supply
- B. Black wires
- C. Red wires
- D. 4-wire flexible cable from oven
- E. Junction box
- F. White wires
- G. UL-listed wire connectors
- H. Green (or bare) ground wires
- I. UL-listed or CSA-approved conduit connector

- Connect the 2 black wires (B) together using a UL-listed wire connector.
- Connect the 2 red wires (C) together using a UL-listed wire connector.
- Untwist white wire from green (or bare) ground wire coming from the oven.
- Connect the 2 white wires (F) together using a UL-listed wire connector.
- Connect the green (or bare) ground wire (H) from the oven cable to the green (or bare) ground wire (in the junction box) using a UL-listed wire connector.
- Install junction box cover.

### 3-Wire Cable from Home Power Supply – U.S. Only

**IMPORTANT:** Use the 3-wire cable from home power supply where local codes permit a 3-wire connection.



- A. Cable from home power supply
- B. Junction box
- C. Black wires
- D. White wires
- E. Green (or bare) ground wire (from oven)
- F. 4-wire flexible cable from oven
- G. Red wires
- H. UL-listed wire connectors
- I. UL-listed or CSA-approved conduit connector

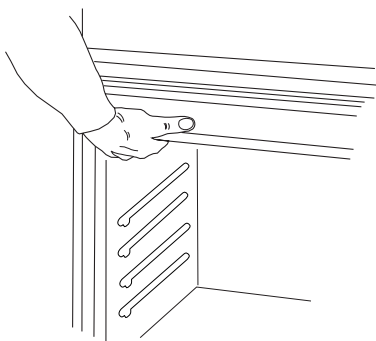
1. Connect the 2 black wires (C) together using a UL-listed wire connector.
2. Connect the 2 white wires (D) and the green (or bare) ground wire (of the oven cable) using a UL-listed wire connector.
3. Connect the 2 red wires (G) together using a UL-listed wire connector.
4. Install junction box cover.

### Install Oven

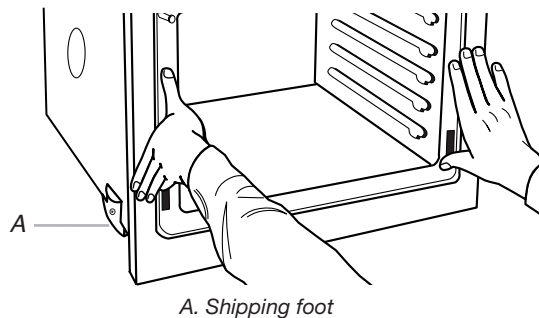
**NOTE:** Remove side and vent trims taped to oven before installing.

1. Using 2 or more people, lift oven partially into cabinet cutout. Use the oven opening as an area to grip.

**NOTE:** Push against seal area of oven front frame when pushing oven into cabinet. Do not push against outside edges.

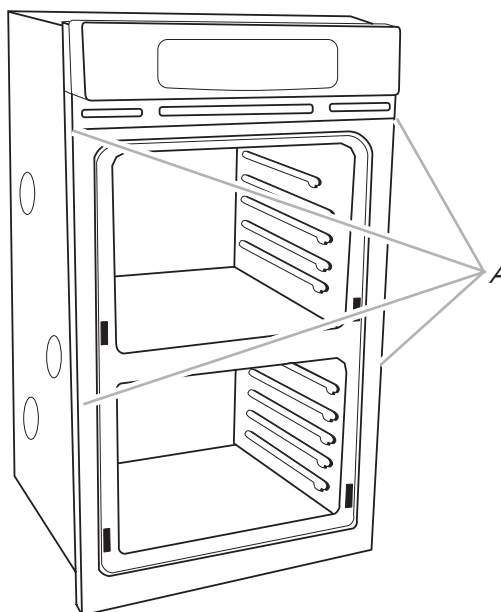


2. Push against seal area of front frame to push oven into cabinet.



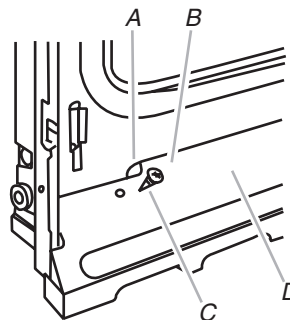
A. Shipping foot

3. Push oven completely into cabinet and center oven into cabinet cutout.
4. Securely fasten oven to cabinet using the # 8-14 x 1" screws (2 for single oven, 4 for double oven) provided. Insert the screws through holes in mounting rails. Do not overtighten screws.



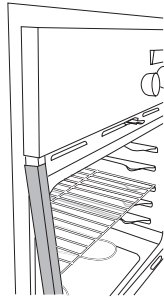
A. # 8-14 x 1" screws

5. See the following instructions to install.
  - Insert the vent tabs (B) into slots (A) in the oven frame.
  - With one # 8-18 x 3/8" screw (C) for each side of the vent, fasten vent securely to the oven.

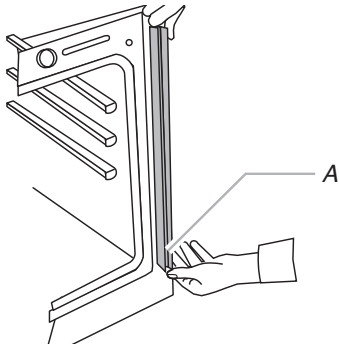


- A. Oven frame slot
- B. Vent tab
- C. # 8-18 x 3/8" screw
- D. Oven vent

- Slide top end of each trim piece upward onto oven side rails.



- Push each trim piece into place at bottom of trim.



A. Push trim into place and replace screw.

- Use screws to attach each trim piece to oven.
- Replace oven racks.
- Replace oven door by inserting ends of hinges into hinge slots in the oven frame.
- Push hinges in as far as they will go and open the oven door. You should feel the oven door drop into place.
- Rotate both hinge latches back to the locked position.
- Check that door is free to open and close. If it is not, repeat the removal and installation procedures. See "Remove Oven Trim" section.
- Repeat for lower oven door.
- Reconnect power.
- Display panel will light briefly, and "PF" should appear in the display.
- If display panel does not light, please reference the "Assistance or Service" section of the Use and Care Guide or contact the dealer from whom you purchased your oven.

## Complete Installation

- Check that all parts are now installed. If there is an extra part, go back through the steps to see which step was skipped.
- Check that you have all of your tools.
- Dispose of/recycle all packaging materials.
- For oven use and cleaning, read the Use and Care Guide.

### Check Operation of Single Oven

- Turn power on. "PF" should appear in the display.
- Press BROIL. "BROIL" will appear in the display.
- Press START. Make sure the oven door is closed and the "ON" light is shown in the display.

#### If oven(s) does not operate, check the following:

- Household fuse is intact and tight or circuit breaker has not tripped.
- Electrical supply is connected.
- See "Troubleshooting" section in the Use and Care Guide.

- When oven has been on for 5 minutes, feel for heat.

If you do not feel heat or if an "F" followed by a number appears in the display, turn off the oven and contact a qualified technician.

- Press CANCEL.

### Check Operation of Double Oven

- Turn power on. "PF" should appear in the display.
- Press UPPER OVEN or LOWER OVEN to select the oven you are testing.
- Repeat "Check Operation of Single Oven" steps 2–5.

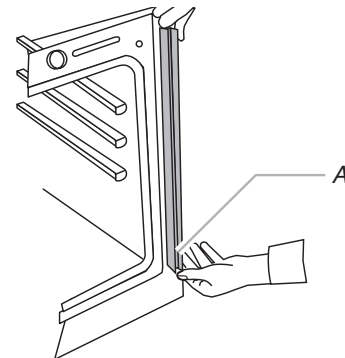
To set the clock and other oven functions, refer to the Use and Care Guide.

### If you need Assistance or Service:

Please reference the "Assistance or Service" section of the Use and Care Guide or contact the dealer from whom you purchased your built-in oven.

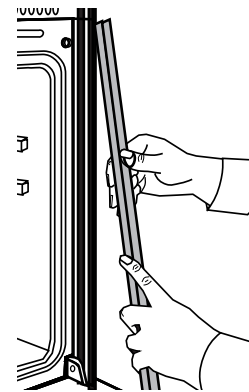
## Remove Oven Trim (if necessary)

- Remove bottom screw on each side of the oven trim.
- Grasp the bottom end of trim and pull away from oven.



A. Remove trim screw and pull out.

- Slide top end of trim downward to remove trim from oven. Set trim aside.



# SÉCURITÉ DU FOUR ENCASTRÉ

## Votre sécurité et celle des autres est très importante.

Nous donnons de nombreux messages de sécurité importants dans ce manuel et sur votre appareil ménager. Assurez-vous de toujours lire tous les messages de sécurité et de vous y conformer.



Voici le symbole d'alerte de sécurité.

Ce symbole d'alerte de sécurité vous signale les dangers potentiels de décès et de blessures graves à vous et à d'autres.

Tous les messages de sécurité suivront le symbole d'alerte de sécurité et le mot "DANGER" ou "AVERTISSEMENT". Ces mots signifient :

**⚠ DANGER**

**Risque possible de décès ou de blessure grave si vous ne suivez pas immédiatement les instructions.**

**⚠ AVERTISSEMENT**

**Risque possible de décès ou de blessure grave si vous ne suivez pas les instructions.**

Tous les messages de sécurité vous diront quel est le danger potentiel et vous disent comment réduire le risque de blessure et ce qui peut se produire en cas de non-respect des instructions.

## EXIGENCES D'INSTALLATION

### Outils et pièces

Rassembler les outils et pièces nécessaires avant d'entreprendre l'installation. Lire et observer les instructions fournies avec chacun des outils de la liste ci-dessous.

#### Outils nécessaires

- Tournevis Phillips
- Mètre ruban
- Niveau
- Perceuse manuelle ou électrique (pour installation dans un placard mural)
- Foret de 1" (2,5 cm) (pour installation dans un placard mural)

#### Pièces nécessaires

- Un connecteur de conduit (homologation UL ou CSA)
- Connecteurs de fils (homologation UL)

#### Pièces fournies

- Quatre vis n° 8-14 x 1"
- Garniture à droit ou à gauche
- Évent inférieur (fourni sur quelques modèles)
- Garniture d'évent inférieur
- Deux vis n° 8-18 x 3/8" – évent inférieur

Consulter les codes locaux. Vérifier l'alimentation électrique existante. Voir "Spécifications électriques".

Il est recommandé de faire réaliser tous les raccordements électriques par un électricien qualifié agréé.

### Exigences d'emplacement

**IMPORTANT :** Observer les dispositions de tous les codes et règlements en vigueur.

- Respecter les dimensions indiquées pour les ouvertures à découper dans les placards. Ces dimensions tiennent compte des dégagements de séparation minimaux nécessaires pour le four.
- L'espace d'installation dans un encastrement doit permettre la formation d'une enceinte complète autour de la partie encastrée du four.
- Une source d'électricité avec liaison à la terre est nécessaire. Voir la section "Spécifications électriques".
- Le boîtier de raccordement doit être situé au maximum à 3" (7,6 cm) au-dessous de la surface de support lorsque le four est installé dans un placard mural. Un trou de diamètre 1" (2,5 cm) ou plus doit avoir été percé dans l'angle arrière gauche ou droit de la surface de support pour le passage du câble d'alimentation de l'appareil jusqu'au boîtier de connexion.

**REMARQUE :** Pour l'installation sous un plan de travail, on recommande que le boîtier de connexion soit situé dans le placard adjacent, à droite ou à gauche. Dans le cas de l'installation du boîtier de connexion sur le mur arrière, derrière le four, le boîtier de connexion doit être encastré et placé dans l'angle inférieur ou supérieur du placard, à gauche ou à droite; sinon le four ne pourra pas passer dans l'ouverture de placard destinée à le recevoir.

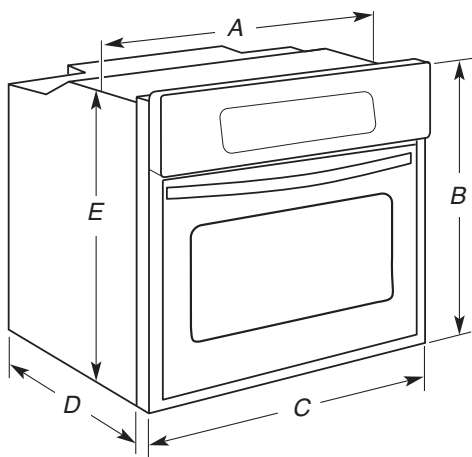
- La surface de support du four doit être robuste, d'aplomb et en affleurement avec le bas de la cavité d'encastrement du placard. Le plancher doit pouvoir soutenir le poids d'un four simple, soit 140 lb (63,5 kg), ou d'un four double, soit 245 lb (111,1 kg).

#### Installation sous un plan de travail (avec table de cuisson installée au-dessus) :

Les fours homologués pour ce type d'installation comportent une étiquette d'homologation placée sur le dessus du four. Voir les instructions d'installation sous le plan de travail pour connaître les dimensions de l'ouverture à réaliser et les combinaisons approuvées four/table de cuisson (document distinct).



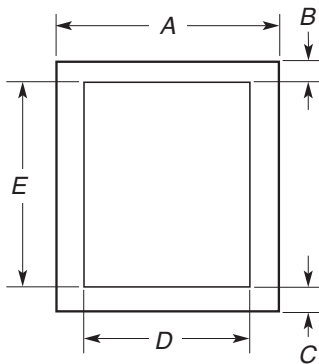
## Dimensions du produit – Four simple



- A. Largeur d'encastrement 22 $\frac{3}{8}$ " (56,8 cm) max.
- B. Hauteur totale 29" (73,7 cm) max.
- C. Largeur totale 23 $\frac{3}{4}$ " (60,3 cm)
- D. Profondeur d'encastrement 23" (58,4 cm) max.
- E. Hauteur d'encastrement 27 $\frac{1}{2}$ " (69,9 cm)

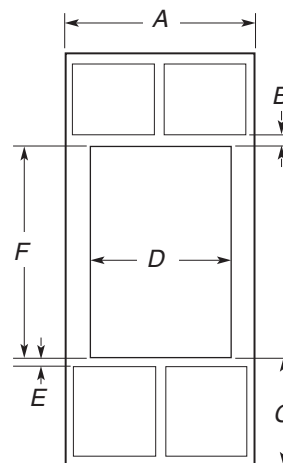
## Dimensions du placard – Four simple

### Four simple sous le plan de travail (sans table de cuisson au-dessus)



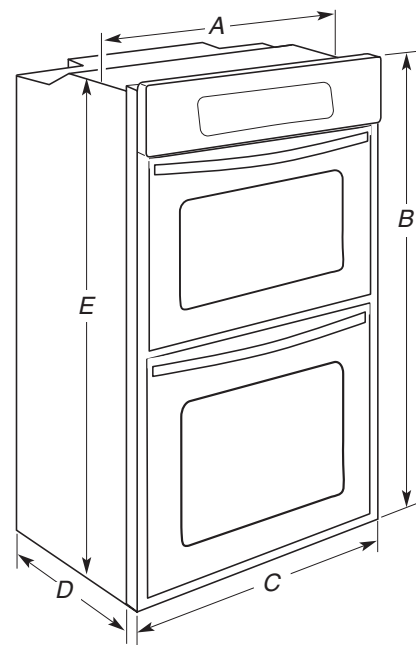
- A. 24" (61 cm) min. de largeur de placard
- B. 1 $\frac{1}{2}$ " (3,8 cm) min. du dessus de l'encastrement au dessous du plan de travail
- C. 5 $\frac{1}{4}$ " (13,3 cm) du fond de l'encastrement au plancher
- D. 22 $\frac{5}{8}$ " (57,5 cm) de largeur pour l'ouverture découpée
- E. 27 $\frac{3}{4}$ " (70,5 cm) min. de hauteur d'encastrement

## Four simple installé dans un placard



- A. 24" (61 cm) min. de largeur de placard
- B. 1" (2,5 cm) entre le sommet de l'encastrement et le bas de la porte du placard supérieur
- C. 32" (81,3 cm) du fond de l'encastrement au plancher
- D. 22 $\frac{5}{8}$ " (57,5 cm) de largeur pour l'ouverture découpée
- E. 1 $\frac{1}{2}$ " (3,8 cm) min. du fond de l'encastrement au dessus de la porte du placard
- F. 27 $\frac{3}{4}$ " (70,5 cm) min. de hauteur d'encastrement

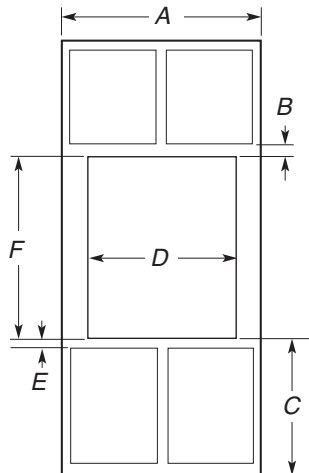
## Dimensions du produit – Four double



- A. Largeur d'encastrement 22 $\frac{3}{8}$ " (56,8 cm) max.
- B. Hauteur totale 51" (129,5 cm) max.
- C. Largeur totale 23 $\frac{3}{4}$ " (60,3 cm)
- D. Profondeur d'encastrement 23" (58,4 cm) max.
- E. Hauteur d'encastrement 49 $\frac{1}{2}$ " (125,7 cm)

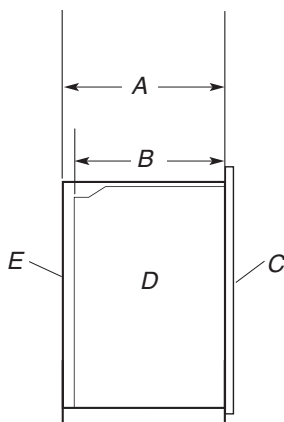
## Dimensions du placard – Four double

### Four double installé dans un placard



- A. 24" (61 cm) min. de largeur de placard
- B. 1" (2,5 cm) entre le sommet de l'encastrement et le bas de la porte du placard supérieur
- C. 14<sup>3</sup>/<sub>4</sub>" (37,5 cm) du fond de l'encastrement au plancher
- D. 22<sup>5</sup>/<sub>8</sub>" (57,5 cm) de largeur pour l'ouverture découpée
- E. 1<sup>1</sup>/<sub>2</sub>" (3,8 cm) min. du fond de l'encastrement au dessus de la porte du placard
- F. 49<sup>3</sup>/<sub>4</sub>" (126,4 cm) min. de hauteur d'encastrement

### Vue de côté du placard – Four double ou simple



- A. 23<sup>1</sup>/<sub>4</sub>" (59,1 cm) min. de profondeur d'encastrement
- B. 23" (58,4 cm) de profondeur du four encastré
- C. Avant du four
- D. Four encastré
- E. Placard

## Spécifications électriques

Si l'on utilise un conducteur distinct de liaison à la terre lorsque les codes le permettent, il est recommandé qu'un électricien qualifié vérifie que la liaison à la terre et le calibre des conducteurs sont conformes aux codes locaux.

En cas de doute quant à la qualité de la liaison à la terre du four, consulter un électricien qualifié.

Ce four doit être raccordé à un système permanent, métallique de câblage relié à la terre.

S'assurer que la connexion électrique et le calibre des fils sont appropriés et conformes au National Electrical Code, aux normes ANSI/NFPA 70 – dernière édition, ou aux normes CSA C22.1-94, au Code canadien de l'électricité, Partie 1 et C22.2 N° O-M91 – dernière édition, et à tous les codes et règlements locaux.

Pour obtenir un exemplaire des normes des codes ci-dessus, contacter :

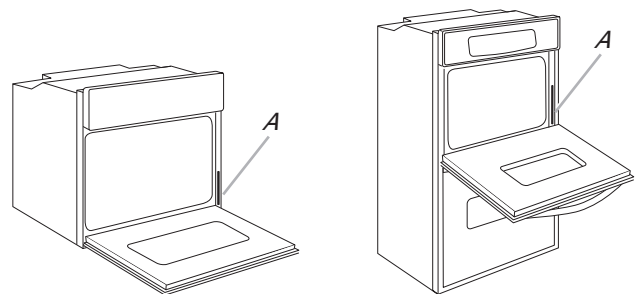
National Fire Protection Association  
1 Batterymarch Park  
Quincy, MA 02169-7471

CSA International  
8501 East Pleasant Valley Road  
Cleveland, OH 44131-5575

### Raccordement électrique

Pour installer le four correctement, il faut établir le type de raccords électriques que l'on utilisera et suivre les instructions indiquées ici.

- Le four doit être alimenté par une source d'électricité appropriée (caractéristiques de tension et fréquence spécifiées sur la plaque signalétique). La plaque signalétique se trouve sur la glissière de montage droite. Voir l'illustration ci-dessous.



#### Four simple

A. Plaque signalétique

#### Four double

A. Plaque signalétique

- Un modèle de 7,3 à 9,6 kW/240 volts (5,5 à 7,2 kW/208 volts) doit être alimenté par un circuit indépendant de 40 A. Un modèle de 7,2 kW et moins/240 volts (5,4 kW et moins/208 volts) doit être alimenté par un circuit indépendant de 30 A.
- On recommande d'utiliser un fusible ou un disjoncteur temporisé.
- Raccorder l'appareil directement au tableau de distribution (fusible ou disjoncteur) par un câble à conducteur de cuivre à gaine flexible et blindage métallique ou à gaine non métallique (avec conducteur de liaison à la terre). Voir la section "Raccordement électrique".
- Le câble flexible du four doit être connecté directement au boîtier de connexion.
- Installer un fusible aux deux extrémités de la ligne.
- Ne pas couper le conduit. La longueur du conduit fourni est destinée à faciliter l'entretien/le dépannage éventuel du four.
- L'installateur doit fournir un connecteur de conduit (homologation UL ou CSA).

■ Si le domicile est équipé d'un câblage en aluminium, suivre les instructions suivantes :

1. Raccorder une section de câble en cuivre massif aux conducteurs en queue de cochon.
2. Connecter le câblage en aluminium à la section ajoutée de câblage en cuivre en utilisant des connecteurs et/ou des outils spécialement conçus et homologués UL pour fixer le cuivre à l'aluminium.

Suivre la procédure recommandée par le fabricant de connecteurs électriques. Les raccordements aluminium/cuivre doivent satisfaire aux prescriptions des codes locaux et de l'industrie, et être conformes aux pratiques de câblage reconnues.

## INSTRUCTIONS D'INSTALLATION

### Préparation du four encastré

1. Choisir l'emplacement final pour l'installation du four. Repérer le câblage existant pour éviter de le percer ou de l'endommager lors de l'installation.

### **⚠ AVERTISSEMENT**

#### Risque du poids excessif

Utiliser deux ou plus de personnes pour déplacer et installer le four.

Le non-respect de cette instruction peut causer une blessure au dos ou d'autre blessure.

2. Pour éviter d'endommager le plancher, placer le four sur une feuille de carton avant l'installation. Lors des opérations de levage, ne pas prendre prise sur la poignée ou sur une autre partie du châssis avant.

Sur les modèles avec pieds installés pour l'expédition :

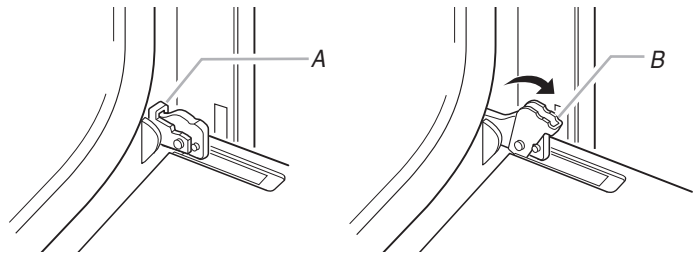
Pour éviter d'endommager le produit, ne pas enlever les pieds installés pour l'expédition au niveau des angles avant/inférieurs du four. Les pieds protègent la garniture inférieure du four jusqu'à son insertion dans l'espace d'installation entre les placards.

3. Enlever les matériaux d'emballage et le ruban adhésif du four.
4. Enlever le matériel à l'intérieur du sachet de documentation.
5. Enlever et conserver à part les grilles et autres composants qu'on trouve à l'intérieur du four.
6. Approcher le four et le carton de l'emplacement final du four.

### Retirer le(s) porte(s) du four(s)

**IMPORTANT :** Retirer les portes des fours avec les deux mains.

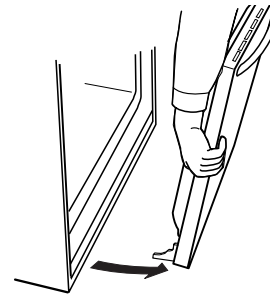
1. Ouvrir la porte du four.
2. Identifier les loquets de charnière de la porte du four dans les deux angles de la porte; faire pivoter les loquets de charnière vers la porte du four jusqu'à la position de déverrouillage.



A. Loquet de charnière de la porte du four en position de verrouillage

B. Loquet de charnière de la porte du four en position de déverrouillage

3. Saisir les bords de la porte du four avec les deux mains et effectuer une manœuvre de fermeture de la porte du four, jusqu'à la position où la fermeture de la porte n'est plus possible. Soulever et tirer la porte du four vers soi et enlever la porte. Conserver la/les porte(s) du four à part sur la surface de travail couverte.



### Raccordement électrique

### **⚠ AVERTISSEMENT**



#### Risque de choc électrique

Déconnecter la source de courant électrique avant l'entretien.

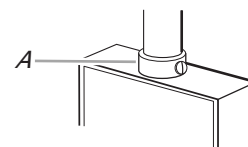
Utiliser du fil en cuivre rigide de calibre 8.

Relier le four à la terre.

Le non-respect de ces instructions peut causer un décès, un incendie ou un choc électrique.

Le câblage d'alimentation de ce four comporte un conducteur neutre (blanc) et un conducteur vert (ou nu) de liaison à la terre connecté à la caisse; ces deux conducteurs sont torsadés.

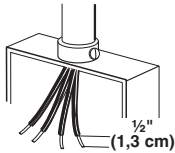
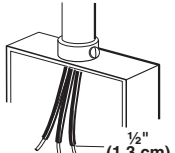
1. Déconnecter la source de courant électrique.
2. Faire passer le conduit de câble flexible depuis le four à travers l'ouverture dans le placard.
3. Le cas échéant, enlever le couvercle du boîtier de connexion.
4. Installer un connecteur de conduit (homologation UL ou CSA) sur le boîtier de connexion.



A. Connecteur de conduit (homologation UL ou CSA)

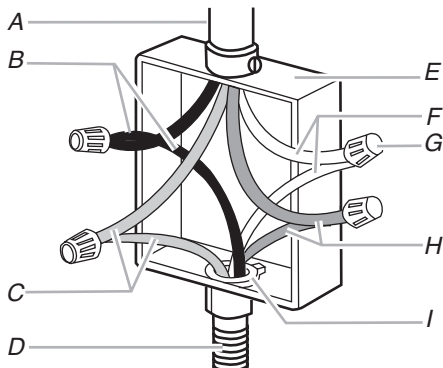
5. Acheminer le conduit de câble flexible depuis le four jusqu'au boîtier de connexion – utiliser un connecteur de conduit (homologation UL ou CSA).
6. Serrer les vis sur le connecteur de conduit.
7. Voir "Tableau des options de raccordement électrique" pour terminer l'installation correspondant à votre type de raccordement électrique.

### Tableau des options de raccordement électrique

Câblage de la maison :	Voir la section :
4-conducteurs 	Câble à 4 conducteurs depuis le point de distribution du domicile
3-conducteurs 	Câble à 3 conducteurs depuis le point de distribution du domicile

### Câble à 4 conducteurs depuis le point de distribution du domicile

**IMPORTANT :** Utiliser le câble à 4 conducteurs provenant du point de distribution du domicile aux États-Unis lorsque les codes locaux ne permettent pas la mise à la terre par l'intermédiaire du conducteur neutre, en cas de nouvelle installation avec alimentation par un circuit secondaire (1996 NEC), dans les résidences mobiles et les véhicules récréatifs, dans les nouvelles constructions, et au Canada.

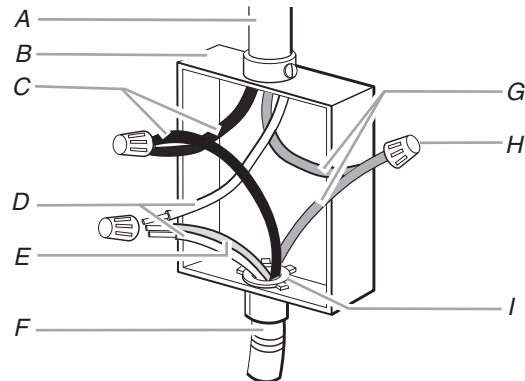


- |  |   |
|--|---|
| A. Câble depuis le point de distribution du domicile | F. Conducteurs blancs                               |
| B. Conducteurs noirs                                 | G. Connecteurs de fils (homologation UL)            |
| C. Conducteurs rouges                                | H. Conducteurs verts (ou nus) de liaison à la terre |
| D. Câble flexible à 4 conducteurs depuis le four     | I. Connecteur de conduit (homologation UL ou CSA)   |
| E. Boîtier de connexion                              |   |

1. Connecter ensemble les 2 conducteurs noirs (B) avec un connecteur de fils (homologation UL).
2. Connecter ensemble les 2 conducteurs rouges (C) avec un connecteur de fils (homologation UL).
3. Détorsader le conducteur blanc du conducteur vert (ou nu) de liaison à la terre provenant du four.
4. Connecter ensemble les 2 conducteurs blancs (F) avec un connecteur de fils (homologation UL).
5. Connecter le conducteur vert (ou nu) de liaison à la terre (H) du câble du four au conducteur vert (ou nu) de liaison à la terre dans le boîtier de connexion – utiliser un connecteur de fils (homologation UL).
6. Installer le couvercle du boîtier de connexion.

### Câble à 3 conducteurs depuis le point de distribution du domicile – É.-U. seulement

**IMPORTANT :** Utiliser le câble à 3 conducteurs depuis le point de distribution du domicile lorsque les codes locaux autorisent un tel raccordement.



- |  |   |
|--|---|
| A. Câble de l'alimentation électrique du domicile                    | F. Câble flexible à 4 conducteurs depuis le four  |
| B. Boîtier de connexion  | G. Conducteurs rouges                             |
| C. Conducteurs noirs   | H. Connecteurs de fils (homologation UL)          |
| D. Conducteurs blancs  | I. Connecteur de conduit (homologation UL ou CSA) |
| E. Conducteurs verts (ou nus) de liaison à la terre (depuis le four) |   |

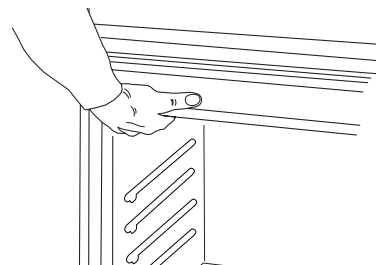
1. Connecter ensemble les 2 conducteurs noirs (C) avec un connecteur de fils (homologation UL).
2. Connecter les 2 conducteurs blancs (D) et le conducteur vert (ou nu) de liaison à la terre (du câble du four) avec un connecteur de fils (homologation UL).
3. Connecter ensemble les 2 conducteurs rouges (G) avec un connecteur de fils (homologation UL).
4. Installer le couvercle du boîtier de connexion.

### Installation du four

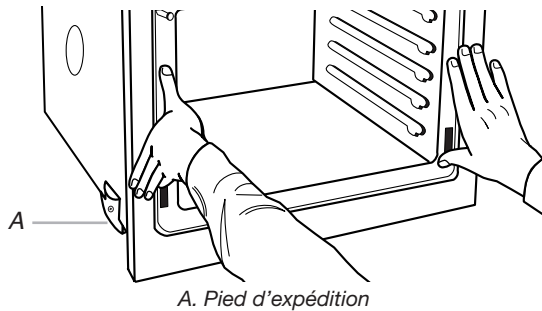
**REMARQUE :** Enlever les garnitures de côté et d'évent enregistrés sur bande au four avant de l'installer.

1. À 2 personnes ou plus, soulever et introduire partiellement le four dans l'ouverture du placard. Utiliser l'ouverture du four comme zone de prise.

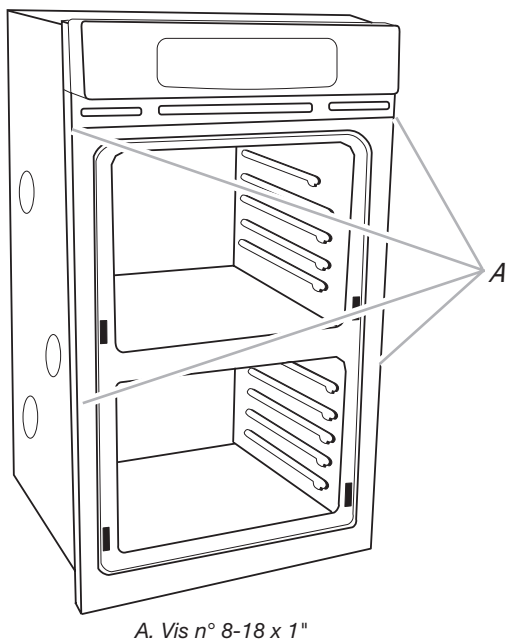
**REMARQUE :** Pousser le four pour l'introduire dans le placard en appuyant sur la zone du joint du four sur le châssis avant. Ne pas pousser les bords extérieurs.



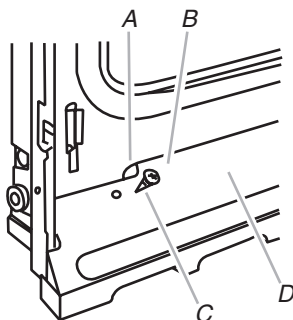
2. Pousser contre la zone du joint du châssis avant pour introduire le four dans le placard.



3. Pousser complètement le four dans le placard; centrer le four dans la cavité du placard.
4. Fixer solidement le four au placard à l'aide des vis n° 8-14 x 1" fournies (2 pour un four simple, 4 pour un four double). Insérer les vis à travers les trous des glissières de montage. Ne pas serrer excessivement les vis.

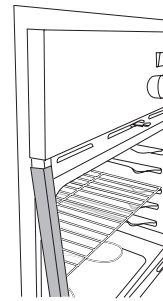


5. Pour l'installation, procéder selon les instructions suivantes.
- Insérer les onglets d'évent (B) dans les trous (A) dans le châssis du four.
  - Avec une vis n° 8-18 x 3/8" (C) pour chaque côté de l'onglet de l'évent (B), fixer solidement l'évent au four.

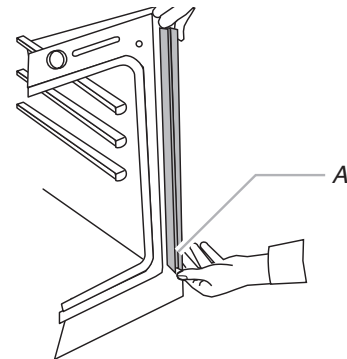


A. Trou du châssis du four  
 B. Onglet de l'évent  
 C. Vis n° 8-18 x 3/8"  
 D. Évent du four

6. Faire glisser l'extrémité supérieure de chaque pièce de garniture, vers le haut, dans les rails latéraux du four.



7. Appuyer pour insérer chaque pièce de garniture et la mettre en place à l'extrémité inférieure.



A. Appuyer pour la mise en place de la pièce de garniture et réinstaller la vis.

8. Utiliser des vis pour fixer chaque pièce de garniture sur le four.
9. Réinstaller les grilles du four.
10. Réinstaller la porte du four – insérer les extrémités des charnières dans les ouvertures destinées à les recevoir sur le châssis du four.
11. Enfoncer les charnières aussi loin qu'elles peuvent aller et ouvrir la porte du four. On doit percevoir le mouvement de la porte du four lorsqu'elle se met en place.
12. Faire pivoter les deux charnières jusqu'à la position de verrouillage.
13. Effectuer quelques manœuvres d'ouverture/fermeture de la porte du four pour en vérifier le bon fonctionnement. Si tel n'est pas le cas, répéter la procédure de dépose et de repose de la porte. Voir la section "Dépose des garnitures du four".
14. Répéter cette procédure pour la porte du four inférieur.
15. Rétablir l'alimentation électrique.
16. Le tableau d'affichage s'allume brièvement et "PF" devrait apparaître sur l'affichage.
17. Si le tableau d'affichage ne s'allume pas, consulter la section "Assistance ou service" du guide d'utilisation et d'entretien ou contacter le marchand qui vous a vendu le four.

## Achever l'installation

1. Vérifier que toutes les pièces sont maintenant installées. S'il reste une pièce, passer en revue les différentes étapes pour découvrir laquelle aurait été oubliée.
2. Vérifier la présence de tous les outils.
3. Jeter et recycler tous les matériaux d'emballage.
4. Pour l'utilisation et le nettoyage du four, lire le Guide d'utilisation et d'entretien.

### Vérification du fonctionnement du four simple

1. Mettre l'appareil sous tension. "PF" devrait apparaître dans l'afficheur.
2. Appuyer sur BROIL (cuisson au gril). L'afficheur indique "BROIL".
3. Appuyer sur START (mise en marche). S'assurer que la porte du four est fermée et que le témoin lumineux "ON" (marche) est allumé sur l'affichage.

#### Si le four ne fonctionne pas, contrôler ce qui suit :

- Les fusibles du domicile sont intacts et serrés; ou le disjoncteur n'est pas déclenché.
  - La prise de courant est correctement alimentée.
  - Voir la section "Dépannage" dans le Guide d'utilisation et d'entretien.
4. Après que le four a fonctionné pendant 5 minutes, vérifier qu'il y a émission de chaleur.  
Si aucune chaleur n'est ressentie ou si "F" suivi d'un nombre apparaît sur l'affichage, éteindre le four et contacter un technicien qualifié.
  5. Appuyer sur CANCEL (annulation).

### Vérification du fonctionnement du four double

1. Mettre l'appareil sous tension. "PF" devrait apparaître dans l'afficheur.
2. Appuyer sur UPPER OVEN (four supérieur) ou LOWER OVEN (four inférieur), pour sélectionner le four que vous mettez à l'essai.
3. Répéter les étapes 2 à 5 dans "Vérification du fonctionnement du four simple".

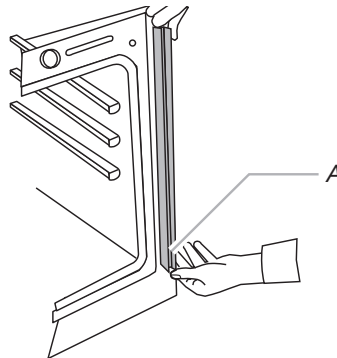
Pour le réglage de l'horloge et d'autres fonctions du four, consulter le Guide d'utilisation et d'entretien.

#### Si vous avez besoin d'assistance ou de service :

Consulter la section "Assistance ou service" du Guide d'utilisation et d'entretien ou contacter le marchand chez qui le four encastré a été acheté.

## Dépose des garnitures du four (au besoin)

1. Ôter la vis inférieure de chaque côté de la garniture du four.
2. Saisir l'extrémité inférieure de la tringle de garniture et tirer pour l'écarter du four.



A. Tirer pour ôter la vis de la garniture.

3. Faire glisser l'extrémité supérieure de la garniture vers le bas pour pouvoir la séparer du four. Conserver la tringle à part.

