

# Café™ Stainless Interior Built-In Dishwasher with Hidden Controls

CDT866P4MW2 / CDT866P3MD1

CAFÉ



CDT866P4MW2  
Matte White with Brushed  
Bronze handles

ALSO  
AVAILABLE IN



CDT866P3MD1  
Matte Black with  
Brushed Stainless  
handles



## FEATURES & BENEFITS

Always have clean dishes ready for surprise guests with **WiFi Connect**, which lets you operate your dishwasher from your smartphone. Track and automatically reorder detergent and rinse aid with just the tap of an app

Set a stunning table with dishes that sparkle thanks to the industry's most **advanced wash system with over 140 cleaning jets** that deliver complete coverage to every inch of the dishwasher.

Spotted silverware has no place at your table, thanks to **Deep Clean silverware jets** that ensure every utensil comes out looking immaculate.

Easily clean an entire dinner-party's worth of flatware at once with a convenient **third rack** across the top of the dishwasher.

Vases, canisters and bottles are always clean and ready for your tablescape thanks to the targeted washing power of **bottle jets**.

Get dishes impressively clean with the revolutionary **reversing quad-blade lower wash arm** and its 25 spray jets to hit items from every angle.

Plates, silverware and glassware are ready to go from dishwasher to table thanks to a 1,000-watt **hidden heater and vent with fan dry**.

Create more room for platters, baking sheets, stemware and more with an **adjustable upper rack** that glides up or down 2-inches with one easy touch

Sleek and easy to operate, the **top control design and LCD display** keeps buttons out of sight while still within reach.

Achieve a complete clean with powerful **side jets** that cascade water to fill the dishwasher and washes soils away.

Run the dishwasher without interrupting the mood with ultra-quiet **40 dBA** operations.

## APPEARANCE

Door Style	Long Door with Top Controls
Installation	Side Installation or Top Installation Included; Built-Up Floor Capable; Flush Cabinet Installation
Door Appearance	Full-length flat door

## FEATURES

Style	Built-In
Tub and Door Liner	Stainless Steel
Tub Type	Tall Tub
Control Type	Top Controls; Electronic Tactile Buttons
Dishwasher Control Features	LCD Display; Cycle Countdown with Bi-Color LED Status Light on door; 1 "Clean" Light, 1 "Sanitized" Light, 1 "Low Rinse Aid" Light; Last Cycle Memory; Audible End-of-Cycle Signal
Wash System	800 Series; 3-Level
Wash System Features	Variable Speed Dual Pumps and Motors; Automatic Temperature Control; Drain Pump; Piranha™ Hard Food Disposer with removable filter; Reversing Quad Blade Lower Wash Arm; Quad Blade Middle Wash Arm; Deep Clean Silverware Jets; Bottle Jets; Side Jets; 140+ Spray Jet Wash System; Hidden Heater; Automatic HotStart
Sensor	Clean Sensor
Wash Arms	3 Wash Levels; Lower- Reversing Quad Blade; Middle - Quad Blade; Bottle Jets; Side Jets; Jets - Variable Pressure
Water Filtration System	100% Filtration with Piranha Hard Food Disposer and Removable Filter
Dispenser	Rinse Aid with Indicator and Adjustment; Electronic Low Rinse Aid Sensor
Number of Cycles	7
Dishwasher Cycles	Auto Sense; Heavy Wash; Normal Wash; Light Wash; Rinse; Express; eWash
Number of Options	10
Dishwasher Options	Delay Start 1-12 Hr.; Pre Soak; Wash TempBoost; Sani (NSF Certified); Heated Dry; Wash Zone Upper Only; Wash Zone Lower Only; Start/Reset; Bottle Wash
Rack Features	2 Utility Shelves with Stem Safe - Upper; Ball-Tipped Tines; Adjustable Upper Rack; 3-Piece Silverware Basket with Cell Covers; Fold-down tines - Upper; Fold-Down Tines - Lower
Racking Material	Nylon
Rack Color	Black Pearl
Number of Place Settings	Up to 16
Upper Rack	Premium Height Adjustable; Ball-Tip Tines; 2 Stem Safe Shelves; 1/2 fixed tines, 1/2 fold down tines; 1 Rack handle
Lower Rack	Ball-Tip Tines; Multi-Position Fold Down Tines; 1 Rack handle
Dishwasher Drying Features	Power Dry - On/Off; Fan Assist Dry
Floor Protection	Floor Protect with Alert
Leveling System	4 Leveling Legs
Latch	Pull with Handle
Exterior Style	Traditional
Racking System	Full 3rd rack
Cutlery Tray	One piece removable 3rd rack
WiFi Connect	Built-In
Connected Capabilities	Amazon Alexa; The Google Assistant; IFTTT; Amazon Dash Replenishment

## ECONOMICAL/QUIET

Quiet Package	40 dBA
Quiet Features	Quiet Water Valve; Sealed Toe Kick; Tub Collar Trim
Motor Type	Variable Speed
Outer Wrap	Full-wrap Blanket; Bitumen
Door Insulation	Insulation; Mastic

## WEIGHTS & DIMENSIONS

Cabinet Width	24 in
Approximate Shipping Weight	137 lb
Net Weight	124 lb
Overall Height	34 in
Height w/ Legs Retracted - Minimum Height	33-3/8 in
Height w/Legs Extended - Maximum Height	34-5/8 in
Overall Depth	24 in
Overall Width	23-3/4 in

# Café™ Stainless Interior Built-In Dishwasher with Hidden Controls



CDT866P4MW2 / CDT866P3MD1

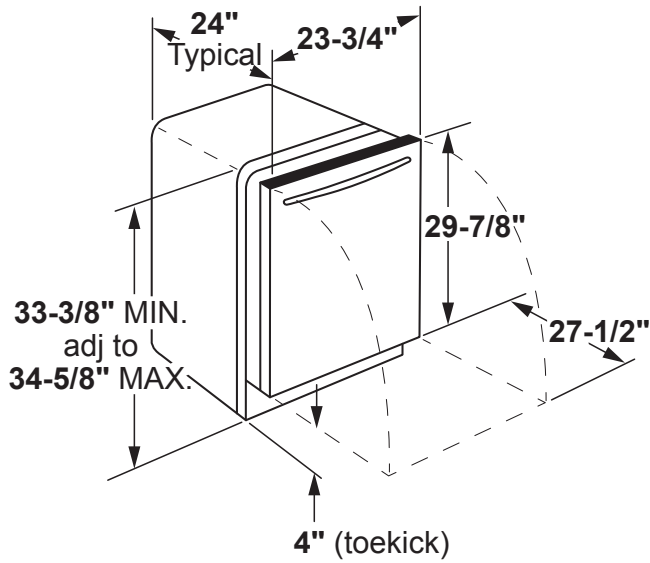
## TECHNICAL DETAILS

Calrod Heater Watts	1060
Power Connection	Power Cord - Not Included
Volts/Hertz/Amps	120 V; 60 Hz; 9.0 A

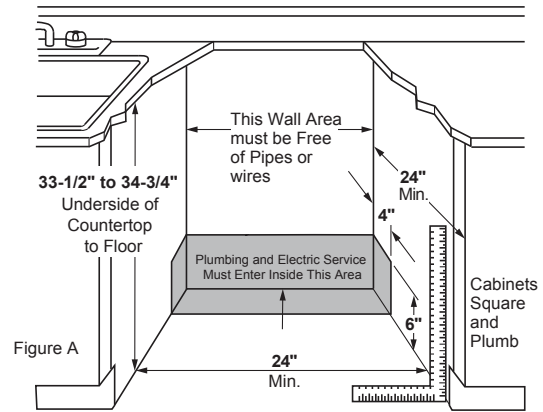
## WARRANTY

Parts warranty	Limited 1-year entire appliance
Labor warranty	Limited 1-year entire appliance
Warranty notes	See written warranty for full details

## DIMENSIONS



## INSTALLATION DIMENSIONS



## ADDITIONAL ACCESSORIES



Brushed Bronze  
CXADTH1PMBZ  
(Standard on Matte White)



Brushed Stainless  
CXADTH1PMSS  
(Standard on Matte Black)



Brushed Black  
CXADTH1PMBT



Brushed Copper  
CXADTH1PMCU