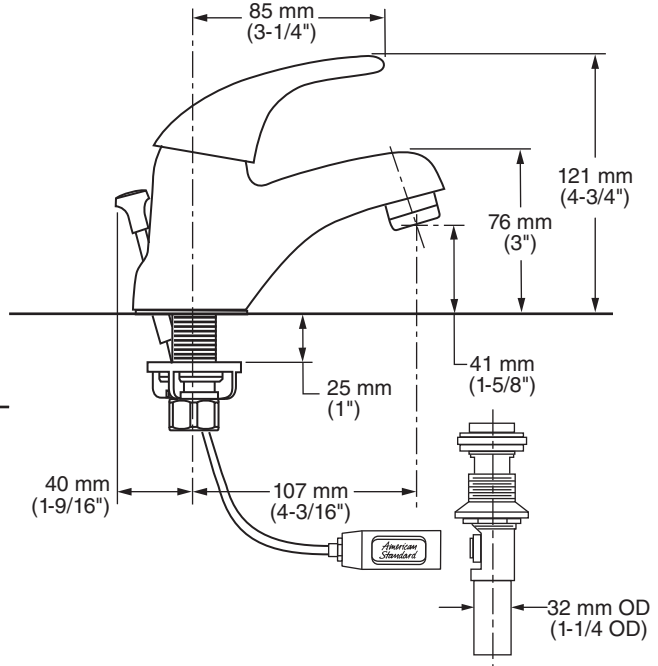
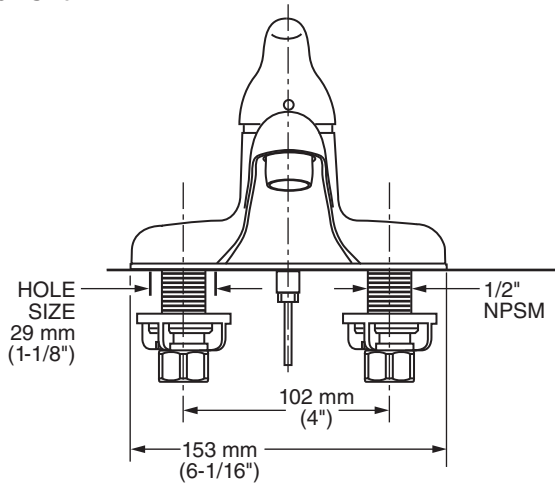


2175.502 Shown



GENERAL DESCRIPTION:

Single control lavatory faucet on 4" centers. Washerless 40 mm ceramic disc valve cartridge with integral hot limit safety stop. Durable cast brass underbody with 1/2" male threaded brass inlet shanks. Metal body with color matched underbody. Metal lever handle. 20" (500 mm) long flexible stainless steel drain cable is pre-assembled to faucet body. Metal Speed Connect® drain body with 1-1/4 inch (32 mm) tail piece, (2175.502). Non-Metallic Speed Connect drain body with 1-1/4 inch (32 mm) tail piece, (2175.503). 1.2 gpm/4.5 L/min. maximum flow rate.

PRODUCT FEATURES:

Cast Brass Underbody with "City Shanks":

Strong and durable. Integral tabs on casting provide a wobble-free installation.

Ceramic Disc Valve Cartridge: Assures a lifetime of drip-free performance.

Adjustable Hot Limit Safety Stop: Limits the amount of hot water allowed to mix with cold. Reduces the risk of accidental scalding.

Exclusive Speed Connect Metal Drain:

- Fewer parts. Installs in less time.
- No adjustments required - seals the first time, every time.
- Flexible stainless steel cable - installs effortlessly in tight spaces.

Lead Free: Faucet contains ≤ 0.25% total lead content by weighted average.

Simple Installation: Fast and easy one person installation. Faucet drops in from top. Quick spin nuts secure faucet in place.

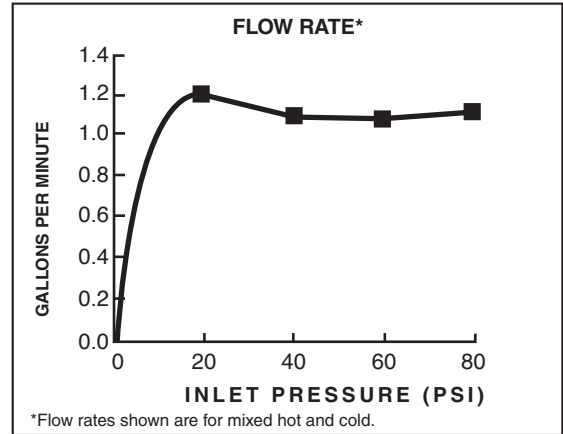
SUGGESTED SPECIFICATION

Single control lavatory fitting shall feature cast brass underbody with 1/2" male inlet shanks. Shall also feature washerless 40mm ceramic disc valve cartridge with integral hot limit safety stop. Shall also feature a drain body with stainless steel cable actuation. Fitting shall be American Standard Model # 2175._____._____.

CODES AND STANDARDS

These products meet or exceed the following codes and standards:

- ANSI A117.1**
- ASME A112.18.1**
- NSF 61/Section 9 and Annex G**
- CSA B125.1**



Product Number	Description		Finish Options	
			Polished Chrome	PVD Brushed Nickel
			002	295
2175.502	Colony Single Control Centerset. Metal Speed Connect® pop-up drain.			
2175.503	Colony Soft Single Control Centerset. Non-Metallic Speed Connect pop-up drain.			N/A

N/A = Not Available

Meets the American Disabilities Act Guidelines and **ANSI A117.1** Requirements for the physically challenged.

AERATOR MODIFICATIONS***	Parts Suffix**
0.5 gpm (1.9 Lpm) Non-Aerated PCA* Spray	___F05
0.5 gpm (1.9 Lpm) Non-Aerated Vandal Resistant PCA Spray	___V05
1.0 gpm (3.8 Lpm) PCA Aerator	___F10
1.0 gpm (3.8 Lpm) Vandal Resistant PCA Aerator	___V10
1.2 gpm (4.5 Lpm) Vandal Resistant PCA Aerator	___V12
1.5 gpm (5.7 Lpm) Vandal Resistant PCA Aerator	___V15
1.5 gpm (5.7 Lpm) Non-Aerated Laminar PCA Flow Outlet	___L15

*PCA — Pressure Compensating

To modify a product, add suffix after the 4th digit (ex. 2064F05**101.002)

***Modified product models are **NOT** WaterSense certified.