

KitchenAid®

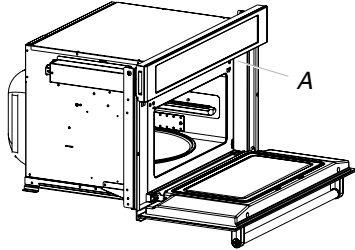
27" (68.6 cm) and 30" (76.2 cm) Electric Built-In Convection Microwave Oven

PRODUCT MODEL NUMBERS

KMBP100E KMBP107E

ELECTRICAL CONNECTION

- Microwave oven must be connected to the proper electrical voltage and frequency as specified on the model/serial number rating plate. The model/serial/rating plate is located underneath the control panel, along the oven vent.

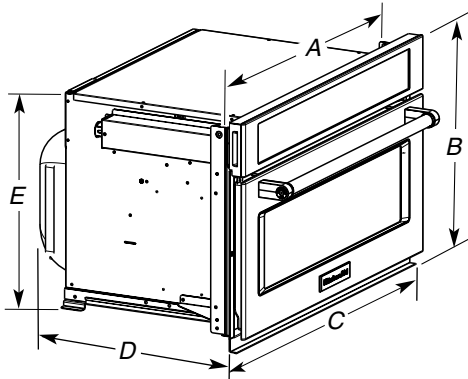


A. Model/serial/rating plate

- The microwave oven rated 120/240 volt, 20-amp, has 4 wires (L1, L2, N and G) in the flex conduit and should be connected to a 20-amp maximum rated circuit, overcurrent protected on both the L1 and L2 circuits.
- A time-delay fuse or circuit breaker is recommended.

PRODUCT DIMENSIONS

27" (68.6 cm) and 30" (76.2 cm) Microwave Ovens



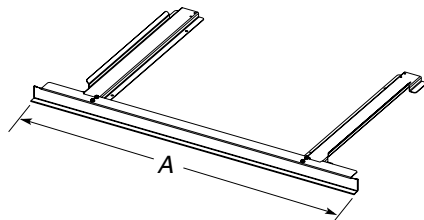
27" (68.6 cm) models

- A. 25⁵/₈" (64.5 cm)
- B. 18⁵/₈" (47.3 cm) overall height
- C. 26³/₄" (67.9 cm) overall width
- D. 21¹/₂" (54.6 cm)
- E. 17⁵/₈" (44.1 cm)

30" (76.2 cm) models

- A. 28³/₈" (72.1 cm)
- B. 18⁵/₈" (47.3 cm) overall height
- C. 29³/₄" (75.6 cm) overall width
- D. 21¹/₂" (54.6 cm)
- E. 17⁵/₈" (44.1 cm)

27" (68.6 cm) and 30" (76.2 cm) Microwave Oven Spacer Kit



27" (68.6 cm) models

- A. 26³/₄" (67.9 cm) overall width

30" (76.2 cm) models

- A. 29³/₄" (75.6 cm) overall width

NOTE: The microwave oven spacer kit will allow the microwave oven to be installed in a 17³/₈"-17¹/₄" (44.1-45.1 cm) maximum cutout height.

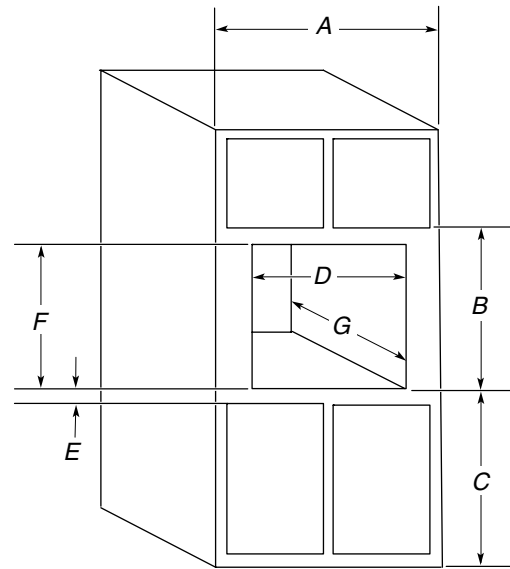
A microwave oven spacer kit is available from your dealer that will allow the microwave oven to be installed in a 19"-19¹³/₁₆" (48.3-50.2 cm) maximum cutout height. Match the oven size to the following kits:

- 27" (68.6 cm) Stainless Steel - Model W10469901
- 30" (76.2 cm) Stainless Steel - Model W10469903

To order, see the "Assistance or Service" section of the Use and Care Guide.

CABINET DIMENSIONS

27" (68.6 cm) and 30" (76.2 cm) Microwave Ovens



27" (68.6 cm) models

- A. 27" (68.6 cm) min. cabinet width
- B. 18⁵/₈" (47.3 cm) from bottom of cutout to bottom of upper cabinet door
- C. 40" (101.6 cm) bottom of cutout to floor (recommended)
- D. 25¹/₂" (64.8 cm) cutout width
- E. 1¹/₂" (3.8 cm) min. bottom of cutout to top of cabinet door
- F. 17⁵/₈" (44.7 cm) recommended cutout height (will fit cutout height from 17³/₈" [44.1 cm] to 17¹/₄" [45.1 cm])
- G. 21¹/₈" (55.5 cm) min. cutout depth

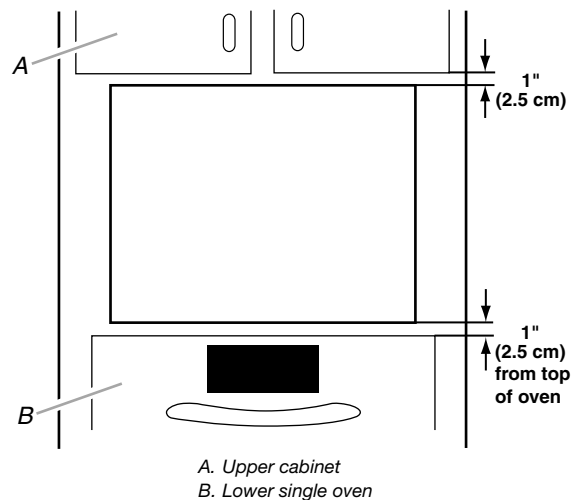
30" (76.2 cm) models

- A. 30" (76.2 cm) min. cabinet width
- B. 18⁵/₈" (47.3 cm) from bottom of cutout to bottom of upper cabinet door
- C. 40" (101.6 cm) bottom of cutout to floor (recommended)
- D. 28¹/₂" (72.4 cm) cutout width
- E. 1¹/₂" (3.8 cm) min. bottom of cutout to top of cabinet door
- F. 17⁵/₈" (44.7 cm) recommended cutout height (will fit cutout height from 17³/₈" [44.1 cm] to 17¹/₄" [45.1 cm])
- G. 21¹/₈" (55.5 cm) min. cutout depth

MINIMUM INSTALLATION CLEARANCES

For proper installation, the following minimum clearances must exist above and below the cabinet opening.

Installation Above Single Built-In Oven



A. Upper cabinet
B. Lower single oven

Approved models: KMBP100E and KMBP107E.