

ASPIRE  
BY HESTAN

## STORAGE and CLEANUP

### SINGLE AND DOUBLE ACCESS DOORS



- Available in 18", 24", 30", 36" and 42" widths
- Recessed Marquise accented™ panel with commercial grade handle(s)\*
- Heavy gauge welded body construction
- Door alignment adjustability

### DRAWER AND DOOR DRAWER COMBOS



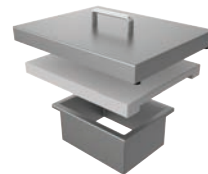
- Available in 16" (double drawer), 30", 36" and 42" (door drawer combo) widths
- Recessed Marquise accented™ panel with commercial grade handle\*
- Door alignment adjustability
- Heavy gauge welded body construction

### CLEAN UP



#### PAPER TOWEL DISPENSER

- Can be mounted horizontally or vertically (left or right opening)
- Heavy gauge welded body construction
- Recessed Marquise accented™ panel with commercial grade handle\*



#### COUNTERTOP TRASH CHUTE

- Heavy gauge welded body construction
- Complimentary to Trash Storage
- Stainless steel top cover with handle
- Commercial grade cutting board that slides for easy access to chute



#### TRASH STORAGE DRAWER

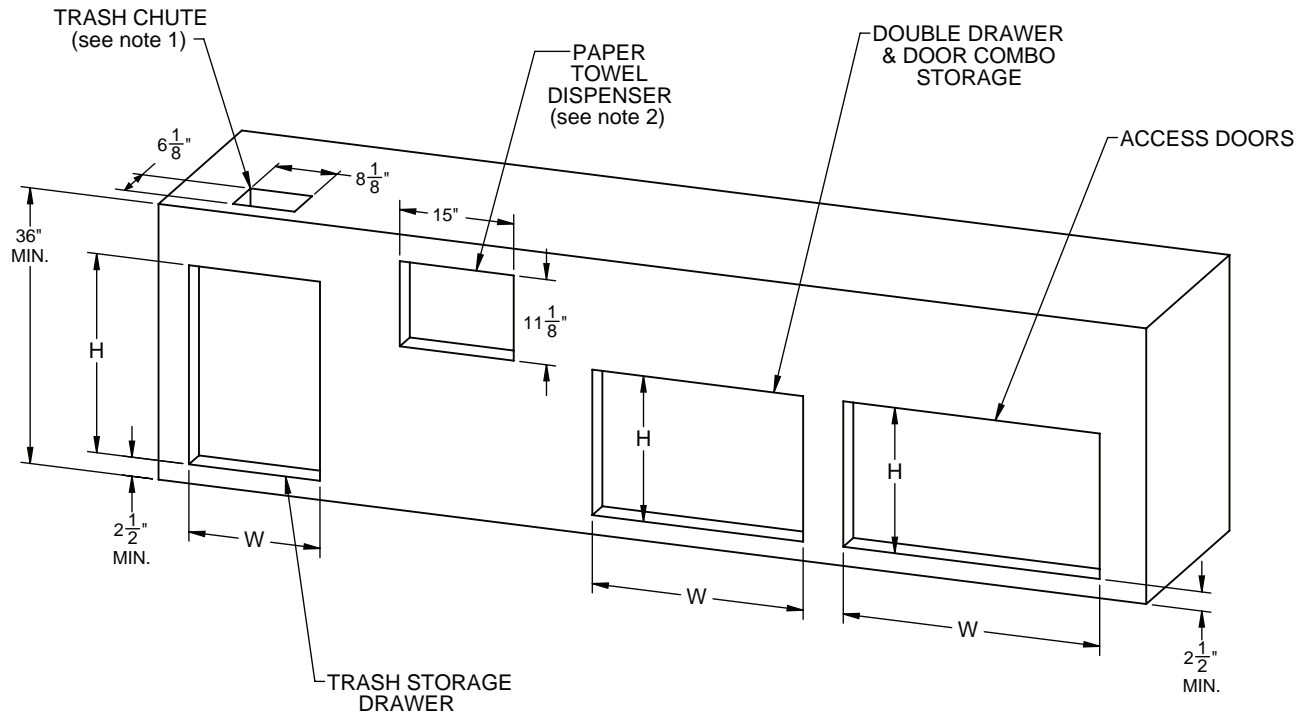
- Available in 20" width
- Heavy gauge welded body construction
- Slide out trash bin that is easily removable for emptying and cleaning
- Full extension slides
- Recessed Marquise accented™ panel with commercial grade handle\*

\* Panels available in Hestan signature color finishes

### NOTES:

1) Trash Chute AETC cutout depends on type of countertop used. Please refer to installation instructions for details.

2) Paper Towel Dispenser AEPTD16 can be installed in 3 different orientations using these cutout dimensions. Please refer to installation instructions for details.



\_\_ = specify (L) or (R) for Left or Right Hinge model

XX = width needed

Models	Description	Product Width Options		Cutout Dimensions		
		W (in.)	W (in.)	D (in.)	H (in.)	
AEAD__xx	Single Access Door	18" or 24"	15 <sup>-7/8"</sup> , 21 <sup>-7/8"</sup>	n/a	19	
AEADxx	Double Access Doors	30", 36", 42"	27 <sup>-7/8"</sup> , 33 <sup>-7/8"</sup> , 39 <sup>-7/8"</sup>	n/a	19	
AEDR16	Double Drawers	16"	13 <sup>-7/8"</sup>	23 <sup>-3/8"</sup>	19	
AESDRxx	Double Drawer and Storage Door Combination	30", 36", 42"	27 <sup>-7/8"</sup> , 33 <sup>-7/8"</sup> , 39 <sup>-7/8"</sup>	23 <sup>-3/8"</sup>	19	
AETRC20	Trash Storage Drawer	20"	17 <sup>-1/4"</sup>	18	26	
AETC	Countertop Trash Chute	-	6 <sup>-1/8"</sup>	8 <sup>-1/8"</sup>	n/a	
AEPTD16	Paper Towel Dispenser	16"	11 <sup>-1/8"</sup>	10 <sup>-1/8"</sup>	15	

Aspire by Hestan products are approved for outdoor use only. Hestan Commercial Corporation reserves the right to change materials and specifications without notice.