

ELECTRIC BUILT-IN COOKTOPS 30" (76.2 CM) AND 36" (91.4 CM) INSTALLATION INSTRUCTIONS

INSTRUCTIONS D'INSTALLATION DE LA TABLE DE CUISSON ÉLECTRIQUE ENCASTRÉE DE 30" (76,2 CM) ET 36" (91,4 CM)

Table of Contents/Table des Matières

BUILT-IN COOKTOP SAFETY	2	SÉCURITÉ DE LA TABLE DE CUISSON ENCASTRÉE	7
INSTALLATION REQUIREMENTS	2	EXIGENCES D'INSTALLATION	7
Tools and Parts.....	2	Outils et pièces	7
Location Requirements	2	Exigences d'emplacement	7
Electrical Requirements.....	3	Spécifications électriques.....	9
INSTALLATION INSTRUCTIONS	4	INSTRUCTIONS D'INSTALLATION	10
Install Cooktop.....	4	Installation de la table de cuisson	10
Make Electrical Connection.....	5	Raccordement électrique	11
Complete Installation.....	6	Achever l'installation	12

IMPORTANT:

Save for local electrical inspector's use.

Installer: Leave installation instructions with the homeowner.

Homeowner: Keep installation instructions for future reference.

IMPORTANT :

À conserver pour consultation par l'inspecteur local des installations électriques.

Installateur : Remettre les instructions d'installation au propriétaire.

Propriétaire : Conserver les instructions d'installation pour référence ultérieure.

BUILT-IN COOKTOP SAFETY

Your safety and the safety of others are very important.

We have provided many important safety messages in this manual and on your appliance. Always read and obey all safety messages.



This is the safety alert symbol.

This symbol alerts you to potential hazards that can kill or hurt you and others.

All safety messages will follow the safety alert symbol and either the word "DANGER" or "WARNING." These words mean:

 **DANGER**

You can be killed or seriously injured if you don't immediately follow instructions.

 **WARNING**

You can be killed or seriously injured if you don't follow instructions.

All safety messages will tell you what the potential hazard is, tell you how to reduce the chance of injury, and tell you what can happen if the instructions are not followed.

INSTALLATION REQUIREMENTS

Tools and Parts

Gather the required tools and parts before starting installation. Read and follow the instructions provided with any tools listed here.

Tools needed

- Tape measure
- Marker or pencil
- Phillips head screwdriver
- Pliers

Parts supplied

- 1" (2.5 cm) mounting screws (4)

Parts needed

- A UL listed or CSA approved conduit connector
- UL listed wire connectors

Check local codes. Check existing electrical supply. See "Electrical Requirements."

It is recommended that all electrical connections be made by a licensed, qualified electrical installer.

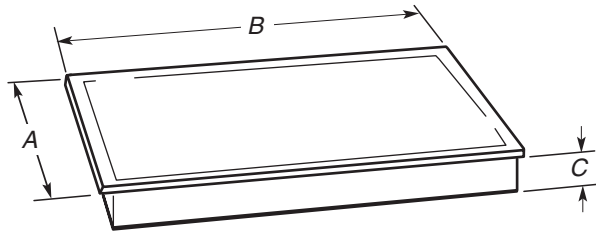
Location Requirements

IMPORTANT: Observe all governing codes and ordinances. When installing cooktop, use minimum dimensions given.

- To eliminate the risk of burns or fire by reaching over the heated surface units, cabinet storage space located above the surface units should be avoided. If cabinet storage is to be provided, the risk can be reduced by installing a range hood that projects horizontally a minimum of 5" (12.7 cm) beyond the bottom of the cabinets.
- The cooktop must be a specified cooktop that is approved to be installed either alone or over an undercounter built-in oven. Check the cooktop base approved installation label for your cooktop model number and approved combinations of cooktops and ovens that can be installed. If you do not find this label, your cooktop may not be approved for use over an undercounter built-in oven. Contact your dealer to confirm that your cooktop is approved.
- Ovens approved for this type of installation will have an approval label located on the top of the oven. If you do not find this label, contact your dealer to confirm that your oven is approved. Refer to oven manufacturer's Installation Instructions for approval for built-in undercounter use and proper cutout dimensions.
- When installing cooktop over an undercounter built-in oven, do not fasten cooktop to countertop with screws. This will make the cooktop easier to remove if future servicing becomes necessary.
- Use the countertop opening dimensions that are given with these Installation Instructions. Given dimensions are minimum clearances and provide 0" (0 cm) clearance.
- Grounded electrical supply is required. See "Electrical Requirements" section.

IMPORTANT: To avoid damage to your cabinets, check with your builder or cabinet supplier to make sure that the materials used will not discolor, delaminate or sustain other damage.

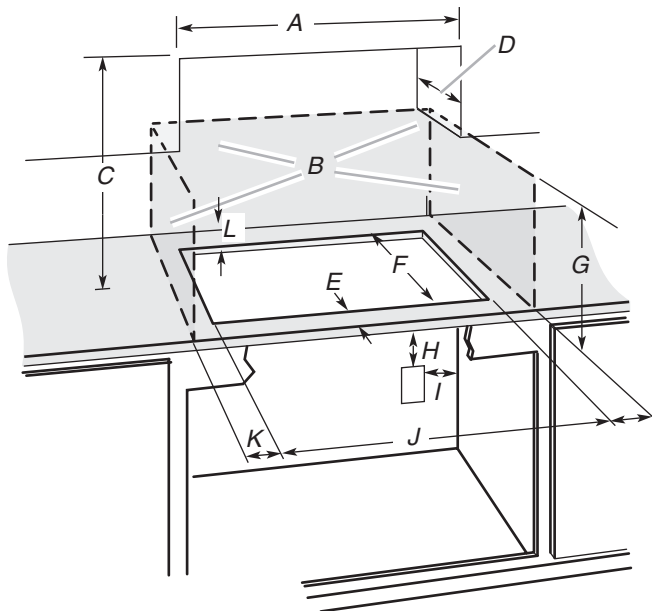
Product Dimensions



- A. 21" (53.3 cm)
- B. 30" (76.2 cm)
- 36" (91.4 cm)
- C. 3¼" (8.3 cm)

Installation Clearances

IMPORTANT: If installing a range hood or microwave hood combination above the range, follow the range hood or microwave hood combination installation instructions for dimensional clearances above the cooktop surface.



- A. 30" (76.2 cm)
- B. Combustible area above countertop (shown by dashed box above)
- C. 30" (76.2 cm) minimum clearance between top of cooktop platform and bottom of uncovered wood or metal cabinet.
24" (61 cm) minimum clearance if bottom of wood or metal cabinet is covered by not less than ¼" [0.6 cm] flame retardant millboard covered with not less than No. 28 MSG sheet steel, 0.015" [0.04 cm] stainless steel or 0.024" [0.06 cm] aluminum or 0.020" [0.05 cm] copper
- D. 13" (33 cm) recommended upper cabinet depth
- E. 3" (7.6 cm)
- F. 19³/₁₆" (50.3 cm) recommended cutout on all models
- G. 18" (45.7 cm) minimum clearance from upper cabinet to countertop within minimum horizontal clearances to cooktop
- H. Junction box or outlet; 12" (30.5 cm) minimum from bottom of countertop
- I. Junction box or outlet; 10" (25.4 cm) from right side of cabinet
- J. 28³/₁₆" (71.9 cm) recommended cut-out on 30" (76.2 cm) Maytag and Whirlpool models
Will fit cutouts 28³/₁₆" (71.9 cm) - 28⁷/₈" (73.3cm)
34⁷/₈" (88.6cm) on 36" (91.4 cm) Maytag models only
- K. 1" (2.5 cm) minimum distance to nearest left and right side combustible surface above cooktop
- L. 1" (2.5 cm) minimum clearance between back wall and countertop

NOTES: After making the countertop cutout, some installations may require notching down the base cabinet side walls to clear the burner box. To avoid this modification, use a base cabinet with sidewalls wider than the cutout.

If cabinet has a drawer, a 3¼" (9.6 cm) depth clearance from the countertop to the top of the drawer (or other obstruction) in base cabinet is required.

Electrical Requirements

⚠ WARNING



Electrical Shock Hazard

Disconnect power before servicing.

Use 8 gauge copper wire.

Electrically ground cooktop.

Failure to follow these instructions can result in death, fire, or electrical shock.

If codes permit and a separate ground wire is used, it is recommended that a qualified electrical installer determine that the ground path and wire gauge are in accordance with local codes.

Check with a qualified electrical installer if you are not sure the cooktop is properly grounded.

Make sure that the electrical connection and wire size are adequate and in conformance with the National Electrical Code, ANSI/NFPA 70-latest edition or CSA Standards C22.1-94, Canadian Electrical Code, Part 1 and C22.2 No. O-M91-latest edition, and all local codes and ordinances.

A copy of the above code standards can be obtained from:

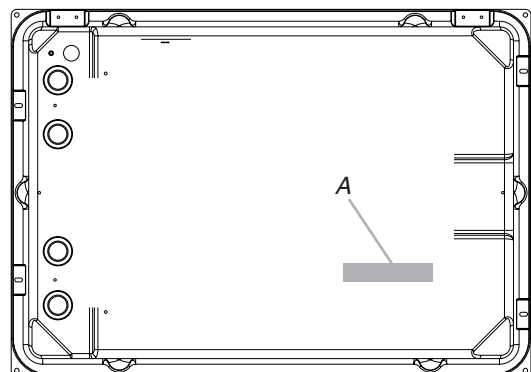
National Fire Protection Association
One Batterymarch Park
Quincy, MA 02269

CSA International
8501 East Pleasant Valley Road
Cleveland, OH 44131-5575

Before You Make the Electrical Connection:

To properly install your cooktop, you must determine the type of electrical connection you will be using and follow the instructions provided for it here.

- A 4-wire or 3-wire, single phase, 240 volt, 60 Hz., AC only electrical supply is required on a separate, 40-amp circuit, fused on both sides of the line. The model/serial number rating plate is located on the metal cabinet underneath the cooktop. See the following illustration.



A. Model/serial number plate

- Cooktops with 3-wire cable coming from the cooktop are rated 240 volt and do not have a neutral (white) wire.
- The cooktop should be connected directly to the junction box through flexible, armored or nonmetallic sheathed, copper cable. The flexible, armored cable extending from the fuse box or circuit breaker box should be connected directly to the junction box.
- Locate the junction box to allow as much slack as possible between the junction box and the cooktop so that the cooktop can be moved if servicing becomes necessary in the future.
- Do not cut the conduit. The length of conduit provided is for serviceability of the cooktop.

- A UL listed or CSA approved conduit connector must be provided at each end of the power supply cable (at the cooktop and at the junction box). A listed conduit connector is already provided at the cooktop.
- If the house has aluminum wiring follow the procedure below:
 1. Connect a section of solid copper wire to the pigtail leads.
 2. Connect the aluminum wiring to the added section of copper wire using special connectors and/or tools designed and UL listed for joining copper to aluminum.
 Follow the electrical connector manufacturer's recommended procedure. Aluminum/copper connection must conform with local codes and industry accepted wiring practices.

INSTALLATION INSTRUCTIONS

Install Cooktop

! WARNING

Excessive Weight Hazard

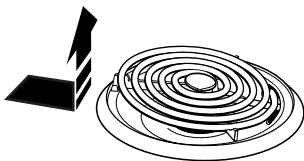
**Use two or more people to move and install cooktop.
Failure to do so can result in back or other injury.**

1. Remove the shipping materials and tape from the cooktop. Remove the hardware package from inside the bag containing literature.
2. Using 2 or more people, gently place the cooktop into the cutout.

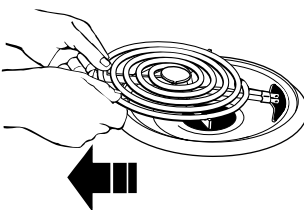
IMPORTANT: Check that the front edge of the cooktop is parallel to the front edge of the countertop. If repositioning is needed, lift entire cooktop up from cutout to avoid scratching the countertop.

If cooktop is to be secured to countertop (optional):

1. Remove the coil elements and burner bowls.
 - Push in the edge of coil element toward the receptacle. Then lift it enough to clear the burner bowl.



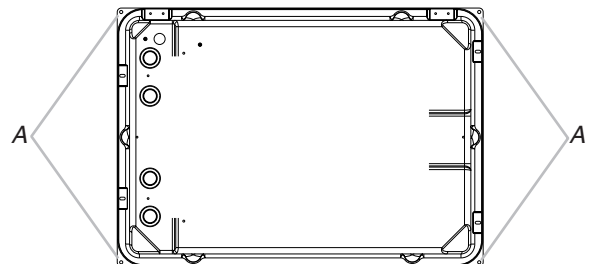
- Pull the coil element straight away from the receptacle.



- Lift out the burner bowl.
2. Remove the 4 screws from inside each element opening and lift cooktop from cooktop base.

3. Using 2 or more people, gently place the cooktop in cutout and determine final location.

NOTE: Make sure that the front edge of the cooktop is parallel to the front edge of the countertop. If repositioning is needed, lift entire cooktop up from cutout to avoid scratching the countertop.
4. Mark on the countertop the location of the 4 mounting holes at the corners of the cooktop. Set cooktop aside on a covered surface.



A. Mounting holes

5. Use 1/8" (3 mm) drill bit and drill 4 pilot holes.
6. Using 2 or more people, gently place the cooktop in cutout so that the cooktop mounting holes align with the 4 pilot holes.
7. Attach the cooktop base to countertop with the 4 mounting screws.
8. Reattach the cooktop to the cooktop base using the 4 screws.
9. Replace the coil elements and burner bowls.
 - Line up openings in the burner bowl with the coil element receptacle.



- Holding the coil element as level as possible, slowly push the coil element terminal into the receptacle.
- When the terminal is pushed into the receptacle as far as it will go, push down the edge of the coil element opposite the receptacle.

Make Electrical Connection

⚠ WARNING



Electrical Shock Hazard

Disconnect power before servicing.

Use 8 gauge copper wire.

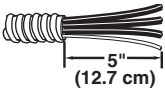
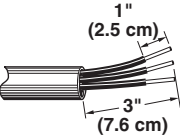
Electrically ground cooktop.

Failure to follow these instructions can result in death, fire, or electrical shock.

This cooktop is manufactured with the frame connected to the bare ground wire. Connect the cooktop cable to the junction box through the UL listed or CSA approved conduit connector.

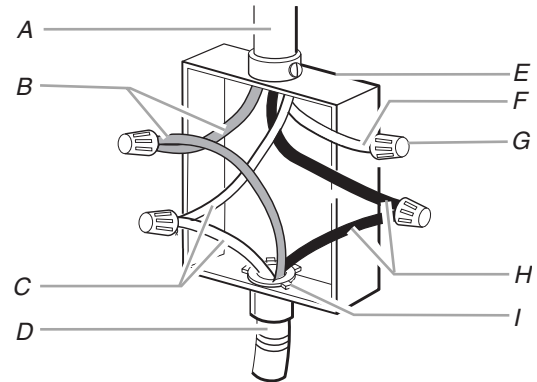
1. Disconnect power.
2. Remove junction box cover, if present.
3. Connect the flexible cable conduit from the cooktop to the junction box using a UL listed or CSA approved conduit connector.
4. Tighten screws on conduit connector if present.
5. See "Electrical Connection Options" chart to complete installation for your type of electrical connection.

Electrical Connection Options

If your home has:	And you will be connecting to:	Go to Section:
4-wire 	A fused disconnect or circuit breaker box	4-Wire Cable from Home Power Supply
3-wire 	A fused disconnect or circuit breaker box	3-Wire Cable from Home Power Supply

4-Wire Cable from Home Power Supply

IMPORTANT: Use the 4-wire cable from home power supply where local codes do not permit connecting the frame-ground conductor to the neutral (white) junction box wire:



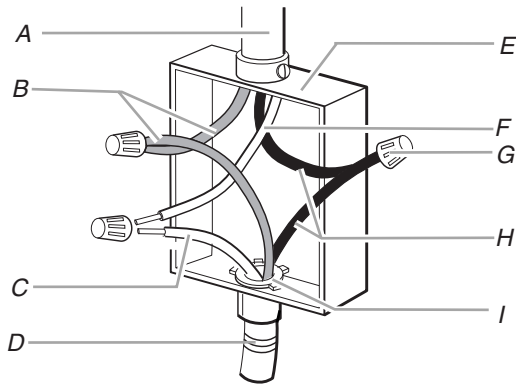
- A. Cable from home power supply
- B. Red wires
- C. Green or bare ground wires
- D. 3-wire cable from cooktop
- E. Junction box
- F. White wire (from home power supply)
- G. UL listed wire connector
- H. Black wires
- I. UL listed or CSA approved conduit connector

1. Connect the 2 black wires together using the UL listed wire connectors.
2. Connect the 2 red wires together using the UL listed wire connectors.
3. Connect the green (or bare) ground wire from the cooktop cable to the green (or bare) ground wire (in the junction box) using the UL listed wire connectors.
4. Put a UL listed wire connector on the end of the white wire.

NOTE: Do not connect the bare ground wire to the neutral (white) wire in the junction box.
5. Install junction box cover.

3-Wire Cable from Home Power Supply

IMPORTANT: Use the 3-wire cable from power supply where local codes permit connecting the frame-ground conductor to the neutral (white) junction box wire.



- | | |
|---|--|
| A. Cable from home power supply | F. White wire (from home power supply) |
| B. Red wires | G. UL listed wire connector |
| C. Green (or bare) ground wire from cooktop | H. Black wires |
| D. 3-wire cable from cooktop | I. UL listed or CSA approved conduit connector |
| E. Junction box | |

1. Connect the 2 black wires together using the UL listed wire connectors.
2. Connect the 2 red wires together using the UL listed wire connectors.
3. Connect the green or bare cooktop cable wires to the white (neutral) wire in the junction box using the UL listed wire connectors.
4. Install junction box cover.

Complete Installation

1. Check that all parts are now installed. If there is an extra part, go back through the steps to see which step was skipped.
2. Check that you have all your tools.
3. Dispose of/recycle all packaging materials.
4. Use a mild solution of liquid household cleaner and warm water to clean cooktop before use. Dry thoroughly with a soft cloth. For more information, see the "Cooktop Care" section of the Use and Care Guide.
5. Read the "Cooktop Use" section in the cooktop Use and Care Guide.
6. Reconnect power.

NOTE: If the cooktop does not work after turning on the power, check that a circuit breaker has not tripped or a household fuse has not blown. See "Troubleshooting" section in the Use and Care Guide for further information.

If you need Assistance or Service:

Please reference the "Assistance or Service" section of the Use and Care Guide or contact the dealer from whom you purchased your cooktop.

SÉCURITÉ DE LA TABLE DE CUISSON ENCASTRÉE

Votre sécurité et celle des autres est très importante.

Nous donnons de nombreux messages de sécurité importants dans ce manuel et sur votre appareil ménager. Assurez-vous de toujours lire tous les messages de sécurité et de vous y conformer.



Voici le symbole d'alerte de sécurité.

Ce symbole d'alerte de sécurité vous signale les dangers potentiels de décès et de blessures graves à vous et à d'autres.

Tous les messages de sécurité suivront le symbole d'alerte de sécurité et le mot "DANGER" ou "AVERTISSEMENT". Ces mots signifient :

⚠ DANGER

Risque possible de décès ou de blessure grave si vous ne suivez pas immédiatement les instructions.

⚠ AVERTISSEMENT

Risque possible de décès ou de blessure grave si vous ne suivez pas les instructions.

Tous les messages de sécurité vous diront quel est le danger potentiel et vous disent comment réduire le risque de blessure et ce qui peut se produire en cas de non-respect des instructions.

EXIGENCES D'INSTALLATION

Outils et pièces

Rassembler les outils et pièces nécessaires avant d'entreprendre l'installation. Lire et observer les instructions fournies avec chacun des outils de la liste ci-dessous.

Outils nécessaires

- Mètre-ruban
- Marqueur ou crayon
- Tournevis cruciforme
- Pince

Pièces fournies

- (4) vis de montage de 1" (2,5 cm)

Pièces nécessaires

- Un connecteur de conduit (homologation UL ou CSA)
- Connecteurs de fils (homologation UL)

Consulter les codes locaux. Vérifier l'alimentation électrique existante. Voir "Spécifications électriques".

Il est recommandé de faire réaliser tous les raccordements électriques par un électricien qualifié agréé.

Exigences d'emplacement

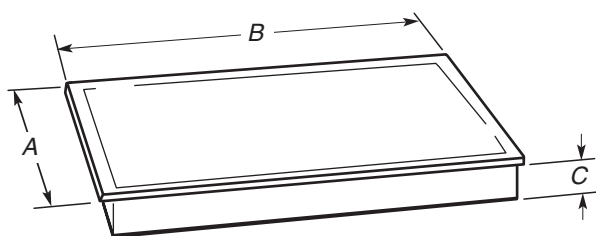
IMPORTANT : Observer les dispositions de tous les codes et règlements en vigueur. Lors de l'installation de la table de cuisson, utiliser les dimensions minimums indiquées.

- Afin de supprimer le risque de brûlures ou d'incendie en se penchant au-dessus des unités de surface chauffées, le rangement en armoire au-dessus des unités de surface doit être évité. Si des placards de rangement sont envisagés, le risque peut être réduit par l'installation d'une hotte de cuisine dépassant le bas des placards d'au moins 5" (12,7 cm) horizontalement.
- La table de cuisson doit être spécifique, et son installation approuvée seule ou sur un four encastré sous comptoir. Vérifier que la base de la table de cuisson comporte une étiquette d'installation approuvée pour le numéro de modèle de votre table de cuisson et les combinaisons approuvées de tables de cuisson et de fours qui peuvent être installés. Si vous ne trouvez pas cette étiquette, il se peut que votre table de cuisson ne soit pas approuvée pour une utilisation au-dessus d'un four encastré sous comptoir. Contacter le marchand pour confirmer que votre table de cuisson est bien approuvée.

- Les fours approuvés pour ce type d'installation comportent une étiquette d'approbation située sur le dessus du four. Si vous ne trouvez pas cette étiquette, contactez votre marchand pour confirmer que le four est bien approuvé. Consulter les Instructions d'installation du fabricant du four pour déterminer si l'utilisation en encastrément est approuvée et pour obtenir les dimensions correctes de l'ouverture.
- Lors de l'installation de la table de cuisson sur un four encastré sous comptoir, ne pas fixer la table de cuisson au comptoir avec des vis. Ceci facilitera la dépose de la table de cuisson plus tard en cas de nécessité de réparation.
- Utiliser les dimensions d'ouverture du plan de travail qui sont indiquées dans ces Instructions d'installation. Les dimensions données sont les espacements minimums et fournissent un dégagement de 0" (0 cm).
- Une source d'électricité avec liaison à la terre est nécessaire. Voir la section "Spécifications électriques".

IMPORTANT : Afin d'éviter d'endommager les placards, consulter le constructeur de la maison ou le fabricant des placards pour déterminer si les matériaux utilisés peuvent subir un changement de couleur, une déstratification ou d'autres dommages.

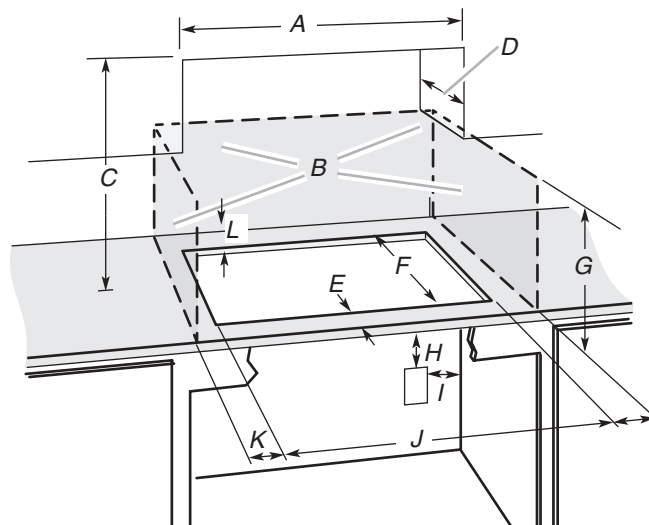
Dimensions du produit



- A. 21" (53,3 cm)
- B. 30" (76,2 cm)
36" (91,4 cm)
- C. 3¼" (8,3 cm)

Distances de dégagement à respecter

IMPORTANT : En cas d'installation d'une hotte ou d'un ensemble hotte/micro-ondes au-dessus de la cuisinière, suivre les instructions fournies avec l'ensemble concernant les dimensions de dégagement à respecter au-dessus de la surface de la table de cuisson.



- A. 30" (76,2 cm)
- B. Zone de matière combustible au-dessus du plan de travail (espace délimité par des lignes pointillées ci-dessus)
- C. Distance minimale de séparation de 30" (76,2 cm) entre le dessus de la table de cuisson et le fond d'un placard métallique ou de bois non couvert (distance de séparation de 24" [61 cm] ou plus si le fond du placard de métal ou de bois est recouvert d'une plaque ignifugée d'au moins ¼" (0,6 cm), elle-même recouverte d'une feuille métallique d'une épaisseur correspondant à un calibre d'au moins 28 pour l'acier, 0,015" [0,04 cm] pour l'acier inoxydable, 0,024" [0,06 cm] pour l'aluminium ou 0,020" [0,05 cm] pour le cuivre)
- D. Profondeur recommandée pour les placards supérieurs : 13" (33 cm)
- E. 3" (7,6 cm)
- F. Ouverture d'encastrément de 19 7/16" (50,3 cm) - recommandé pour tous les modèles
- G. Distance de séparation minimale de 18" (45,7 cm) entre le placard supérieur et le plan de travail avec distance minimale de séparation horizontale pour la table de cuisson
- H. Boîtier de connexion ou prise électrique; 12" (30,5 cm) ou plus depuis le bas du plan de travail
- I. Boîtier de connexion ou prise électrique; 10" (25,4 cm) depuis le côté droit du placard
- J. Ouverture d'encastrément de 28 5/16" (71,9 cm) - recommandé pour les modèles Maytag et Whirlpool de 30" (76,2 cm)
Convient à des ouvertures d'encastrément de 28 5/16" (71,9 cm) à 28 7/8" (73,3 cm)
34 7/8" (8,6 cm) uniquement sur les modèles Maytag de 36" (91,4 cm)
- K. Distance de séparation minimale de 1" (2,5 cm) par rapport à la surface de matériau combustible la plus proche, à gauche ou à droite au-dessus de la table de cuisson
- L. Distance de séparation minimale de 1" (2,5 cm) ou plus entre la paroi arrière et le plan de travail

REMARQUES : Dans certaines configurations d'installation, il peut s'avérer nécessaire, après le découpage de l'ouverture dans le plan de travail, d'entailler les parois latérales du placard inférieur pour le passage de la boîte des brûleurs. Pour éviter cette modification, utiliser un placard inférieur dont la largeur des parois latérales est supérieure à celle de l'ouverture découpée. Si le placard comporte un tiroir, on devra ménager une distance de séparation de 3¼" (9,6 cm) dans le sens de la profondeur entre le plan de travail et le sommet du tiroir (ou autre obstruction) à l'intérieur du placard inférieur.

Spécifications électriques

⚠ AVERTISSEMENT



Risque de choc électrique

Déconnecter la source de courant électrique avant l'entretien.

Utiliser du fil en cuivre de calibre 8.

Relier la table de cuisson à la terre.

Le non-respect de ces instructions peut causer un décès, un incendie ou un choc électrique.

Si l'on utilise un conducteur distinct de liaison à la terre lorsque les codes le permettent, il est recommandé qu'un électricien qualifié vérifie que la liaison à la terre et la section des fils sont conformes aux codes locaux.

Vérifier avec un électricien qualifié si vous avez des doutes quant à la qualité de la liaison à la terre de la table de cuisson.

S'assurer que la connexion électrique et le calibre des fils sont appropriés et conformes au National Electrical Code, à la norme ANSI/NFPA 70 – dernière édition, ou à la norme CSA C22.1-94, au Code canadien de l'électricité, Partie 1 et C22.2 N° O-M91 – dernière édition, et à tous les codes et règlements locaux.

Pour obtenir un exemplaire des normes des codes ci-dessus, contacter :

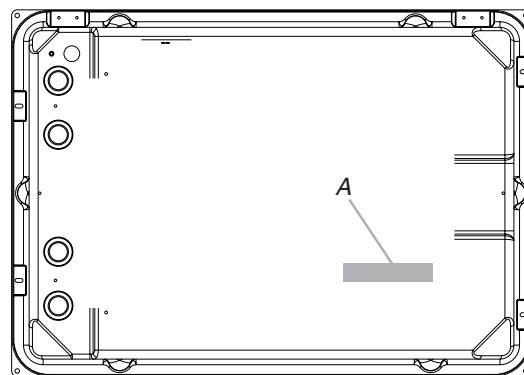
National Fire Protection Association
One Batterymarch Park
Quincy, MA 02269

CSA International
8501 East Pleasant Valley Road
Cleveland, OH 44131-5575

Avant d'établir la connexion électrique :

Pour installer la table de cuisson correctement, il faut établir le type de raccords électriques que l'on utilisera et suivre les instructions indiquées ici.

- L'appareil doit être alimenté uniquement par un circuit monophasé en CA uniquement de 240 V et 60 Hz, à 4 fils ou 3 fils, sur un circuit séparé de 40 ampères protégé par fusible à chaque extrémité du circuit. La plaque signalétique est située sur le placard métallique, sous la table de cuisson. Voir l'illustration ci-dessous.



A. Plaque signalétique

- La table de cuisson et son câble à 3 conducteurs ne comportent pas de conducteur neutre (blanc) et sa capacité nominale est de 240 volts.
- La table de cuisson doit être raccordée directement au boîtier de connexion par l'intermédiaire d'un câble flexible à conducteur de cuivre (avec blindage ou gaine non métallique). Le câble blindé flexible sortant du boîtier de distribution (fusible ou disjoncteur) doit être raccordé directement au boîtier de connexion.
- Placer le boîtier de connexion pour laisser le plus de jeu possible entre celui-ci et la table de cuisson pour pouvoir déplacer la table de cuisson en cas de besoin de réparation à l'avenir.
- Ne pas couper le conduit. Utiliser toute la longueur du conduit fourni.
- Un connecteur de conduit homologué UL ou CSA doit être fourni à chaque extrémité du câble d'alimentation électrique (à la table de cuisson et au boîtier de connexion). Un connecteur de conduit homologué est déjà fourni à la table de cuisson.
- Si le domicile est équipé d'un câblage en aluminium, suivre les instructions suivantes :
 1. Raccorder une section de câble en cuivre massif aux conducteurs en queue de cochon.
 2. Connecter le câblage en aluminium à la section ajoutée de câblage en cuivre en utilisant des connecteurs et/ou des outils spécialement conçus et homologués UL pour fixer le cuivre à l'aluminium.

Suivre la procédure recommandée par le fabricant de connecteurs électriques. La connexion aluminium/cuivre doit être conforme aux codes locaux et aux pratiques de câblage acceptées par l'industrie.

INSTRUCTIONS D'INSTALLATION

Installation de la table de cuisson

AVERTISSEMENT

Risque du poids excessif

Utiliser deux ou plus de personnes pour déplacer et installer la table de cuisson.

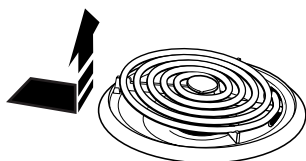
Le non-respect de cette instruction peut causer une blessure au dos ou d'autre blessure.

1. Enlever les matériaux d'expédition et le ruban adhésif de la table de cuisson. Enlever le matériel à l'intérieur du sachet de documentation.
2. À l'aide d'au moins 2 personnes, placer la table de cuisson dans l'ouverture avec précaution.

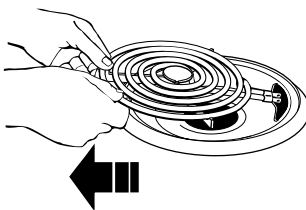
IMPORTANT : Vérifier que le bord avant de la table de cuisson est parallèle au bord avant du plan de travail. S'il est nécessaire de repositionner la table de cuisson, la soulever entièrement de l'ouverture pour éviter de rayer le plan de travail.

Si la table de cuisson doit être fixée au plan de travail (facultatif) :

1. Retirer les éléments tubulaires et les cuvettes des brûleurs.
 - Enfoncer le bord de chaque élément tubulaire vers le réceptacle. Soulever ensuite suffisamment pour pouvoir dégager la cuvette de brûleur.



- Tirer l'élément tubulaire en ligne droite pour le dégager du réceptacle.

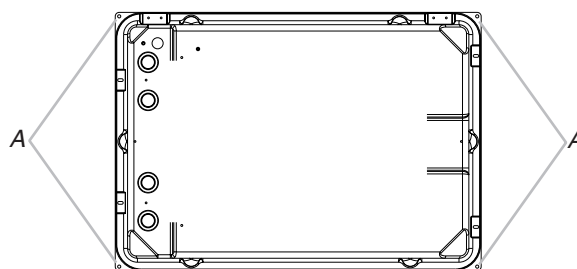


2. Retirer les 4 vis de l'intérieur de l'ouverture de chaque élément et soulever la table de cuisson de sa base.

3. À l'aide d'au moins 2 personnes, placer la table de cuisson dans l'ouverture d'encastrement avec précaution et déterminer son emplacement final.

REMARQUE : S'assurer que le bord avant de la table de cuisson est parallèle au bord avant du plan de travail. S'il est nécessaire de repositionner la table de cuisson, la soulever entièrement de l'ouverture pour éviter de rayer le plan de travail.

4. Sur le plan de travail, marquer l'emplacement des 4 trous de montage situés aux angles de la table de cuisson. Placer la table de cuisson sur une surface couverte.



A. Trous de montage

5. À l'aide d'un foret de 1/8" (3 mm), percer 4 avant-trous.
6. À l'aide d'au moins 2 personnes, placer la table de cuisson dans l'ouverture d'encastrement avec précaution de façon à ce que les trous de montage de la table de cuisson soient alignés avec les 4 avant-trous.
7. Fixer la base de la table de cuisson au plan de travail à l'aide des 4 vis de montage.
8. Réassembler la table de cuisson sur la base de la table de cuisson à l'aide des 4 vis.
9. Réinstaller les éléments tubulaires et les cuvettes des brûleurs.
 - Aligner les ouvertures de la cuvette de brûleur sur le réceptacle de l'élément tubulaire.



- Tout en maintenant l'élément tubulaire aussi horizontal que possible, enfoncer lentement l'élément tubulaire dans le réceptacle.
- Lorsque la borne a été enfoncée dans le réceptacle aussi loin que possible, appuyer sur le bord de l'élément tubulaire situé à l'autre extrémité du réceptacle.

⚠ AVERTISSEMENT



Risque de choc électrique

Déconnecter la source de courant électrique avant l'entretien.

Utiliser du fil en cuivre de calibre 8.

Relier la table de cuisson à la terre.

Le non-respect de ces instructions peut causer un décès, un incendie ou un choc électrique.

Cette table de cuisson est préconfigurée avec le châssis connecté au conducteur nu de liaison à la terre. Raccorder le câble de la table de cuisson au boîtier de connexion à l'aide du connecteur de conduit homologué UL ou CSA.

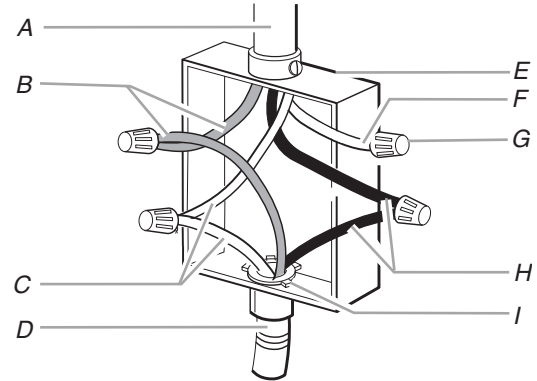
1. Déconnecter la source de courant électrique.
2. Enlever le couvercle du boîtier de connexion, le cas échéant.
3. Avec le connecteur de conduit (homologation UL ou CSA), connecter le conduit de câble flexible de la table de cuisson au boîtier de connexion.
4. Serrer les vis du connecteur de conduit, le cas échéant.
5. Voir le tableau "Options de raccordement électrique" pour terminer l'installation correspondant à votre type de raccordement électrique.

Options de raccordement électrique

Si le domicile comporte :	Point de distribution :	Voir la section suivante :
4 conducteurs 	Disjoncteur ou coupe-circuit avec fusible	Câble à 4 conducteurs depuis l'alimentation électrique du domicile
3 conducteurs 	Disjoncteur ou coupe-circuit avec fusible	Câble à 3 conducteurs depuis l'alimentation électrique du domicile

Câble à 4 conducteurs depuis l'alimentation électrique du domicile

IMPORTANT : Si les codes locaux ne permettent pas le raccordement du conducteur de liaison à la terre du châssis au conducteur neutre (blanc) dans le boîtier de connexion, utiliser le câble à 4 conducteurs provenant du point de distribution du domicile :

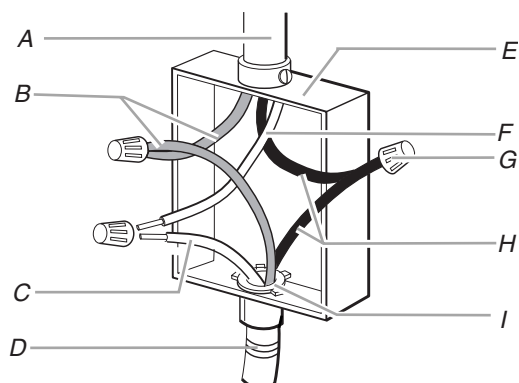


- | | |
|---|--|
| A. Câble depuis l'alimentation électrique du domicile | F. Conducteur blanc (depuis l'alimentation électrique du domicile) |
| B. Conducteurs rouges | G. Connecteur de fils (homologation UL) |
| C. Conducteurs verts ou nus de liaison à la terre | H. Conducteurs noirs |
| D. Câble à 3 conducteurs depuis la table de cuisson | I. Connecteur de conduit (homologation UL ou CSA) |
| E. Boîtier de connexion | |

1. Connecter ensemble les 2 conducteurs noirs avec les connecteurs de fils (homologation UL).
2. Connecter ensemble les 2 conducteurs rouges avec les connecteurs de fils (homologation UL).
3. Connecter le conducteur vert (ou nu) de liaison à la terre du câble de la table de cuisson avec le conducteur vert (ou nu) de liaison à la terre (dans le boîtier de connexion) avec les connecteurs de fils (homologation UL).
4. Placer un connecteur de fils (homologation UL) à l'extrémité du conducteur blanc.
REMARQUE : Ne pas connecter le conducteur nu de liaison à la terre au conducteur neutre (blanc) dans le boîtier de connexion.
5. Installer le couvercle du boîtier de connexion.

Câble à 3 conducteurs depuis l'alimentation électrique du domicile

IMPORTANT : Utiliser le câble à 3 conducteurs depuis le point de distribution lorsque les codes locaux en vigueur permettent le raccordement entre le conducteur de liaison à la terre du châssis et le conducteur neutre (blanc) dans le boîtier de connexion.



- | | |
|---|--|
| A. Câble depuis l'alimentation électrique du domicile | F. Conducteur blanc (depuis l'alimentation électrique du domicile) |
| B. Conducteurs rouges | G. Connecteur de fils (homologation UL) |
| C. Conducteur vert (ou nu) de liaison à la terre depuis la table de cuisson | H. Conducteurs noirs |
| D. Câble à 3 conducteurs depuis la table de cuisson | I. Connecteur de conduit (homologation UL ou CSA) |
| E. Boîtier de connexion | |

1. Connecter ensemble les 2 conducteurs noirs avec les connecteurs de fils (homologation UL).
2. Connecter ensemble les 2 conducteurs rouges avec les connecteurs de fils (homologation UL).
3. Connecter le conducteur vert ou nu de la table de cuisson au conducteur blanc (neutre) dans le boîtier de connexion avec les connecteurs de fils (homologation UL).
4. Installer le couvercle du boîtier de connexion.

Achever l'installation

1. Vérifier que toutes les pièces sont maintenant installées. S'il reste une pièce, passer en revue les différentes étapes pour découvrir laquelle aurait été oubliée.
2. Vérifier la présence de tous les outils.
3. Éliminer/recycler les matériaux d'emballage.
4. Avant d'utiliser la table de cuisson, utiliser une solution douce de nettoyant domestique et d'eau tiède pour la nettoyer. Sécher parfaitement avec un linge doux. Pour plus de renseignements, voir la section "Entretien de la table de cuisson" du Guide d'utilisation et d'entretien.
5. Lire "Utilisation de la table de cuisson" dans le Guide d'utilisation et d'entretien de la table de cuisson.
6. Reconnecter la source de courant électrique.

REMARQUE : Si la table de cuisson ne fonctionne pas après la mise sous tension, vérifier que le disjoncteur ne s'est pas déclenché ou que les fusibles ne sont pas grillés. Voir la section "Dépannage" dans le Guide d'utilisation et d'entretien pour plus de renseignements.

Si vous avez besoin d'assistance ou de service :

Consulter la section "Assistance ou service" du Guide d'utilisation et d'entretien ou contacter le marchand auprès duquel la table de cuisson a été achetée.