

# RF28JBEDBSR

28 cu. ft. 4-Door French Door Refrigerator with Food ShowCase Fridge Door

## Features

- Large Capacity – 28 cu. ft.
- Food ShowCase Fridge Door
- Metal Cooling
- Ice Master Ice Maker in the Refrigerator
- High-Efficiency LED Lighting
- External Filtered Water and Ice Dispenser
- FlexZone™ Drawer with Metal Cooling, 4 Temperature Control Settings and Smart Divider
- Twin Cooling Plus®
- ENERGY STAR®-Compliant
- Power Freeze and Power Cool Options
- EZ-Open Handle™ on Freezer Door and FlexZone™ Drawer
- Two Humidity-Controlled Crispers
- Tempered Glass Spill-Proof Shelves
- Gallon Door Bin

## Convenience

- CoolTight Door
- Dispenser Light
- Door Alarm
- Water Filter Indicator
- Child Lock



**ENERGY STAR®-Rated:**  
CEE Tier 1: More Efficient  
720 kWh/yr



Ranked **“Highest in Customer Satisfaction with French Door Refrigerators, in a Tie.”\***

—J.D. Power



Food ShowCase Fridge Door



Metal Cooling

## Available Colors



Stainless Steel



Black Stainless

## Signature Features

### FOOD SHOWCASE WITH METAL COOLING

- Innovative door-in-door design gives easy access to on-the-go items such as drinks and condiments.
- Stainless steel paneling locks in cold and seals in freshness while maintaining consistent temperature throughout the refrigerator.

### FLEXZONE™ DRAWER WITH METAL COOLING

- Metal Cooling cools food faster.<sup>1</sup>
- Counter-height drawer is optimized for family organization with easy access for kids.
- Adjustable Smart Divider and four customizable temperature control settings from Chill to Soft Freeze.

<sup>1</sup>Compared to Samsung refrigerator with plastic cooling plate.

### LARGE CAPACITY

- Our 28 cu. ft. extra-large-capacity Four-Door French Door has enough room to fit up to 28 bags of groceries.<sup>2</sup>

<sup>2</sup> Grocery comparison based on each cubic foot of usable space equaling one paper bag.

**SAMSUNG**

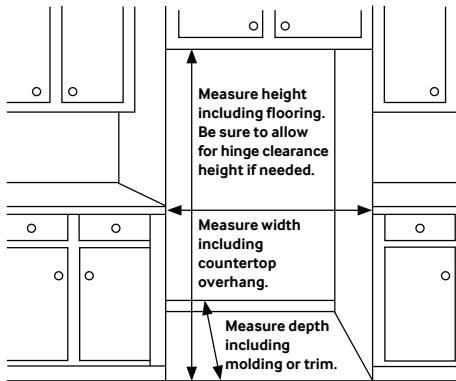
# RF28JBEDBSR

## 28 cu. ft. 4-Door French Door Refrigerator with Food ShowCase Fridge Door

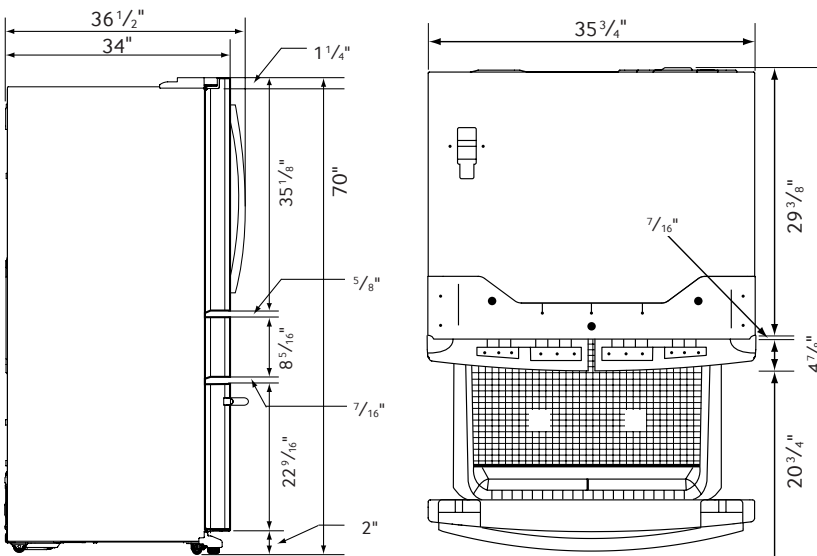
### Installing Your Refrigerator

1. Measure the height, width and depth of the opening, making sure to include baseboards, molding tile, countertop overhang, etc. Check to be sure there is enough room to open the door (consider walls, islands or other obstacles when measuring).
2. Refer to illustration below to determine dimensions.
3. Allow 2" of clearance on hinge side of refrigerator when installing next to a wall where handle may make contact.
4. Allow 1" minimum clearance at rear for proper air circulation and water/electrical connections. Allow a 3/8" minimum clearance at sides and top for ease of installation.
5. Ensure each door and entryway in the home is wide enough for the refrigerator to be moved through easily.

Please note: The following dimension and cutout information is for planning purposes only. For complete installation details consult manual packed with product, or download manual online at [samsung.com](http://samsung.com).



### Dimensions



### Total Capacity: 27.8 cu. ft.

#### Refrigerator: 15.7 cu. ft.

- Food ShowCase Fridge Door
- 5 Tempered Glass Spill-Proof Shelves
  - 1 Slide-In, 1 Slide-Out, 1 Foldable Half, 2 Fixed
- 2 Humidity Controlled Crispers
- 6 Door Bins
  - Right Door: 1 Gallon Bin, 1 Slide-Out, 1 Regular Bin
  - Left Door: 3 Regular Bins
- High-Efficiency Top and Side LED Lighting

#### FlexZone™ Drawer: 3.8 cu. ft.

- EZ-Open Handle™
- 4 Temperature Settings with Smart Divider:
  - Meat/Fish (29°F)
  - Cold Drinks (33°F)
  - Deli/Snacks (37°F)
  - Wine/Party Dishes (42°F)

#### Freezer: 8.3 cu. ft.

- EZ-Open Handle™
- 1 Drawer Divider
- High-Efficiency LED Lighting

### Accessories

Water Filter: HAF-CIN

### Warranty

One (1) Year Parts and Labor on Refrigerator

Five (5) Years Parts and Labor on Sealed Refrigeration System Only\*

Ten (10) Years Parts and Five (5) Years Labor on Digital Inverter Compressor

\*Compressor, evaporator, condenser, drier, connecting tubing

### Product Dimensions & Weight

Dimensions (WxHxD with hinges, handles and doors):

35 3/4" x 70" x 36 1/2"

Dimensions (WxHxD without hinges and door):

35 3/4" x 68 7/8" x 29 3/8"

Dimensions (WxHxD with hinge and door, no handle):

35 3/4" x 70" x 34"

Weight: 390.2 lbs.

### Shipping Dimensions & Weight (WxHxD)

Dimensions: 38 1/4" x 75 3/4" x 36 1/4"

Weight: 416.7 lbs.

Color	Model #	UPC Code
Stainless Steel	RF28JBEDBSR	887276142364
Black Stainless	RF28JBEDBSG	887276142357

**SAMSUNG**

\*Samsung received the highest numerical score for French door refrigerators in a tie in the proprietary J.D. Power 2014 Kitchen Appliance Study<sup>SM</sup>. Study based on 15,380 total responses measuring 10 French door refrigerator brands and measures opinions of consumers about their new appliance purchased in the past 24 months. Proprietary study results are based on experiences and perceptions of consumers surveyed in January-March 2014. Your experiences may vary. Visit [jdpower.com](http://jdpower.com).

Actual color may vary. Design, specifications, and color availability are subject to change without notice. Non-metric weights and measurements are approximate.

©2015 Samsung Electronics America, Inc. 85 Challenger Road, Ridgefield Park, NJ 07660. Tel: 800-SAMSUNG. [samsung.com](http://samsung.com). Samsung is a registered trademark of Samsung Electronics Co. Ltd.