

5.0 Cubic Foot Chest Freezer

HF50CM23NW



Available

Unit Specifications

Width	28 3/8"
Depth	21 5/8"
Height	33 1/4"
Weight	79 lbs.
UPC	688057211510

More Easy-To-Use Features

- Holds up to 175lbs of frozen food
- Adjustable thermostat control
- Easy-Access Defrost Drain
- Space-Saving Flat-Back Design
- Manual Defrost
- Removable Basket

Warranty

- 1 Year Warranty (Parts and Labor)
- 5 Year Sealed System

Available Finishes



White

Signature Features

Storage for up to 175 lbs

Storage space to accommodate all your frozen food needs

Removable Basket

Allows flexibility when arranging items

Easy Access Defrost Drain

Front drain makes defrosting quick and effortless

Adjustable Thermostat

Ensures accurate storage temperatures at the turn of a dial

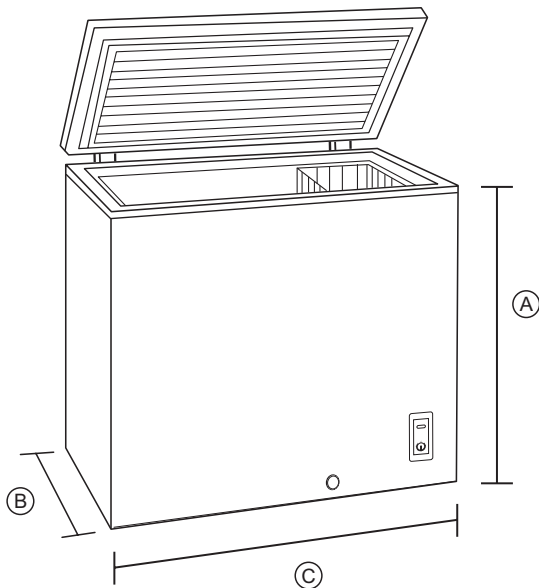
Letter	Cutout Dimension	in.
A	Height	28 3/8"
B	Depth	21 5/8"
C	Width	33 1/4"

Clearances	
Back	4"
Sides	4"
Top	Do not block

Power Requirements	
Electrical Rating	115V, 60Hz
Energy Use	216kWh
Refrigerant	R600a

Overall Packaging Details	
Packaging	lb./in.
Gross Weight	79 lb.
Dimensions	W 30 1/2"
	D 23 1/16"
	H 35 1/16"

Product Technical Illustration



General Appliance Information

Please read all installation details and instructions before use.

Contact Us

For questions regarding this product please refer to our website at haieramerica.com or call our customer service center at 877-337-3639.

