

**CADET CORNER WHIRLPOOL & BATHING POOL**

**2775.018W Whirlpool featuring System I**

- Acrylic with fiberglass reinforcement
- Pre-leveled tub bottom
- Dual, backrest positions
- Molded-in arm rests
- 2.0 HP single speed, self-draining pump/motor
- Factory installed power cord with plug
- Eight multi-directional and flow-adjustable jets including:
  - Two Ideal-flow jets
  - Two body massage jets
  - Four recessed back-rest jets (two in each backrest)
- Deck-mounted air switch On/Off
- Two silent air volume controls
- Quick Connect Safe-T-Heater connection system
- Factory installed and tested whirlpool system

**2775.018WC Stay Clean™ Whirlpool Massage Featuring System I:**

- Same as 2775.018W except with the StayClean™ whirlpool system featuring Antimicrobial AlphaSan®

**2775.002 Bathing Pool only**

Nominal Dimensions: 2159 x 1524 x 502mm  
(85" x 60" x 19-3/4")

**Compliance Certifications -  
Meets or Exceeds the Following Specifications:**

- Underwriters Laboratories - Hydromassage Bathtubs UL 1795
- ASME A112.19.7M for Whirlpool Appliances
- ANSI Z124.1 for Plastic Bathtubs
- ASTM E162 for Flammability
- NFPA 258 for Smoke Density



**To Be Specified - Required:**

- Color:
- Bath Filler: (specify finish)
- Bath Drain: 1583.470 (specify finish)

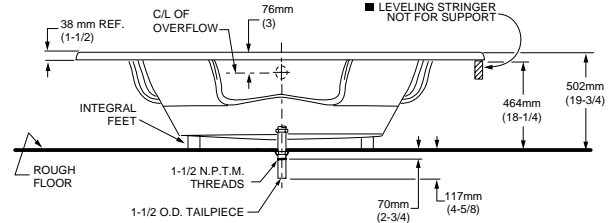
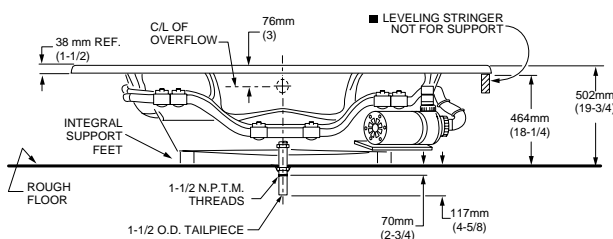
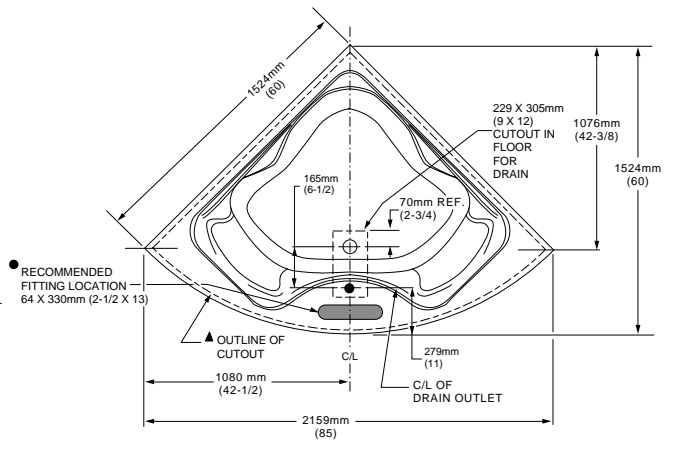
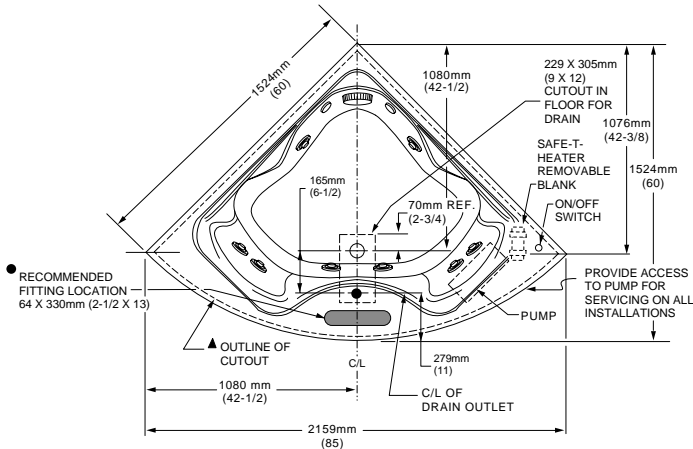
**To Be Specified - Optional:**

- Safe-T-Heater\*: 9075.120
- Jet Trim Ring Kit: 9860.200-two per kit (Specify finish)
- Universal Tile Bead Kit: 751755-100
- Grab Bar Kit: 9822.200-two per kit (specify finish)

For color/finish availability and other faucet choices, please see the Product Selector and Pricing Guide.

\* **NOTE:** the Safe-T-Heater is designed to maintain water temperature during operation. It will not heat cold water to desired bathing temperature.

**NOTE:** Roughing-in dimensions and product specifications shown on reverse side of page.



**GENERAL SPECIFICATIONS FOR 2775 WHIRLPOOL**

INSTALLED SIZE	85 X 60 X 19-3/4in. (2159 X 1524 X 502mm)
WEIGHT	130 Lbs. (59 Kg.)
WEIGHT w/WATER	756 Lbs. (343 Kg.)
GAL. TO OVERFLOW	75 Gal. (284 L.)
MIN. OPERATING GAL.	60 Gal. (227 L.)
BATHING WELL AT SUMP	32 X 32 In. (813 mm X 813 mm)
BATHING WELL AT RIM	46 X 46 In. (1168 X 1168mm)
WATER DEPTH TO OVERFLOW	14 In. (356 mm)
FLOOR LOADING (PROJECTED AREA)	34 Lbs./Sq. Ft. (115 Kgs/Sq. m.)
PTS.	41.7
CUBE (FT <sup>3</sup> )	70.4

**WHIRLPOOL ELECTRICAL SPECIFICATIONS**

SYSTEM I PUMP 2.1 HP, 14.4 AMPS, 120V.

**GENERAL SPECIFICATIONS FOR 2775 BATHING POOL**

INSTALLED SIZE	85 X 60 X 19-3/4in. (2159mm X 1524 mm X 502mm)
WEIGHT	105 Lbs. (48 Kg.)
WEIGHT w/WATER	730 Lbs. (328 Kg.)
GAL. TO OVERFLOW	75 Gal. (284 L.)
BATHING WELL AT SUMP	32 X 32 In. (813 mm X 813 mm)
BATHING WELL AT RIM	46 X 46 In. (1168 X 1168mm)
WATER DEPTH TO OVERFLOW	14 In. (356 mm)
FLOOR LOADING (PROJECTED AREA)	33 Lbs./Sq. Ft. (111 Kgs/Sq. m.)
PTS.	41.7
CUBE (FT <sup>3</sup> )	70.4

**NOTES:**

BATH CAN BE INSTALLED EITHER ABOVE OR BELOW FLOOR LINE AS PIER, ISLAND, OR PENINSULA TYPE INSTALLATION. SUMP OF BATH IS SUPPORTED BY INTEGRAL FEET. NO ADDITIONAL SUPPORT REQUIRED. ENCLOSING MATERIAL BY OTHERS.

- REFER TO INSTALLATION INSTRUCTIONS SUPPLIED WITH WHIRLPOOL FOR ADDITIONAL INFORMATION.

OPTIONAL 2 WALL TILING BEAD KIT AVAILABLE AND MUST BE ORDERED SEPARATELY.

FITTINGS NOT INCLUDED AND MUST BE ORDERED SEPARATELY.

PROVIDE SUITABLE REINFORCEMENT FOR ALL SUPPORTS.

**IMPORTANT:**

Dimensions of fixtures are nominal and may vary within the range of tolerances established by ANSI Standard Z124.1/A112.19.7M.

These measurements are subject to change or cancellation. No responsibility is assumed for use of superseded or voided leaflet.