

Dishwashers

FBD2400K S/W/B

24" Built-In



Product Dimensions

Height (Adjustable)	33-1/2" - 35"
Width	24"
Depth (Including Door)	25"

More Easy-To-Use Features

Energy Saver Dry Option
No heat dry option.

Low-Rinse Aid Indicator Light

Mechanical Controls

Available in:



Stainless
(S)



White
(W)



Black
(B)

Signature Features

Fits up to 12 Place Settings

Cleans 12 place settings in one cycle.

Polymer Tub

Supports the drying process, keeping dishes dry the first time.

Built with American Pride

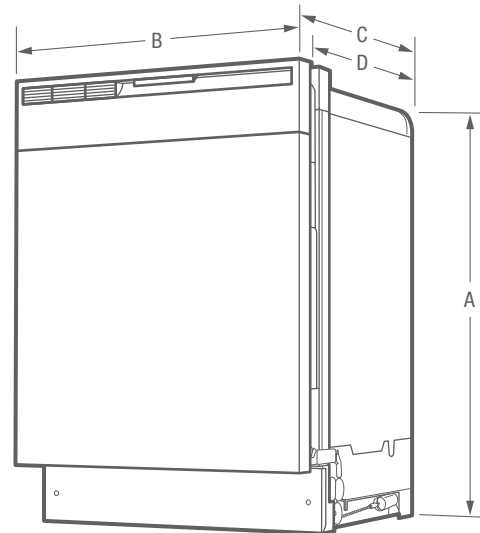
Designed, engineered and assembled in the U.S.A.

Filtration

Removable, self-cleaning filter.

Features	
Control Design	Mechanical
Digital Display	
Door Latch	Squeeze Latch
Stay-Put Door Hinge Design	
Low Rinse-Aid Indicator Light	Yes
Interior Design	Tall Tub
Interior Color	White
Wash System	Tower Wash
Wash Levels/Wash Speeds	2/1
Sound Package	UltraQuiet™
Filter	Plastic
Filter Trap	Removable
Soft Food Disposer	Yes
dB Level	62
Drying System	Static
Cycles	
Number of Cycles	2
Heavy	Yes
Normal	Yes
Light	
Delicate	
Favorite	
China/Crystal	
Rinse Only	
Energy Saver Plus	
Upper Rack Wash Only	
Cycle Indicator Light	
Control Lock	
Options	
Heat/No Heat Dry	Yes
Hi-Temp Wash	
NSF® Certified Sanitize Rinse	
Delay Start	
Rack System	
Rack Design/Rack Coating	Standard/PVC
Upper Rack -	
Stemware/Champagne Glass Holders	
Fold-Down Tines	
Cup Shelves	
Lower Rack -	
SpaceWise® Silverware Basket	Standard
Fold-Down Tines	
Small Items Cover	
Specifications	
Water Inlet Location	Left Bottom Front
Water Usage (Gallons)	7.2
Water Pressure (PSI)	20 - 120
Integral Air Gap on Supply	Yes
Leveling Legs	4
Power Supply Connection Location	Right Bottom Front
Voltage Rating	120V / 60 Hz / 15A
Connected Load (kW Rating) @ 120 Volts¹	1.44
Amps @ 120 Volts	10
Shipping Weight (Approx.)	83 Lbs.

¹For use on adequately wired 120V, dedicated circuit having 2-wire service with a separate ground wire. Appliance must be grounded for safe operation.



NOTE: For planning purposes only. Always consult local and national electric and plumbing codes. Refer to Product Installation Guide for detailed installation instructions on the web at frigidaire.com.

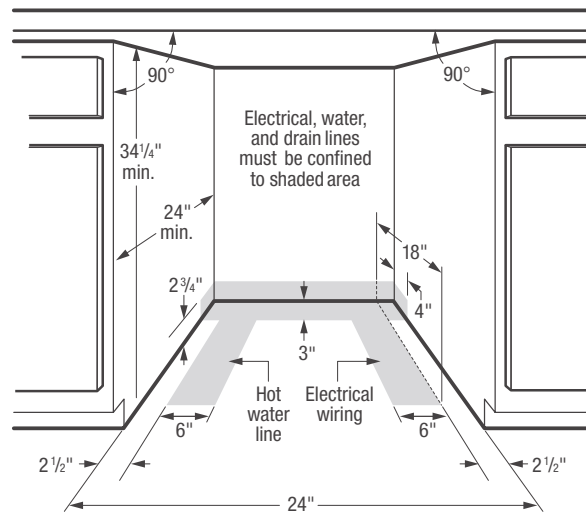
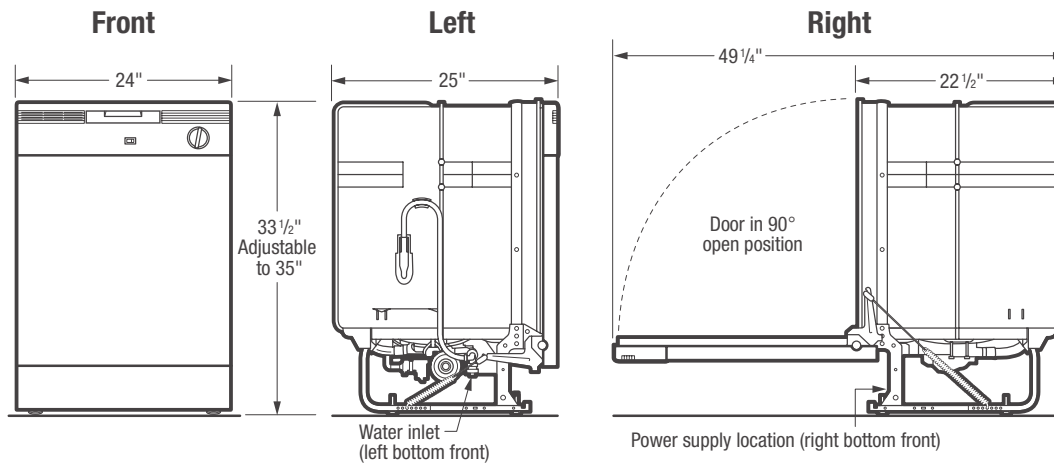


Meets requirements of ASSE 1006

Product Dimensions	
A - Height (Adjustable)	33-1/2" - 35"
B - Width	24"
C - Depth (Including Door)	25"
D - Depth (To Tub Flange)	22-1/2"
Depth with Door Open 90°	49-1/4"

Cutout Dimensions	
Height (Min.)	34-1/4"
Height (Max.)	35"
Width (Min.)	24"
Depth (Min.)	24"

Accessories information available on the web at frigidaire.com



Dishwasher Specifications

- Product Shipping Weight (approx.) - 83 Lbs.
- Voltage Rating - 120V / 60 Hz / 15 Amps (maximum 20 Amps if connected with disposer)
- Connected Load (kW Rating) @ 120 Volts = 1.44 kW (For use on adequately wired 120V, dedicated circuit having 2-wire service with a separate ground wire. Appliance must be grounded for safe operation.)
- Amps @ 120V = 10 Amps
- Always consult local and national electric & plumbing codes. Meets requirements of ASSE 1006 – integral air gap on supply.
- Water Pressure - Hot water line to dishwasher must provide between 20 and 120 pounds per square inch (psi).
- Make sure location has right drain, water and electrical outlets to make connections.

- Keep back free of drain, water & electrical supply.
- Electrical and water supplies should enter cabinet opening on floor, or through back or side walls, as shown in shaded areas.
- Connections preferably located toward left side of dishwasher. Do not cross drain, water or electrical lines in front of motor, blower or frame.
- When installing adjacent to wall, cabinet or other obstruction that extends beyond front edge of unit, allow 2" minimum clearance between opened door and obstruction.
- When installing at end of cabinet line, sides must be fully enclosed.
- Do not install unit under a cooktop, damage will occur.

Note: For planning purposes only. Refer to Product Installation Guide on the web at frigidaire.com for detailed instructions.