



Tel: 714-891-7797  
 Fax: 714-891-2478  
 Toll Free: 800-822-8855  
 www.calfaucets.com

# ACCESSORIES

**INSTALLATION  
INSTRUCTIONS**

California Faucets®

## IMPORTANT

All *California Faucets*® products are engineered to provide quality performance provided they are installed and operated properly. To fully enjoy the comfort, safety, and reliability of your new Accessories, please follow the instructions below.

California Faucets reserves the right to make modification and specification changes at any time. Please visit [www.calfaucets.com](http://www.calfaucets.com) for most current technical data.

### Single Post Paper/Towel Holder

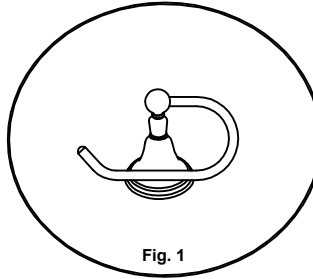
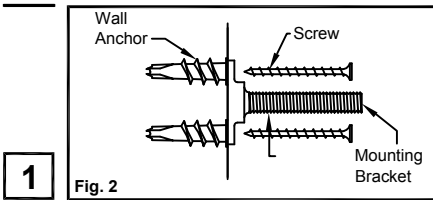


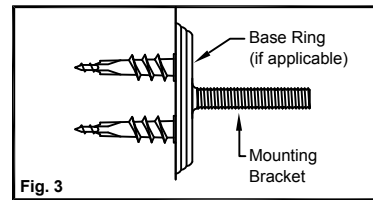
Fig. 1



1

Fig. 2

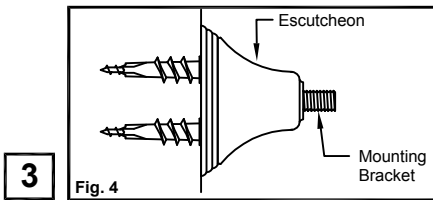
Install mounting bracket to wall with screws (supplied) and anchors (if applicable).



2

Fig. 3

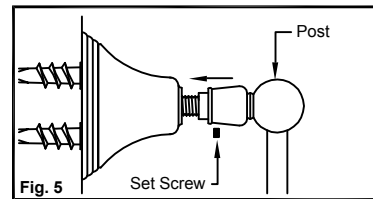
Place base ring (required on certain models) against wall, over the mounting bracket.



3

Fig. 4

Place escutcheon against wall, over the mounting bracket.



4

Fig. 5

Set post over the wall bracket, inserting through escutcheon. Tighten set screw with allen key (supplied).

**REMEMBER:**  
Please retain allen key as posts may require periodic tightening with normal use.

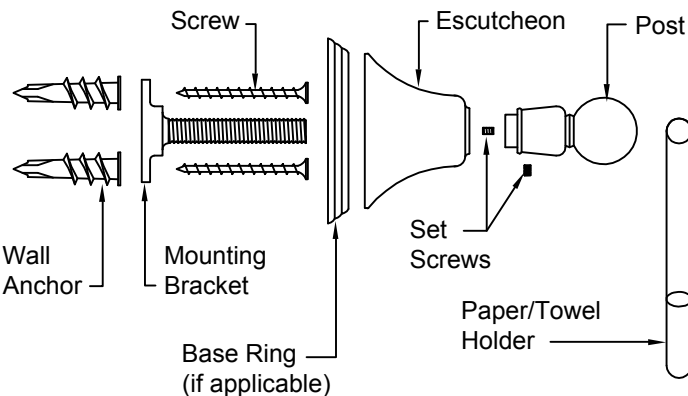


Fig. 6

**IMPORTANT CLEANING NOTICE**  
Please refer to *Finish Care Instructions* for complete cleaning information. Wipe frequently with a soft, damp cloth. *Never use acids, harsh abrasives or detergents.*