



36-INCH FREEZER COLUMN, RIGHT-HINGE PANEL-READY

DRZ3698ORAP



PRODUCT FEATURES

- Full height door with true flush cabinet integration without exposed venting grille
- SteelCool™ Stainless Steel Interior illuminated by 3DLighting™
- Push-To-Open™ Door Assist opens the door upon a slight push for a luxuriously convenient experience
- Dual Icemaker with Standard and Cocktail Ice™
- Best-in class food preservation with dedicated evaporator/compressor and Precise Cooling Technology

TEMPERATURE RANGES

| | |
|------------------------|-----------------------------|
| FREEZER | 5°F (-15°C) TO -8°F (-23°C) |
| FREEZER - POWER FREEZE | -8°F (-23°C) |

DIMENSIONS & WEIGHT

| | |
|--|-------------------------------|
| APPLIANCE DIMENSIONS (H X W X D) (IN.) | 83 3/8" X 35 3/4" X 23 13/16" |
| REQUIRED CUTOUT SIZE (H X W X D) (IN.) | 84" X 36" X 25" |
| NET WEIGHT (LBS) | 580 LBS. |

GENERAL PROPERTIES

| | |
|--|--|
| PANEL READY | YES |
| DOOR SWING | RIGHT |
| PUSH-TO-OPEN™ DOOR ASSIST | YES |
| ICEMAKER | DUAL ICEMAKER FOR STANDARD AND COCKTAIL ICE™ |
| LIGHTING | 3DLIGHTING™ |
| INTERIOR MATERIAL | STEELCOOL™ STAINLESS STEEL INTERIOR |
| FULL WIDTH SHELVES | 3 EA |
| SHELF MATERIAL | TEMPERED, METAL TRIM, SPILL-PROOF |
| FULL EXTENSION DRAWERS AT 90° DOOR OPENING ANGLE | YES |
| HIDDEN COMPARTMENT WITH FLIP-UP COVER | 1 EA |
| FREEZER DRAWER | 2 EA |
| DOOR BINS | 4 EA |
| DOOR OPEN ALARM | YES |
| SPECIAL MODES | SABBATH MODE |

CAPACITY

| | |
|---|--------------|
| TOTAL UNIT GROSS CAPACITY (CU.FT.) - AHAM | 21.4 CU. FT. |
| REFRIGERATOR GROSS CAPACITY (CU.FT.) | 21.4 CU. FT. |

PERFORMANCE

| | |
|--|------------|
| DEDICATED EVAPORATOR & COMPRESSOR SYSTEM | YES |
| POWER FREEZE | YES |
| DEFROST PROCESS | FROST-FREE |
| PRECISE COOLING | YES |

EFFICIENCY

| | |
|---------------------------|--------------|
| ENERGY STAR QUALIFIED | YES |
| ANNUAL ENERGY CONSUMPTION | 580 KWH/YEAR |

TECHNICAL DETAILS

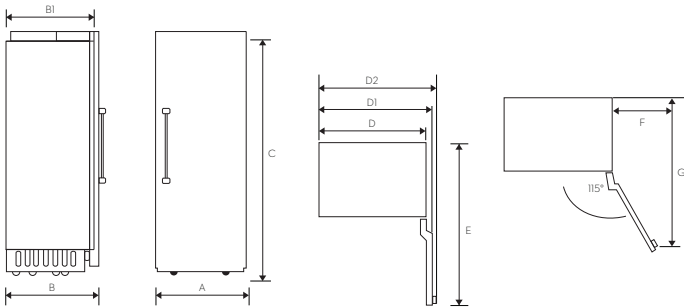
| | |
|-------------------------|----------------|
| CURRENT (A) | 15 |
| VOLTS (V) | 115 |
| FREQUENCY (HZ) | 60 |
| POWER CORD LENGTH (IN.) | 78 3/4" |
| PLUG TYPE | 120 V, 3 PRONG |

WARRANTY

| | |
|--|-------------------|
| LIMITED, ENTIRE APPLIANCE, PARTS AND LABOR ON ANY PART OF THE REFRIGERATOR | 2 YEAR |
| LIMITED WARRANTY FOR SEALED REFRIGERATION SYSTEM; PARTS AND LABOR | 3RD TO 6TH YEAR |
| LIMITED WARRANTY FOR SEALED REFRIGERATION SYSTEM; PARTS ONLY | 7TH TO 12TH YEAR |
| LIMITED WARRANTY FOR COMPRESSOR; PARTS ONLY | 13TH TO 15TH YEAR |

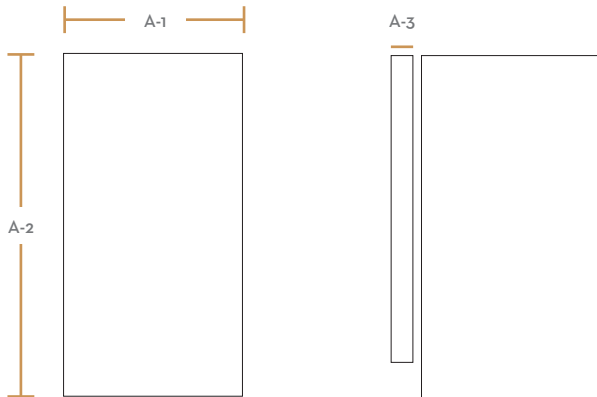
APPLIANCE DIMENSIONS

| | |
|--|------------------------|
| A (WIDTH) | 35 3/4" (908 MM) |
| B (WITH PANEL) | 25" (635MM) |
| B ₁ (WITHOUT PANEL) | 23 13/16" (605MM) |
| C (HEIGHT) | 83 3/8" (2118 MM) |
| D | 35 5/8" (905 MM) |
| D ₁ (TO FRONT OF PANEL) | 36 7/8" (936 MM) |
| D ₂ (WITH MODERNIST HANDLE) | 36 - 39 3/8" (1000 MM) |
| D ₃ (WITH PRO STYLE HANDLE) | 36 - 38 3/4" (984 MM) |
| E | 62 7/8" (1597 MM) |
| F | 20 9/16" (496 MM) |
| G | 61 5/16" (1556 MM) |



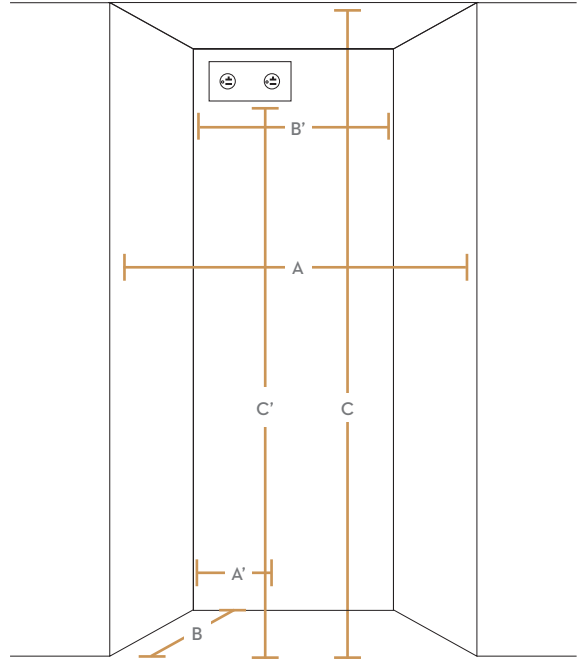
CUSTOM PANEL DIMENSIONS

| | |
|--------------|-------------------|
| A-1 (WIDTH) | 35 3/4" (908MM) |
| A-2 (HEIGHT) | 79 7/8" (2,029MM) |
| A-3 (DEPTH) | 3/4" (19MM) |
| MAX WEIGHT | 66.0 LBS. (30KG) |



INSTALLATION CUTOUT DIMENSIONS

| | |
|------------|---------------|
| A (WIDTH) | 36" (914MM) |
| B (DEPTH) | 25" (635MM) |
| C (HEIGHT) | 84" (2,134MM) |
| A' | 9" (228MM) |
| B' | 26" (660MM) |
| C' | 80" (2,032MM) |



ACCESSORIES

| | |
|--|-------------|
| GRAPHITE STAINLESS STEEL - 36" PANEL (RIGHT HINGE) | RAC36DPRHMS |
| GRAPHITE STAINLESS STEEL - 36" KICK PLATE | RAC36TKBBMS |
| GRAPHITE STAINLESS STEEL - MODERNIST HANDLE | RAC00MHAAMS |
| SILVER STAINLESS STEEL - 36" PANEL (RIGHT HINGE) | RAC36DPRHSR |
| SILVER STAINLESS STEEL - 36" KICK PLATE | RAC36TKBBSR |
| SILVER STAINLESS STEEL - MODERNIST HANDLE | RAC00MHAASR |
| SILVER STAINLESS STEEL - DACOR PRO HANDLE | RAC00PHAASR |
| PAIR INSTALLATION KIT | RAC00CPAAAA |
| WATER FILTER | RAC00WFAAAA |
| DEODORIZING FILTER | RAC00DFAAAA |