

Freestanding Ranges

FFEF3016T S/M/W/B

30" Electric



Product Dimensions

Height (Max.)	46-5/8"
Width	29-7/8"
Depth (Including Handle)	28-1/2"

More Easy-To-Use Features

Built with American Pride

Designed, engineered and assembled in the U.S.A.

Auto Shut-Off

As an extra safety measure, the oven will automatically shut off after 12 hours.

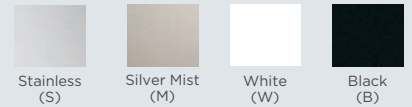
Color-Coordinated Oven Door with Extra-Large Window

Our extra-large oven window makes it easier to check on the status of your dish without having to open the oven door.

Electronic Kitchen Timer

Times up to 12 hours.

Available in:



Elements	Size	Watts
Right Front	6"	1,500
Right Rear	8"	2,600
Left Front	8"	2,600
Left Rear	6"	1,500

Signature Features

One-Touch Self Clean

Your oven cleans itself - so you don't have to. Self clean options available in 2- and 3-hour cycles.

Store-More™ Storage Drawer

With the Store-More™ Storage Drawer, you will have extra space to store your cookware.

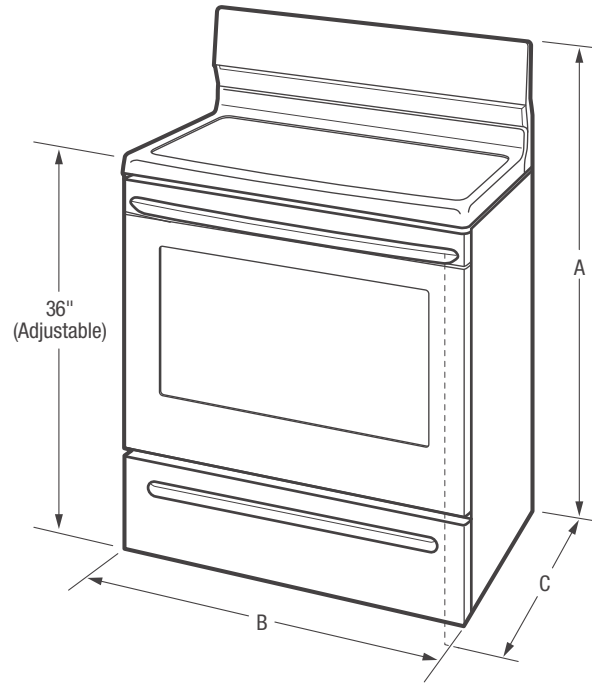
Delay Clean

Set the oven to begin cleaning on your schedule.

Large Capacity

Our large capacity oven gives you room to cook more dishes at once.

Features	
Oven Control/Timing System	Ready-Select® Controls
Surface Type	Black Porcelain (S/M), Color-Coordinated Porcelain (W/B)
Window	Extra-Large
Exterior Door Finish	Stain. Steel (S), Silver Mist (M), Color-Coord. (W/B)
Handle Design	Black (S/M), Color-Coordinated (W/B)
Exterior Finish (Side Panels)	Black (S/M), Color-Coordinated (W/B)
Convection System	
Oven Cleaning System	Self Clean
Drawer Functionality	Storage
Oven Controls	
Bake	Yes
Broil	Low and High
Add-a-Minute	
Delay Bake	
Self-Clean	Yes
Quick Clean Option	Yes
Delay Clean	2, 3 Hour
Kitchen Timer	Yes
Timed Cook Option	
Auto Oven Shut-Off	12 Hours
Oven Lock-Out	
Cooktop Features	
Right Front Element (Watts)	6" - 1,500
Right Rear Element (Watts)	8" - 2,600
Left Front Element (Watts)	8" - 2,600
Left Rear Element (Watts)	6" - 1,500
Center Element (Watts)	
Element "On" Indicator Light	Yes
Coil Cooktop/Drip Bowls	Yes/Chrome
Oven Features	
Capacity (Cu.Ft.)	5.3
Oven Light	1
Hidden Bake Element	
Rack Configuration	2 Standard
Baking System	Even Baking Technology
Broiling System	Vari-Broil™ Hi/Lo
Bake Element/Broil Element (Watts)	2,600/3,000
Specifications	
Oven Interior (H x W x D)	19-3/4" x 24-3/8" x 19-1/8"
Power Supply Connection Location	Middle Bottom Rear
Voltage Rating	240V/208V/60Hz
Connected Load (kW Rating) @ 240/208 Volts	11.5/8.5
Minimum Circuit Required (Amps)	40
Shipping Weight (Approx.)	160 Lbs.



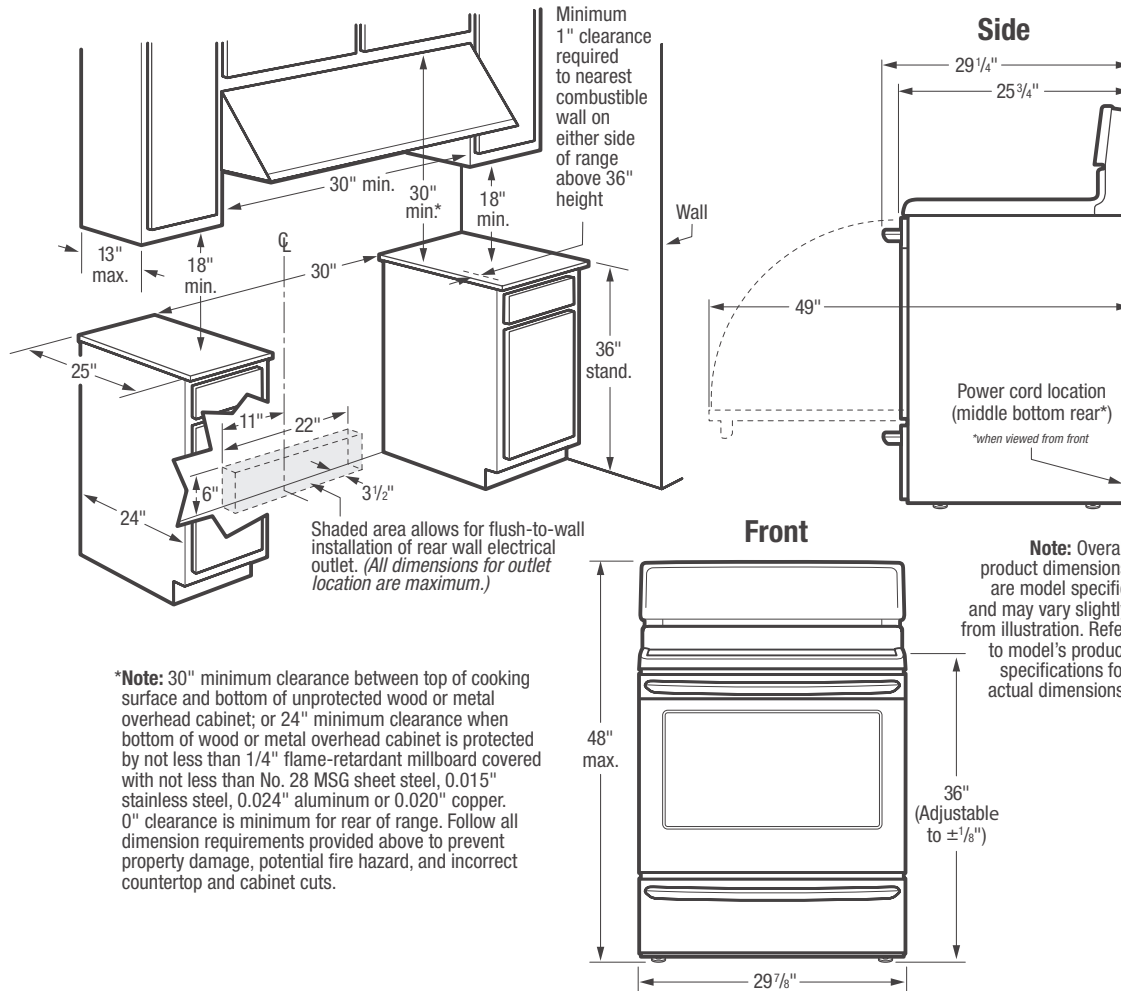
NOTE: For planning purposes only. Always consult local and national electric codes. Refer to Product Installation Guide for detailed installation instructions on the web at frigidaire.com.



Product Dimensions	
A - Height (Max.)	46-5/8"
B - Width	29-7/8"
C - Depth (Including Handle)	28-1/2"
Depth with Door Open 90°	48-3/8"

Cutout Dimensions	
Height (Standard)	36"
Width (Min.)	30"
Depth (Min.)	24"

Accessories information available on the web at frigidaire.com



Freestanding Range Specifications

- Product Shipping Weight (approx.) - 160 Lbs.
- Single phase 3- or 4-wire cable, 120/240 or 120/208 Volt, 60 Hertz, fused on both sides of line with ground.
- Connected Load (kW Rating) @ 240/208 Volts = 11.5/8.5kW
- Recommended Circuit Breaker - 40 Amps
- Always consult local and national electric codes.
- Make sure wall coverings around range can withstand heat generated by range.
- Floor beneath range MUST be solid and level.
- Overhead cabinetry should not exceed a 13" maximum depth.
- Absolute minimum horizontal distance between overhead cabinets installed to either side of appliance must be no less than maximum width of appliance.
- Range can be installed flush to wall with 0" minimum rear clearance.
- Minimum 1" clearance required from edge of rangetop to nearest combustible wall on either side of range above 36" height.

- Allow 30" minimum clearance between top of cooking surface and bottom of unprotected wood or metal overhead cabinet; or 24" minimum clearance when bottom of wood or metal overhead cabinet is protected by not less than 1/4" flame retardant millboard covered with not less than No. 28 MSG sheet steel, 0.015" stainless steel, 0.024" aluminum or 0.020" copper.
- To reduce risk of fire when using overhead cabinetry, install range hood that projects horizontally a recommended minimum of 5" beyond bottom of cabinets.
- Follow all dimension requirements provided to prevent property damage, potential fire hazard, and incorrect countertop and cabinet cuts.

Note: For planning purposes only. Refer to Product Installation Guide on the web at frigidaire.com for detailed instructions.

