

# DV40J3000EW

SAMSUNG

## Samsung Electric Dryer

7.2 cu. ft. Capacity DOE



### Signature Features

#### Sensor Dry

- Optimizes the time and temperature to dry clothes thoroughly, avoiding heat damage.

#### 8 Preset Drying Cycles

- Multiple cycles for better drying.

#### 7.2 cu. ft. Capacity

- Gets more laundry done in less time.

### Available Color



White



Sensor Dry



8 Preset Drying Cycles

### Features

- Sensor Dry
- 8 Preset Drying Cycles with 2 Options
- 7.2 cu. ft. Capacity
- 4 Temperature Settings
- 4-Way Venting
- Reversible Door
- 4 Timed Dry Settings
- LED Indicators

### Convenience

- Child Lock
- Filter Check Indicator

### Rating

644 kWh/yr

# DV40J3000EW

# SAMSUNG

## Samsung Electric Dryer

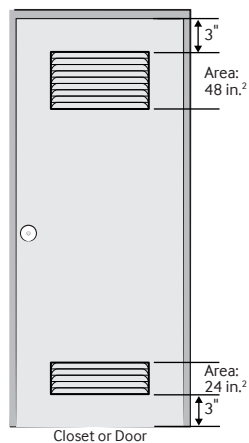
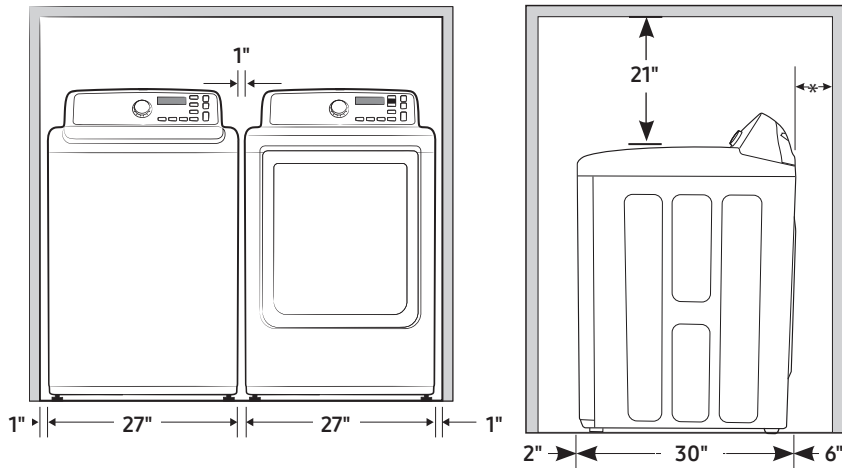
7.2 cu. ft. Capacity DOE

### Installation Specifications

#### Alcove or closet installation

Recessed Area

Side View Confined



#### Minimum clearances for closets and alcoves:

Sides – 1"  
Top – 21"  
Rear – 6"  
Closet Front – 2"

If the washer and dryer are installed together, the closet front must have at least a 72-inch<sup>2</sup> unobstructed air opening. Your washer alone does not require a specific air opening.

\*Required spacing (External exhaust elbow may require additional space.)

#### 4-Way Venting

#### 8 Preset Dry Cycles:

Very Dry, More Dry, Normal Dry, Damp Dry, Time Dry, Air Fluff, Quick Dry, Wrinkle Release

#### 2 Options:

Wrinkle Prevent, Child Lock

#### 4 Temperature Settings:

High, Medium, Low, Extra Low

#### Warranty

One (1) Year Parts and Labor

#### Product Dimensions & Weight (WxHxD)

Dimensions: 27" x 44" x 30"

Weight: 114.7 lbs

#### Shipping Dimensions & Weight (WxHxD)

Dimensions: 29<sup>9</sup>/<sub>16</sub>" x 46<sup>9</sup>/<sub>16</sub>" x 31<sup>3</sup>/<sub>16</sub>"

Weight: 123.5 lbs

#### Electric

#### Model #

#### UPC Code

White DV40J3000EW

887276086972

#### Gas

White DV40J3000GW

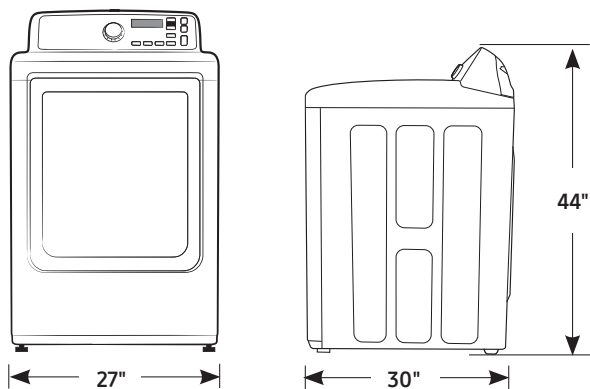
887276086958

#### Matching Washer

White WA40J3000AW

887276086989

### Dimensions



Actual color may vary. Design, specifications, and color availability are subject to change without notice. Non-metric weights and measurements are approximate.

©2018 Samsung Electronics America, Inc. 85 Challenger Road, Ridgefield Park, NJ 07660. Tel: 800-SAMSUNG. samsung.com. Samsung is a registered trademark of Samsung Electronics Co., Ltd.