

## RED006

6" Round Airflow Reducer - 25 CFM Reduction

### For use with the following models:

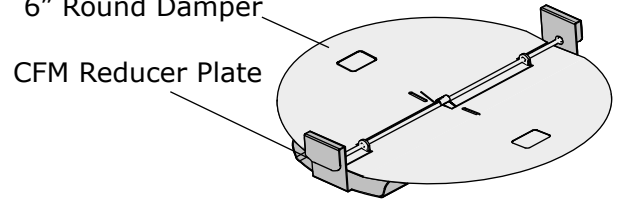
Arc and Cheng Collection (w/CBI-600A blower), AK75xxASX and AK8300ASX (w/CBI-600B blower), AK70xxAS, AK8100AS, ZAG-xxxAG, ZAN-xxxAS, ZAZ-xxxAS, ZSA-xxxBS, ZFI-M90BS, ZRM-xxxBS, ZRO-xxxBS.

### Included Materials:

Installation Confirmation Sticker

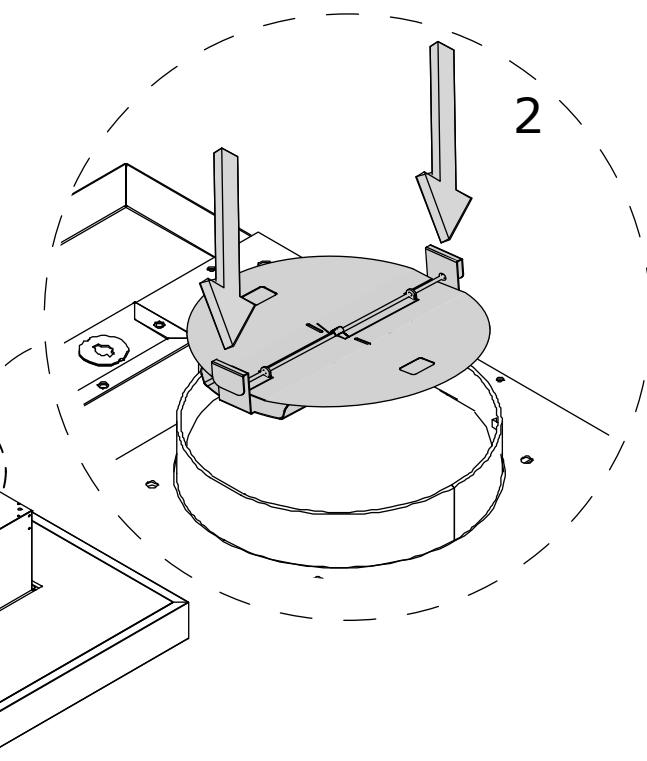
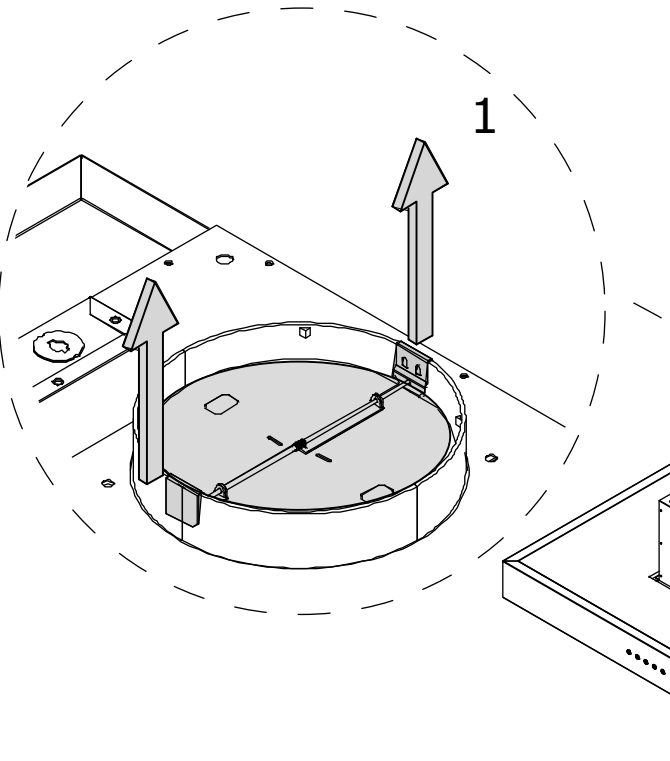
6" Round Damper

CFM Reducer Plate



**1.** Remove existing damper and damper clips from blower collar.

**2.** Position CFM reducer so that reducer clips hang over blower collar.



**3.** Firmly press down on CFM reducer clips to secure CFM reducer in place.

**4.** Attach reducer installation confirmation sticker to a conspicuous location on the interior back wall of the unit.

