

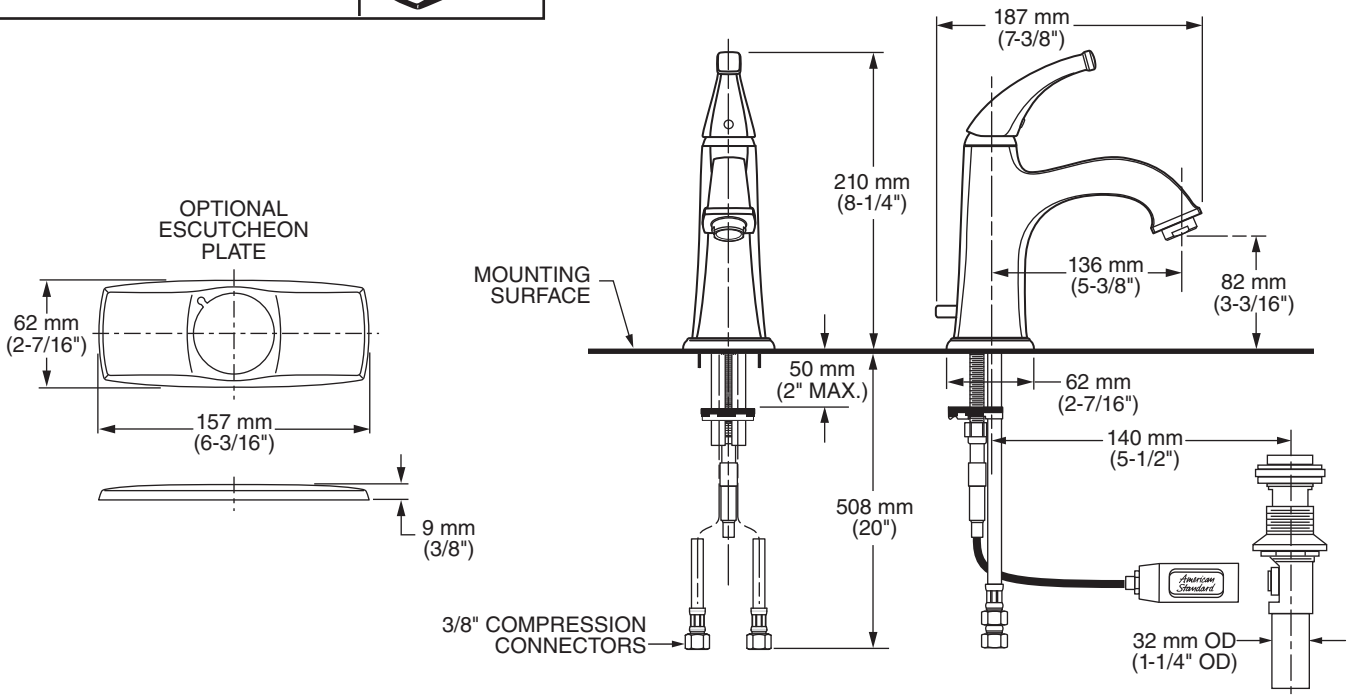


MODEL NUMBER:

- ❑ 2555.101 Town Square Single Control Monoblock
Metal lever handle. Metal Speed Connect® pop-up drain.

AVAILABLE ACCESSORY:

- ❑ 2555.101P Escutcheon Plate Only



GENERAL DESCRIPTION:

Cast brass body. Metal lever handle. Washerless 28mm ceramic disc valve cartridge. Braided flexible supply hoses with 3/8" compression connectors. 20" (500 mm) long flexible stainless steel drain cable is pre-assembled to faucet body. Metal Speed Connect® drain body with 1-1/4" (32 mm) tail piece. 1.2 gpm/4.5 L/min. maximum flow rate. Fitting can be mounted on 4" centers using optional escutcheon (2555.101P) or single hole mounting method.

PRODUCT FEATURES:

Brass Construction: Durable. Easy to clean. Ideal for prolonged contact with water.

Ceramic Disc Valve Cartridge: Assures a lifetime of smooth handle operation and drip-free performance.

Exclusive Speed Connect Metal Drain:

- Fewer parts. Installs in less time.
- No adjustments required - seals the first time, every time.
- Flexible stainless steel cable - installs effortlessly in tight spaces.

Lead Free: Faucet contains ≤ 0.25% total lead content by weighted average.

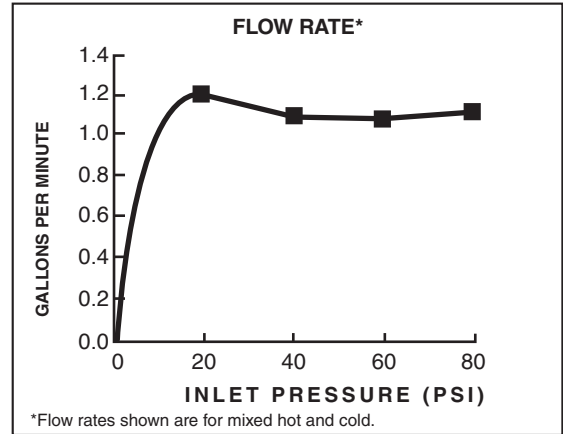
SUGGESTED SPECIFICATION

Single control lavatory faucet shall feature a brass body and metal lever handle. Fitting shall be equipped with flexible supplies with 3/8" compression connectors. Shall also feature washerless ceramic disc valve cartridge. Shall also feature a metal drain body with stainless steel cable actuation. Fitting shall be American Standard Model # 2555.101._____.

CODES AND STANDARDS

These products meet or exceed the following codes and standards:

- ANSI A117.1**
- ASME A112.18.1**
- NSF 61/Section 9 and Annex G**
- CSA B125.1**



Product Number	Description		Finish Options		
			Polished Chrome	Oil Rubbed Bronze	PVD Brushed Nickel
			002	224	295
2555.101	Town Square Single Control Monoblock. Metal Speed Connect® pop-up drain.				
2555.101P	Optional Escutcheon Plate Only (For Mounting on 4" Centers)				

Meets the American Disabilities Act Guidelines and **ANSI A117.1** Requirements for the physically challenged.

AERATOR MODIFICATIONS***	Parts Suffix**
0.5 gpm (1.9 Lpm) PCA* Spray	___F05
1.0 gpm (3.8 Lpm) PCA Aerator	___F10

*PCA — Pressure Compensating
 To modify a product, add suffix after the 4th digit (ex. 2064F05**101.002)
 ***Modified product models are **NOT** WaterSense certified.