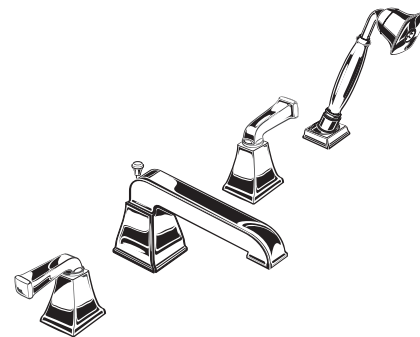


American Standard

TOWNSQUARE DECK-MOUNT BATH FILLER

Installation Instructions

2555.920
2555.921



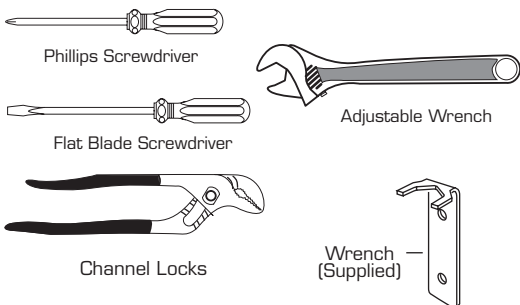
Certified to comply with ANSI A112.18.1M

M965111 REV.1.1

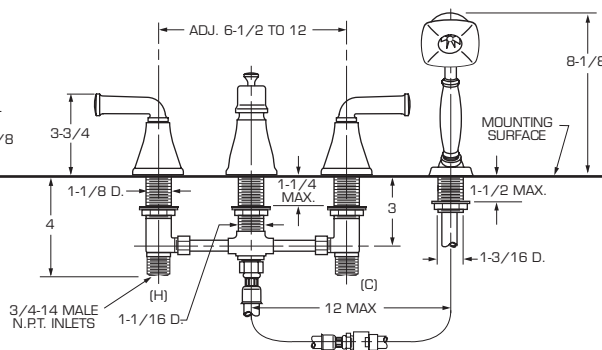
Thank you for selecting American-Standard...the benchmark of fine quality for over 100 years.

To ensure that your installation proceeds smoothly—please read these instructions carefully before you begin.

Required Tools



ROUGHING-IN DIMENSIONS

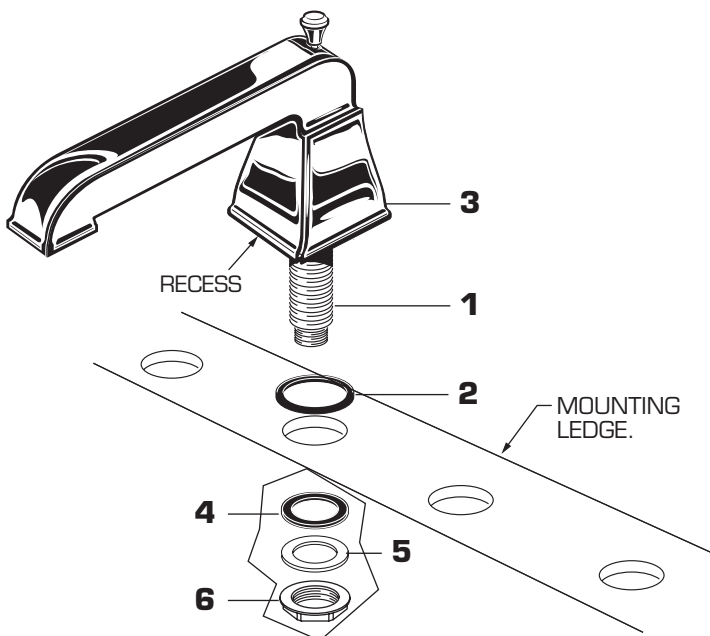


1 SPOUT ASSEMBLY

CAUTION

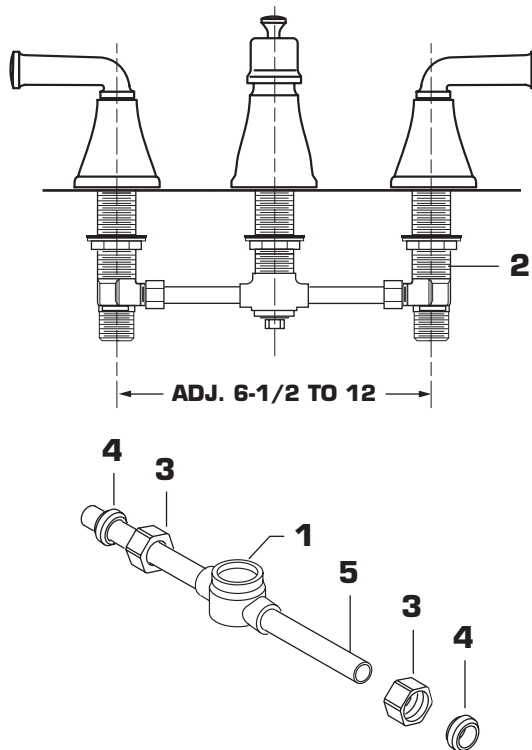
Turn off hot and cold water supplies before beginning.

- Insert SPOUT SHANK (1) through center hole of MOUNTING LEDGE. Make sure that the RUBBER RING (2) is properly seated in RECESS at base of SPOUT (3).
- Assemble RUBBER WASHER (4) and BRASS WASHER (5) onto SHANK (1). From underside of ledge secure SPOUT (3) into position with LOCKNUT (6).



2 PREPARE TUBE AND TEE ASSEMBLY

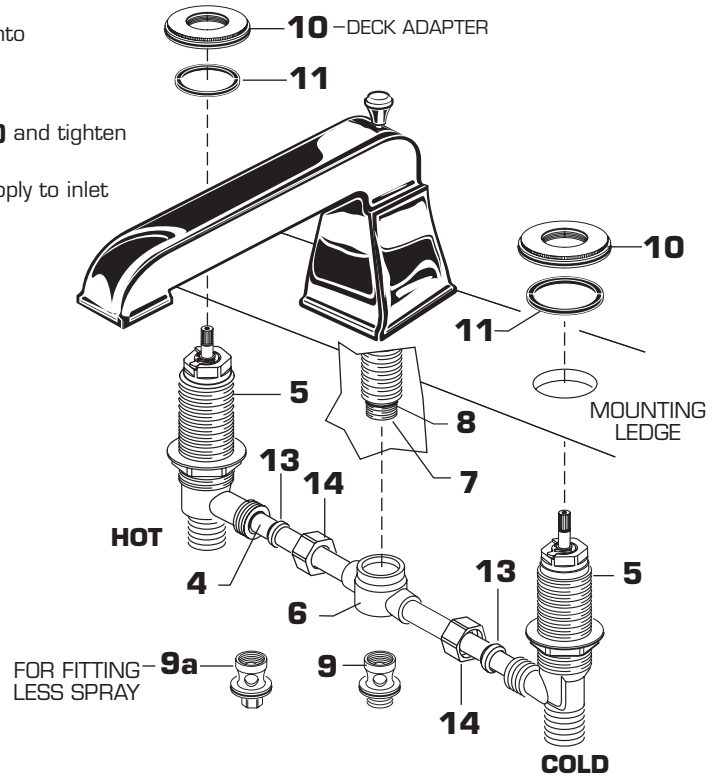
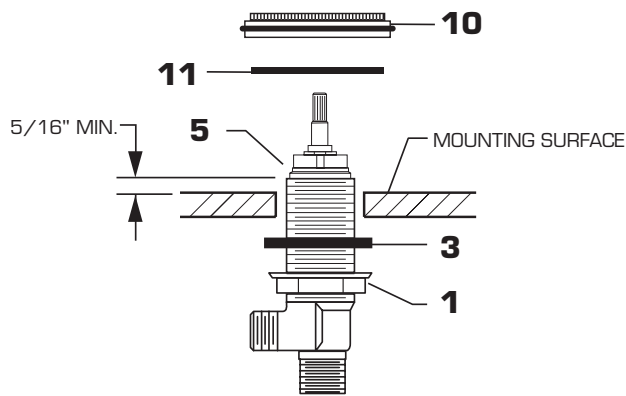
- Prepare TUBE and TEE ASSEMBLY (1) to fit center to center VALVE (2) location (between 6-1/2" and 12"). If necessary, cut and/or bend TUBING carefully. Make sure tube bend is close to the TEE (1) so that it will not effect the compression joint at the VALVE CONNECTION.
- Remove COUPLING NUT (3) and FERRULE (4) from each VALVE (2) and slide onto TUBING (5).



NOTE VALVE inlet is 3/4-inch NPT male connector.

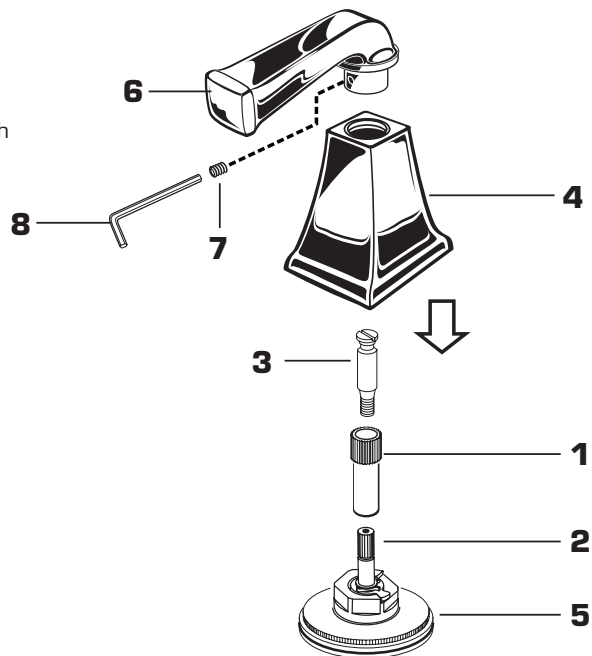
3 VALVE ASSEMBLY

- Install LOCKNUTS (1) and RUBBER WASHERS (3) onto valve shanks.
- Push TUBING (4) ends into VALVE (5) side outlets. Insert VALVES (5) into mounting holes from underside of ledge.
- Press TEE (6) onto SPOUT SHANK (7) making certain that the O-RING (8) is properly seated on SHANK (7). Push COUPLING (9 or 9a) into TEE (6) and attach to SPOUT SHANK (7) and tighten. **Note: For product with Hand Shower, COUPLING (9) is tightened using a 10mm (3/8") Hex Wrench.**
- Place RUBBER RING (11) into DECK ADAPTERS (10) and thread onto valves until snug against internal stop.
- Tighten LOCKNUT (1) to secure VALVE (5) position.
- Slide FERRULE (13) and COUPLING NUT (14) to outlet of VALVE (5) and tighten COUPLING NUT (14) firmly.
- Connect HOT water supply to inlet of left VALVE and COLD water supply to inlet of right VALVE using appropriate connector.



4 HANDLE ASSEMBLY

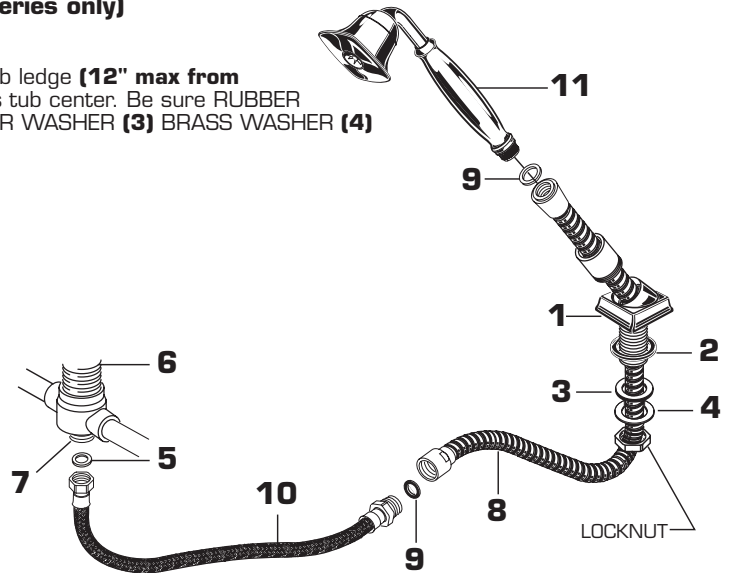
- Push ADAPTER (1) on VALVE STEM (2). Tighten STEM SCREW (3) to secure ADAPTER (1).
- Align HANDLE BASE (4) and push onto DECK ADAPTER (5) until flush against mounting surface.
- Find correct position of LEVER HANDLE (6) by adjusting male teeth on ADAPTER (1) to female teeth in HANDLE (6).
- Tighten SET SCREW (7) with HEX WRENCH (8) SUPPLIED.



5 HANDSHOWER INSTALLATION (Model 2555.921 series only)

- Drop SPRAY ESCUTCHEON (1) through the fourth hole of the tub ledge (12" max from SPOUT center) with SPRAY ESCUTCHEON (1) directed towards tub center. Be sure RUBBER RING (2) is properly seated in ESCUTCHEON (1). Install RUBBER WASHER (3) BRASS WASHER (4) and LOCKNUT from underside of ledge.
- Secure SPRAY ESCUTCHEON (1) by tightening LOCKNUT.
- Add SEAL WASHER (5) and connect HOSE (10) to outlet nipple at the bottom of COUPLING (7). Tighten firmly.
- Slip SHOWER HOSE (8) with COUPLING NUT through SPRAY ESCUTCHEON (1). Install SEAL (9) and connect both HOSES (8) and (10), Connect HAND SHOWER (11) to SPRAY HOSE (8).

NOTE When not in use, HANDSHOWER should be seated in the HOLDER.



6 TEST INSTALLED FAUCET

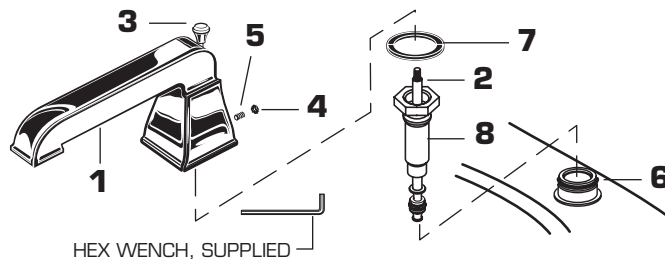
- Turn VALVES "off" and attach handles.
- With handles in "off" position, turn on water supplies and check all connections for leaks.
- Operate both handles and flush water lines thoroughly.
- Check SPOUT mounting for leaks.

CAUTION

The flow rate of this Tub Filler exceeds 20 gallons/minute at higher water pressure. Do not fill bathtub unattended.

- Lift HANDSHOWER from HOLDER, direct spray into tub, lift TRANSFER KNOB to check HANDSHOWER and HOSES for leaks.
- Turn handles "off."

7 Before the bathroom is completely finished, you may want to remove spout, handshower, and handles.



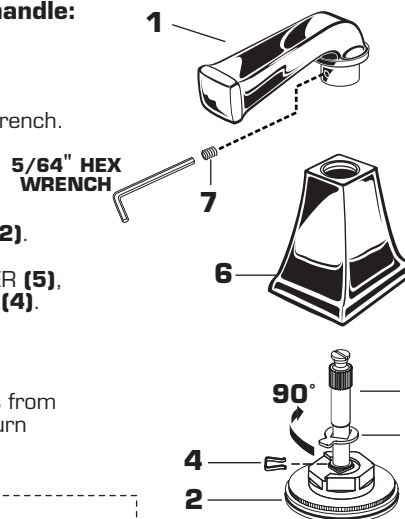
HEX WENCH, SUPPLIED

- To remove handles, reverse steps in section 4.
- To remove SPOUT (1), proceed as follows:
 - Lift TRANSFER ROD (2) and unscrew KNOB (3). (Model 2555.921 only).
 - Remove PLUG BUTTON (4) and remove SET SCREW (5) using 5mm hex wrench supplied.
 - Lift SPOUT (1) off SHANK (6) carefully and remove RUBBER RING (7).
 - Unscrew SHANK SLEEVE (8) and lift TRANSFER ROD (2) from SHANK (6). (Model 2555.921 only).
 - Reverse sequence to re-install SPOUT (1). Be sure RUBBER RING (7) is properly seated in its recess at the base of the SPOUT (1). Make certain SET SCREW (5) is properly aligned and tight so that SPOUT (1) is locked in place.

8 SERVICE To change direction of handle:

- Turn valve to OFF position
- Remove SET SCREW (7) with 5/64" Hex Wrench.
- Pull HANDLE (1) "UP" firmly to release from ADAPTER (3).
- Pull HANDLE BASE (6) off DECK ADAPTER (2).
- Remove SPRING CLIP (4). Lift STOP WASHER (5), turn 90° and replace. Replace SPRING CLIP (4).
- Re-install HANDLE ASSEMBLY.

If spout drips, operate handles several times from OFF to ON position. Do not force - handles turn only 90°.



9 CARE INSTRUCTIONS:

DO: SIMPLY RINSE THE PRODUCT CLEAN WITH CLEAR WATER. DRY WITH A SOFT COTTON FLANNEL CLOTH.

DO NOT: DO NOT CLEAN THE PRODUCT WITH SOAPS, ACID, POLISH, ABRASIVES, HARSH CLEANERS, OR A CLOTH WITH A COARSE SURFACE.

HOT LINE FOR HELP

For toll-free information and answers to your questions, call:
1-800-442-1902
Weekdays 8:00 a.m. to 6:00 p.m. EST
IN CANADA 1-800-387-0369 (TORONTO 1-905-306-1093)
Weekdays 8:00 a.m. to 7:00 p.m. EST
IN MEXICO 01-800-839-1200



Product names listed herein are trademarks of American Standard Inc.
© AS America, Inc. 2011

M965111 REV.1.1