

### EVOLUTION™ 5' x 32" AIR BATH

Comfortable bathing design with form-fitted backrest and molded-in armrests

#### 2422V.068C Air Bath

- EverClean® System
- Acrylic with fiberglass reinforcement
- Deep Soak Overflow Drain for maximum water depth
- Can be drop-in or undermount installed
- Full body massage with 24 strategically placed air jets
- Variable speed air blower with heater
- Automatic purge with timer
- Chrome jets (optional color-matched jet caps)

#### Nominal Dimensions:

60" x 32" x 21-1/2"  
(1524 x 813 x 546mm)

#### Compliance Certifications - Meets or Exceeds the Following Specifications:

- Underwriters Laboratories - Hydromassage Bathtubs UL 1795
- ASME A112.19.7M for Air Bath Appliances
- ANSI Z124.1 for Plastic Bathtubs
- ASTM E162 for Flammability
- NFPA 258 for Smoke Density

American Standard whirlpools with EverClean® incorporate a patented silver-ion additive right into the circulation piping to protect the pipes from mold, mildew, algae and fungus that could cause deterioration or staining of the pipes.

SEE REVERSE FOR PRODUCT DIMENSIONS  
AND SPECIFICATIONS



#### Components Required:

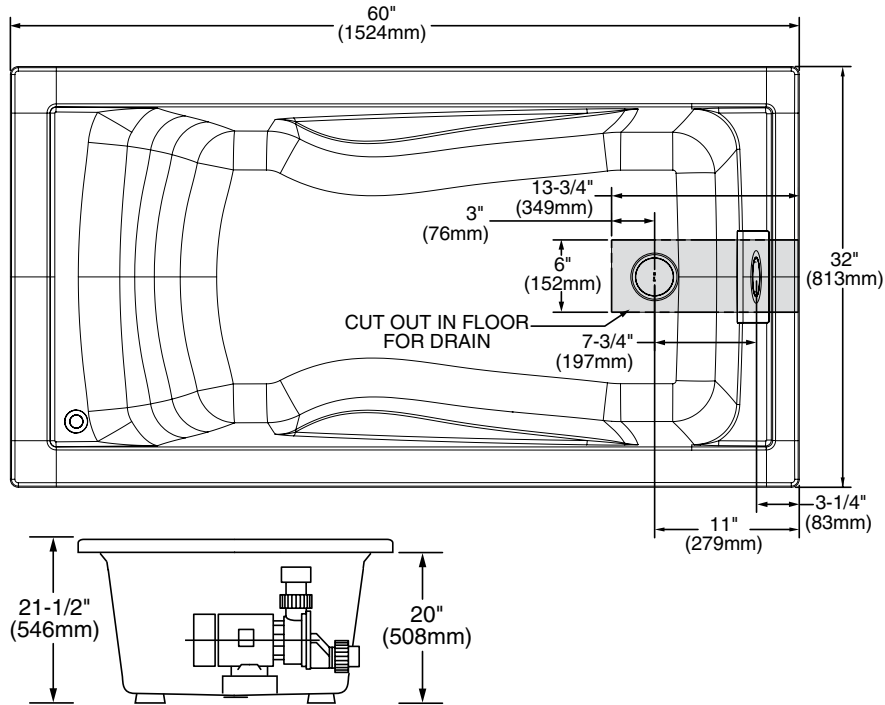
- Bath Filler\*: (specify finish)
- Bath Drain: 1599.205.XXX (specify color)

#### Custom Accessories Available:

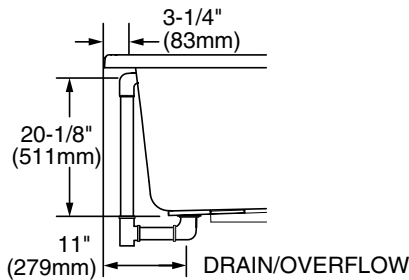
- 5 Foot Apron: 9261.019.XXX (specify color)
- Tile Bead Kit: 751755-100
- Air Bath Button Cover Set: 9810.025 (specify color)
- Air Blower Remote Mounting Kit: 754025-0071A

\* See American Standard Faucet Selector

For color/finish availability and other faucet choices, please see the Product Selector and Pricing Guide.



END VIEW



| GENERAL SPECIFICATIONS FOR 2422V AIR BATH |                                       |
|---|---------------------------------------|
| INSTALLED SIZE                            | 60 x 32 x 21-1/2 (1524 x 813 x 546mm) |
| WEIGHT                                    | 74Lbs. (34 Kgs.)                      |
| WEIGHT w/WATER                            | 690 Lbs. (313 Kgs.)                   |
| GAL. TO OVERFLOW                          | 74 Gal. (280 L)                       |
| BATHING WELL AT SUMP                      | 41-1/4 x 22-1/4 In. (1048 x 565mm)    |
| BATHING WELL AT RIM                       | 52-1/4 x 26 In. (1327 x 660mm)        |
| WATER DEPTH TO OVERFLOW                   | 18-1/2 In. (470mm)                    |
| FLOOR LOADING (PROJECTED AREA)            | 52 Lbs./Sq.Ft. (253 Kgs./Sq.m)        |
| AIR BATH ELECTRICAL SPECIFICATIONS        |                                       |
| BLOWER                                    | 1.0 HP, 10 AMPS, 120V.                |

DIMENSIONS OF FIXTURES ARE NOMINAL AND MAY VARY WITHIN THE RANGE OF TOLERANCES ESTABLISHED BY ANSI STANDARDS Z124.1 AND A112.19.7.

**NOTES:**

BATH CAN BE INSTALLED EITHER ABOVE OR BELOW FLOOR LINE AS PIER, ISLAND, OR PENINSULA TYPE INSTALLATION. SUPPORT OF BATH BY SUMP BEDDING. SUPPORT AND ENCLOSING MATERIAL BY OTHERS.

■ REFER TO INSTALLATION INSTRUCTIONS SUPPLIED WITH AIR BATH FOR ADDITIONAL INFORMATION.

FITTINGS NOT INCLUDED AND MUST BE ORDERED SEPARATELY.

PROVIDE SUITABLE REINFORCEMENT FOR ALL SUPPORTS.

**IMPORTANT:** Dimensions of fixtures are nominal and may vary within the range of tolerances established by ANSI Standard Z124.1. These measurements are subject to change or cancellation. No responsibility is assumed for use of superseded or voided leaflet.