



AGA TOTAL CONTROL

Model No. - TC3

Installation Guide

REMEMBER: when replacing a part on this appliance, use only replacement parts that you can be assured conform to the safety and performance specification that we require. Do not use reconditioned or copy parts that have not been clearly authorised by AGA.

**PLEASE READ THESE INSTRUCTIONS BEFORE COMMENCING SITE SURVEY
OR INSTALLING THIS APPLIANCE.**

IMPORTANT : SAVE INSTRUCTIONS FOR THE LOCAL INSPECTORS USE
CUSTOMER: KEEP THESE INSTRUCTIONS FOR FUTURE REFERENCE



Intertek
3139291







For use in USA/Canada

02/16 EINS 516294

CONTENTS

SECTION	PAGE
PRODUCT SAFETY	3
GENERAL NOTES	4
DELIVERY REQUIREMENTS	4
GENERAL INSTALLATION REQUIREMENTS	4
APPLIANCE DIMENSIONS - AGA TC3	5
INSTALLATION	6 - 7
CONNECTING TO THE POWER SUPPLY - AGA TC3	8
MAINS SUPPLY LOCATION - AGA TC3	9
AGA TC3 HANDRAIL CONNECTION	10 - 11
MAINS CORD AND WIRING DIAGRAM - AGA TC3	12
INSTRUCTIONS	13

PRODUCT SAFETY

MEANING/DESCRIPTION	SYMBOL	SIGNIFICATION/DESCRIPTION
<p>WARNING/CAUTION</p> <p>An appropriate safety instruction should be followed or caution to a potential hazard exists.</p>		<p>AVERTISSEMENT</p> <p>Une consigne de sécurité appropriée doivent être suivies ou garde d'un danger potentiel exists.</p>
<p>DANGEROUS VOLTAGE</p> <p>To indicate hazards arising from dangerous voltages.</p>		<p>TENSION DANGEREUSE</p> <p>Pour indiquer les dangers résultant des tensions dangereuses.</p>
<p>PROTECTIVE EARTH (GROUND)</p> <p>To identify any terminal which is intended for connection to an external conductor for protection against electric shock in case of a fault, or the terminal of a protective earth (ground) electrode.</p>		<p>TERRE DE PROTECTION</p> <p>Pour marquer bornes destinées à être raccordées à un conducteur de protection extérieur contre les chocs électiques en cas de défaut d'isolement, ou pour marquer la borne de la terre de protection.</p>
<p>HEAVY</p> <p>This product is heavy and reference should be made to the safety instructions for provisions of lifting and moving.</p>		<p>LOURD</p> <p>Ce produit est lourd et doit être fait référence aux consignes de sécurité relatives aux dispositions de soulever et déplacer.</p>
<p>DISCONNECT MAINS SUPPLY</p> <p>Disconnect incoming supply before inspection or maintenance.</p>		<p>APPAREIL À LASER DE CLASSE 2</p> <p>Alimentation d'entrée Débrancher avant inspection ou d'entretien.</p>
<p>REFER TO MANUAL</p> <p>Refer to relevant instructions detailed within the product manual.</p>		<p>ATTENTION, SURFACE TRÈS CHAUDE</p> <p>Reportez-vous aux instructions applicables, indiquées dans le manuel du produit.</p>

GENERAL NOTES

NOTE: THESE INSTALLATION INSTRUCTIONS SHOULD BE LEFT WITH THE RANGE AND THE USER TO RETAIN FOR FUTURE REFERENCE.

Before installation of an AGA can be made, the site is inspected for suitability by an authorized AGA distributor and corrected where necessary to conform with local or regional electrical codes.

USA

Model Number AGA TC3
FCC ID: A2M-AGA-TC3
FCC ID: A2M-AGA-TC3TEK

This device complies with part 15 of the FCC Rules. Operation is subject to the following two conditions:

- (1) This device may not cause harmful interference, and (2) this device must accept any interference received, including interference that may cause undesired operation.

CANADA

Model Number AGA TC3
IC: 10181A-AGATC3TEK

Model Number AE4M280526
IC: 10181A-AGATC3

This device complies with Industry Canada licence-exempt RSS standard(s). Operation is subject to the following two conditions: (1) this device may not cause interference, and (2) this device must accept any interference, including interference that may cause undesired operation of the device.

DELIVERY REQUIREMENTS

The AGA TC3 arrives on 1 pallet.

There must be access to the kitchen to manipulate a foot print of 39 ⁹/₁₆" (1005mm) x 29 ¹/₈" (740mm). A wooden template (skate with castor wheels) of dimensions 39 ⁹/₁₆" (1005mm) x 29 ¹/₈" 740mm could be used to check if the AGA Total Control fully built appliance is able to fit through the property grounds and doors into its installation position in the kitchen. It must also be considered that the height of the appliance is 37 ³/₄" (960mm) off pallet and 43 ¹/₄" (1100mm) on the pallet, so high level obstacles/restrictions must not be overlooked.

GENERAL INSTALLATION REQUIREMENTS

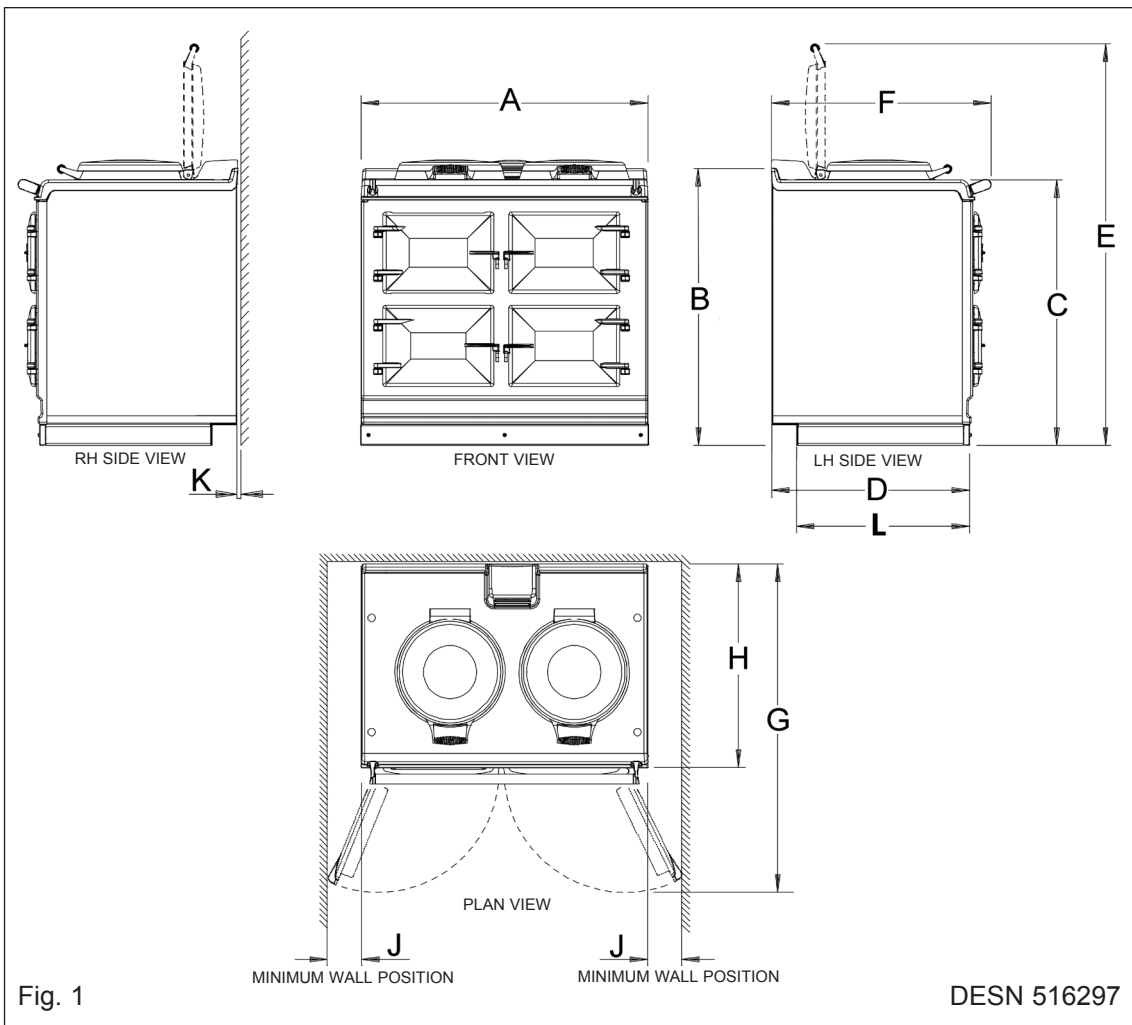
The installation of the range must be in accordance with the relevant requirements of the local Wiring and Building Regulations. It should be in accordance also with any relevant requirements of the local or stated codes.

In your own interest and that of safety to comply with the law, all appliances should be installed by an authorized AGA distributor in accordance with the relevant regulations.



CAUTION:
**THIS UNIT IS HEAVY, PROPER EQUIPMENT AND ADEQUATE
MANPOWER MUST BE USED IN MOVING THE RANGE TO
AVOID DAMAGE TO THE UNIT OR THE FLOOR**

RANGE DIMENSIONS - AGA TC3



	A	B	C	D	E	F	G	H	J	K	L
mm	987	951	913	680	1388	760	1145	698	116	10	634
ins	38 ⁷ / ₈	37 ¹ / ₂	36	26 ³ / ₄	54 ⁵ / ₈	29 ⁷ / ₈	45 ¹ / ₈	27 ¹ / ₂	4 ⁹ / ₁₆	³ / ₈	25

Cooker Dimensions

When surveying for a cooker installation the actual clearance required for the 'body' of the appliance should be increased by 3/8" (10mm) beyond the figures quoted above. This allows safe margin to take into account the natural dimensional variations found in major castings. In particular the width across the appliance recess could be critical.

APPLIANCE WEIGHT (Excludes packaging)

Model: AGA Total Control (TC3) - 816 lbs (370 Kg)

DATA PLATE LOCATED BEHIND BOTTOM PLINTH.

INSTALLATION

Range Base or Hearth

It is essential that the base or hearth on which the range stands should be level and be capable of supporting the total weight of the range. The base of the built-in AGA plinth must be level and sit above finished floor height for service access.

Plinth

The front plinth cover is removable and must not be obstructed by flooring or tiles. If necessary the range must be raised by the thickness of the tiles to ensure the plinth can be removed.

Minimum Clearance to Combustibles

A gap of at least $\frac{1}{2}$ " must be observed between the rear of the top plate, and the wall behind the appliance. If the rear wall is of combustible material there must be a gap of 1" (25mm).

Side Clearances

A $\frac{1}{8}$ " (3mm) gap is required each side between the range top plate and adjoining work surfaces that may be fitted, this is to allow for the safe removal of the top plate should this be required at a later date.

Where ranges are fitted against side walls a $4 \frac{9}{16}$ " (116mm) side clearance is required on the right and left hand side for oven doors access.

If the AGA is to be installed in a brick recess, then the minimum clearance should be increased by at least $\frac{3}{8}$ " (10mm), to allow for the walls not being square.

In addition a minimum clearance of $39 \frac{3}{8}$ " (1000mm) must be available at the front of the range to enable the range to be serviced.

Tiling

When the range is to stand in a recess or against a wall which is to be tiled, under no circumstances should the tiles overlap the range top plate, access to remove the hotplate must be allowed for servicing at a later date.

Overhead Cabinets

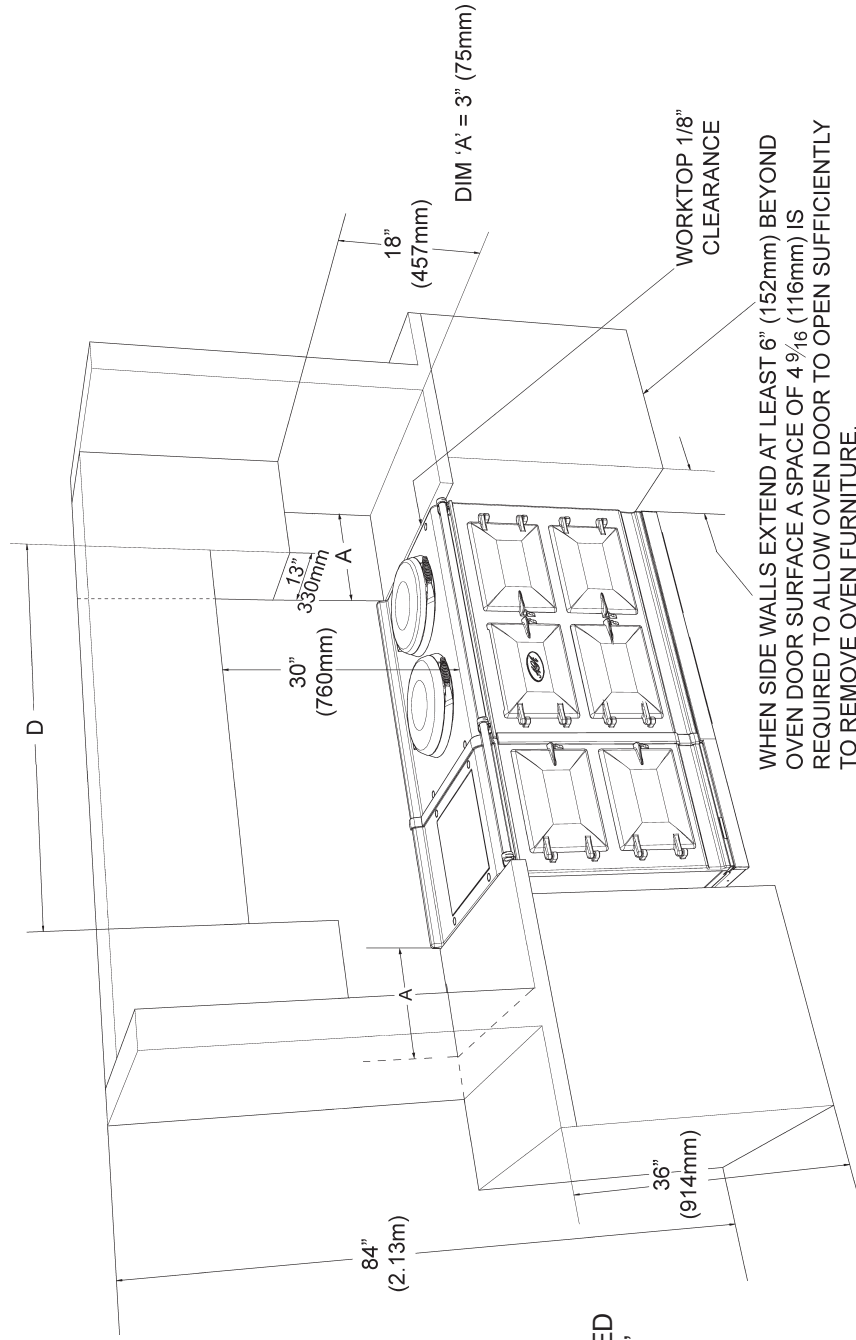
To eliminate the risk of burns or fires by reaching over hot surface units, cabinet storage space located above the surface units should be avoided.

Range Hoods

It is recommended that this AGA is fitted with a range hood. The AGA venting system is located on top of the AGA between the two hotplates, and is designed for venting the moisture from the ovens. The range hood should be positioned not less than the minimum height as recommended by the manufacturer, from the top of the AGA.

Installation Clearance of Combustible Cabinets Adjacent to the Range

1/2" CLEARANCE TO THE BACK OF THE RANGE MAY BE OBTAINED WHEN INSTALLING THE APPLIANCE AGAINST A NON-COMBUSTIBLE WALL OR IF THE WALL BEHIND THE RANGE IS DEEMED COMBUSTIBLE THEN THE MINIMUM SPACING FROM THE BACK OF THE RANGE TO THE NEAREST COMBUSTIBLE WALL IS 1".



NOTE: ANY OVERHEAD FITTED CABINETS MUST NOT EXCEED 13" PROJECTED DEPTH ABOVE THE RANGE. DIM 'D' TO BE NOT LESS THAN THE NORMAL WIDTH OF THE APPLIANCE.

Fig. 2

CONNECTION TO THE POWER SUPPLY - AGA TC3



Electric Shock Hazard



Rating plate is located behind removable plinth, see Fig. 3, Page 9.

If the supply cord is damaged, it must be replaced by the manufacturer, its service agent or similarly qualified person to avoid a hazard.

Electrical Grounding is required on this appliance.

DO NOT connect to the electrical power supply until the appliance is permanently grounded.

Disconnect the power to the junction box before making the electrical connection.

This appliance must be connected to a grounded metallic permanent supply or a grounding connector should be connected to the grounding terminal or wire lead on the appliance.

Failure to follow these instructions could result in death or serious injury.

This range must be supplied with a 240V, 60Hz power supply and connected to an individual, properly grounded branch circuit protected by a circuit breaker or time delay fuse. At 240V, it has a maximum load of 36 amps. Electric hook-up must be done by a licensed electrician. This unit must be installed according to local codes, or in the absence of local codes, the National Electrical Code for the country of installation.

Wire sizes (**COPPER WIRE ONLY**) and **connections** must conform with the rating of the range (36-amperes).

- Product installation requires a separate (not shared) 240v/40 amp circuit protected by an appropriate branch circuit supply.
- A time-delay fuse or circuit breaker is required.
- The service cord provided on your product is fitted with a standard four (4) prong type 14-50P plug, (matching receptacle 14-50R).
- The wiring diagram is located on Page 11.

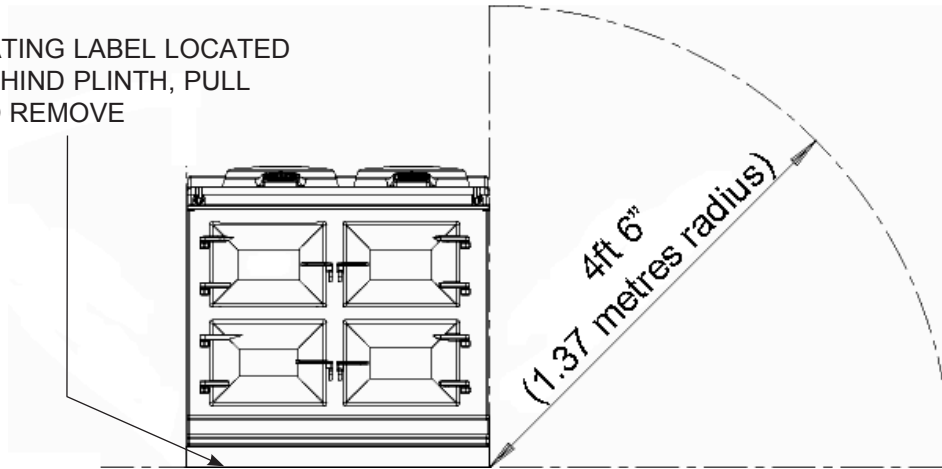
The method of connection to the mains electricity supply must facilitate complete electrical isolation of the range.

The mains connection and isolation should not be positioned above the range and must be positioned within the area defined in Fig. 3, Page 9.

THIS Range MUST BE COMPLETELY ISOLATED FROM THE ELECTRICITY SUPPLY BEFORE SERVICING. THE Range IS DESIGNED FOR THE VOLTAGE STATED ON THE RATING PLATE, WHICH IS SITUATED BEHIND THE PLINTH COVER.

MAINS SUPPLY LOCATION - AGA TC3

RATING LABEL LOCATED
BEHIND PLINTH, PULL
TO REMOVE



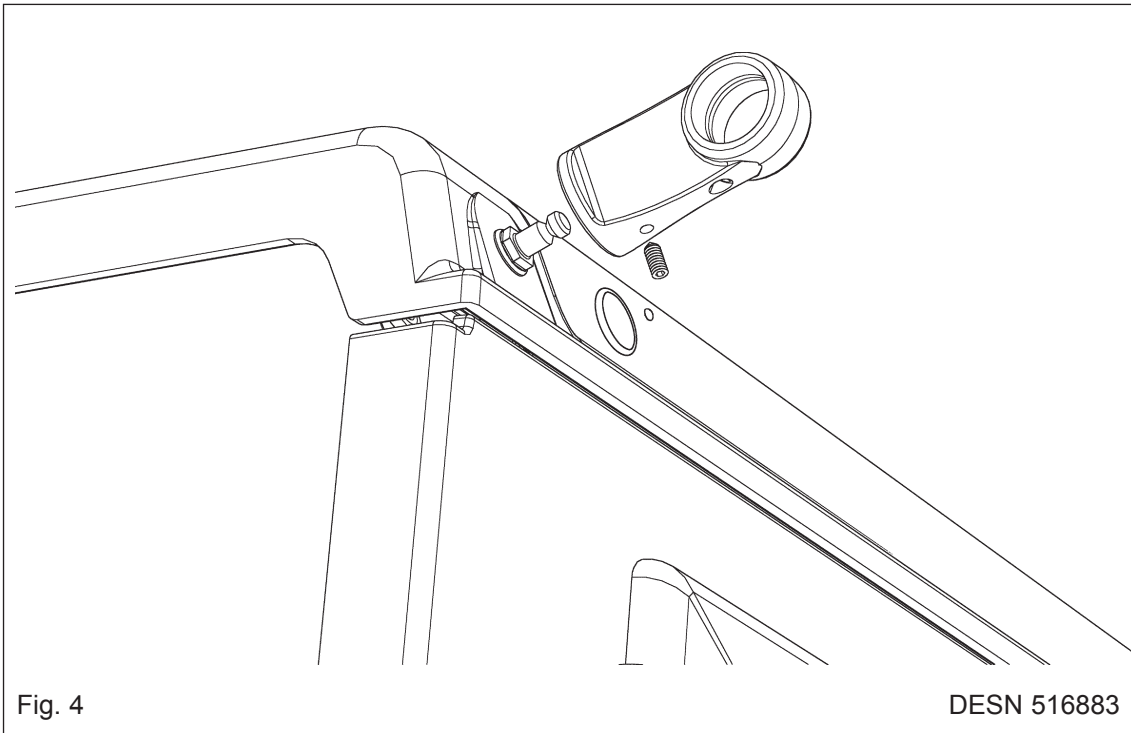
THE MAINS SUPPLY CONNECTION AND ISOLATION POINT MUST BE WITHIN
THE ZONE SHOWN

Fig. 3

DESN 516295

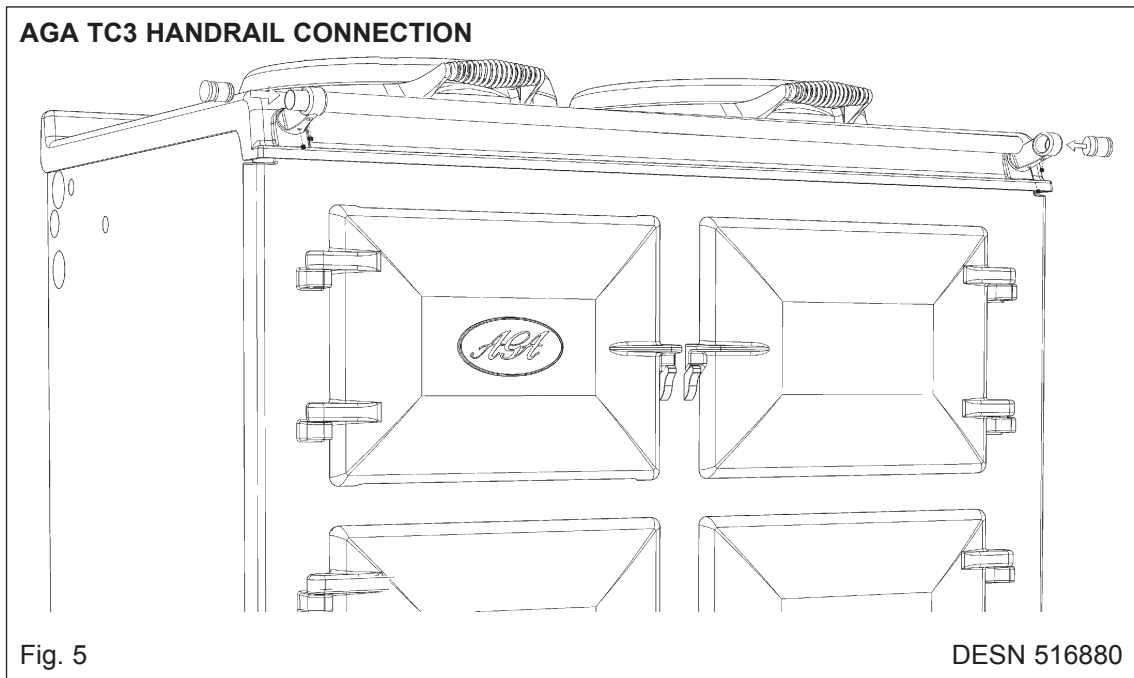
AGA TC3 HANDRAIL CONNECTION

1. Fit the handrail bracket over the fixing stud located on the top plate. Lock into position by tightening the grub screw nearest the appliance. (See Fig. 4).



2. Next the handrail, endcaps and handrail require assembly.

Slide the handrail through the handrail brackets.



3. Once the handrail assembly is located squarely, lock the handrail in position by winding in the grub screws on the underside of each handrail bracket.
4. Once the handrails are locked in position, fit the handrail endcaps. The endcaps should be carefully pushed into place until they sit flush with the outside face of each bracket (a light smear of lubricant such as, washing up liquid on the end cap 'O' rings may ease fitment).
5. Finally, fit the plinth fascia to the magnets on the front of the plinth. Make sure that the plinth fascia is centrally located and does not overhang the range.

Commission the AGA Total Control, as stated in the relevant Installation Instructions and carry out functional test on each of the features of the AGA Total Control.

MAINS CORD AND WIRING DIAGRAM - AGA TC3

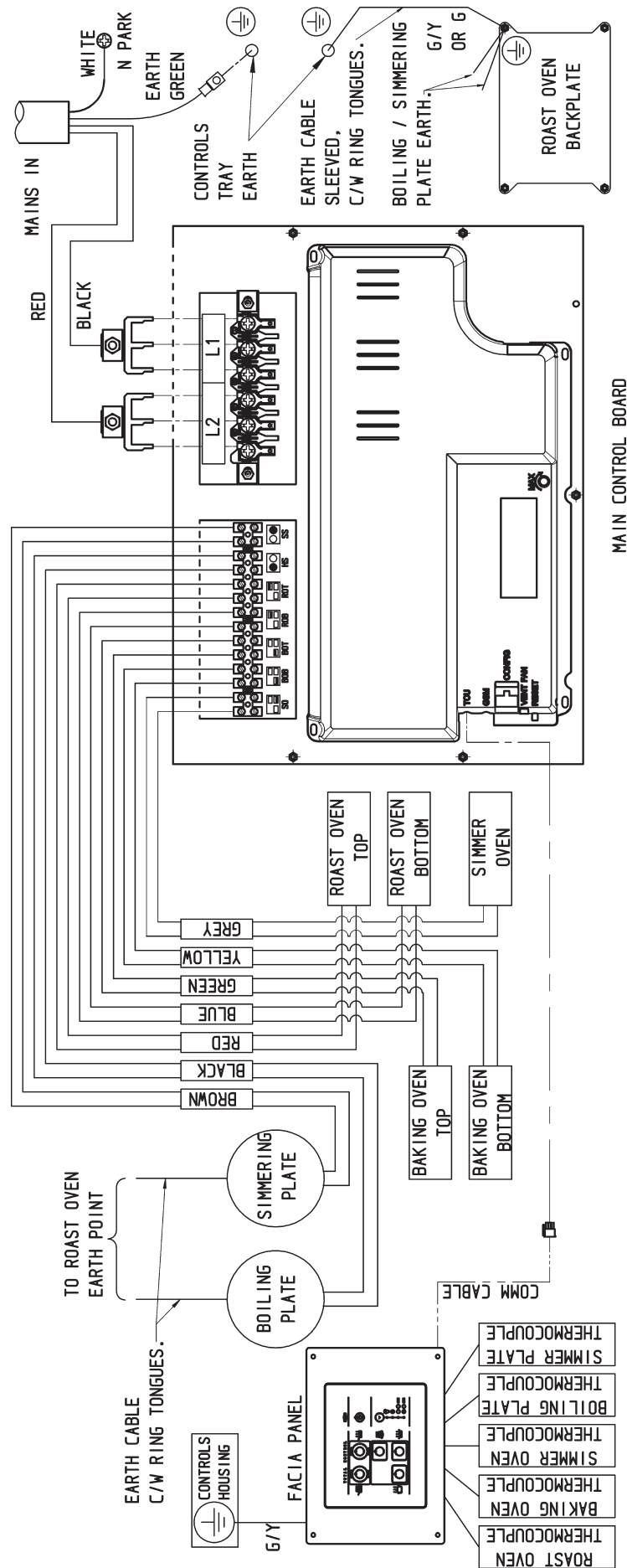


Fig. 6

INSTRUCTIONS

Attach warning hanger (EGLL516660) located in literature pack, to AGA Total Control handrail when installation is complete. Advise customer to remove and read warning label.

Hand this Installation Guide to the user for retention and instruct in the safe operation of the range.

Also advise the user that, for continued efficient and safe operation of the range, servicing is carried out at intervals recommended by the AGA distributor.

**For further advice or information contact
your local AGA Specialist**

With AGA Marvel's policy of continuous product improvement, the Company reserves the right to change specifications and make modifications to the appliance described and illustrated at any time.



Supplied by

AGA Marvel
1260 E. Van Deirse St.
Greenville, MI 48838

Business (616) 754-5601
Fax (616) 754-9690
Toll Free Telephone 800-223-3900

www.agamarvel.com