

# DV50K7500EV

SAMSUNG

## Samsung Front-Load Electric Dryer

7.5 cu. ft. Capacity DOE



### Signature Features

#### 2016 ENERGY STAR® Certified

- Meets the strict 2016 energy efficiency specifications and standards.

#### Multi-Steam Technology

- Steam away wrinkles, odors, bacteria and static.

#### Vent Sensor

- Detects duct blockages and reminds you to clean your vent.

### Available Colors



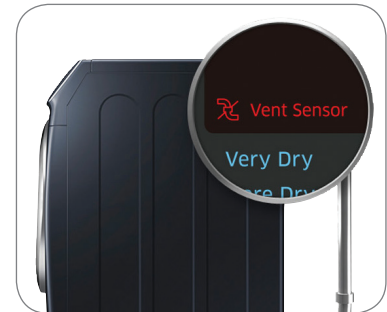
Black Stainless Steel  
(shown)



White



Multi-Steam Technology



Vent Sensor

### Features

- 2016 ENERGY STAR® Certified
- Multi-Steam Technology
- Vent Sensor
- Stainless Steel Drum
- Eco Dry Technology
- Smart Home Ready
- Smart Care
- Sensor Dry
- 14 Preset Dry Cycles
- 13 Options
- 5 Temperature Settings
- 4-Way Venting
- Dual Heaters
- Dryer Rack
- Dryer Drum Light
- Reversible See-Through Door

### Convenience

- Child Lock
- My Cycle Option
- Filter Check Indicator

### Rating



ENERGY STAR®-rated  
607 kWh/yr

# DV50K7500EV

**SAMSUNG**

## Samsung Front-Load Electric Dryer

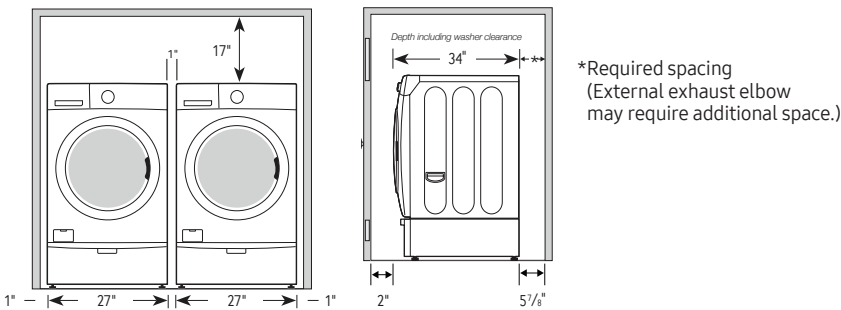
7.5 cu. ft. Capacity DOE

### Installation Specifications

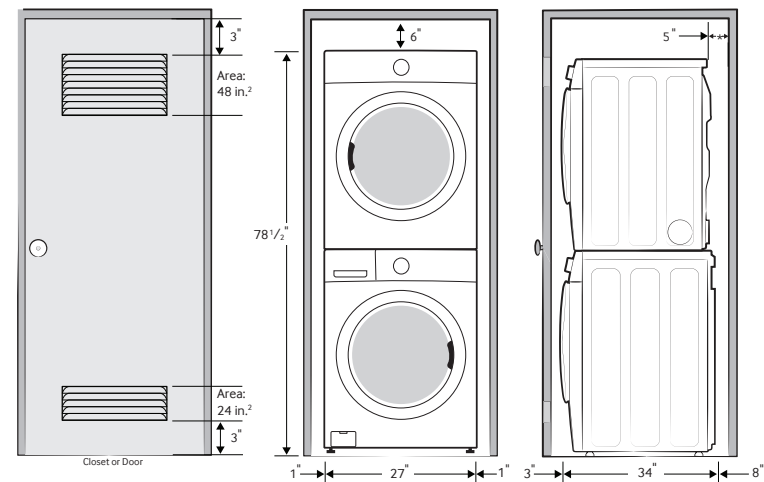
If the washer and dryer are installed together or the dryer alone, the closet front must have two unobstructed air openings for a combined minimum total area of 72-inch<sup>2</sup> (see stacked build below). Your washer alone does not require a specific air opening.

#### 1. Alcove or closet installation

Minimum Clearance for Closet and Alcove Installations:

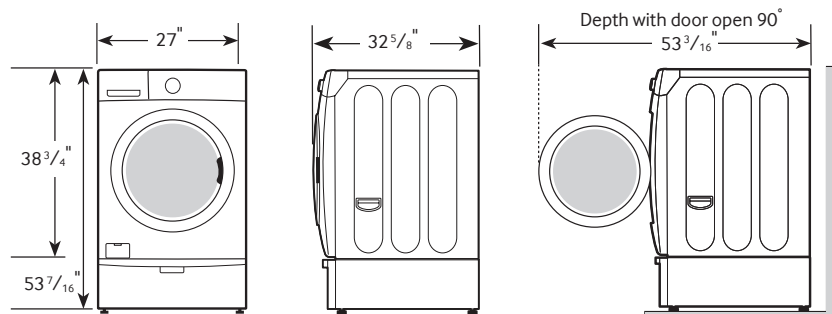


#### 2. With stacked washer and dryer



### Dimensions

Required Dimensions for Installation with Pedestal:



#### 4-Way Venting

##### 14 Preset Dry Cycles:

Refresh, Wrinkle Away, Steam Sanitize, Eco Normal, Normal, Heavy Duty, Permanent Press, Active Wear, Bedding, Delicates, Wool, Time Dry, Air Fluff, Quick Dry

##### 13 Options:

Mixed Load Bell, Wrinkle Prevent, Anti-Static, My Cycle, Rack Dry, Adjust Time (Up), Adjust Time (Down), Eco Dry, Sound, Child Lock, Smart Control, Smart Care, Drum Light

##### 5 Temperature Settings:

High, Medium, Medium Low, Low, Extra Low

##### 5 Dry Levels:

Very Dry, More Dry, Normal Dry, Less Dry, Damp Dry

#### Warranty

One (1) Year Parts and Labor

#### Product Dimensions & Weight (WxHxD)

Dimensions: 27" x 38<sup>3</sup>/<sub>4</sub>" x 32<sup>5</sup>/<sub>8</sub>"

Weight: 126 lbs

#### Shipping Dimensions & Weight (WxHxD)

Dimensions: 29<sup>3</sup>/<sub>8</sub>" x 42<sup>3</sup>/<sub>8</sub>" x 34<sup>11</sup>/<sub>16</sub>"

Weight: 134 lbs

#### Electric

Black Stainless Steel DV50K7500EV 887276135946

White DV50K7500EW 887276135960

#### Gas

Black Stainless Steel DV50K7500GV 887276135977

White DV50K7500GW 887276135984

#### Matching Washer

Black Stainless Steel WF50K7500AV 887276135557

White WF50K7500AW 887276135564