



# Microwave

FGMV154CL F

30" Over-The-Range

## Featuring Convection



## Signature Features



### Convection Option

Bake and brown your favorite foods in your microwave oven with the touch of a button—ten preset options allow you to set the heat from 100 to 450 degrees.



### Convection & Microwave Option

Combine the speed and freshness of microwave cooking with the browning capabilities of a convection oven, all with a simple one-touch button.



### Effortless™ Reheat

Reheat almost anything with the touch of a button.



### SpaceWise® Rack

Our SpaceWise® Rack creates more room so you can cook multiple dishes at once.

## Product Dimensions

Height	16-13/32"
Width	29-7/8"
Depth	15-7/16"

## More Easy-To-Use Features

### Express-Select® Controls

Keep it fast and make it simple with Express-Select® Controls that conveniently set cooking temperature and time.

### Smudge-Proof Stainless Steel

Protective coating reduces fingerprints and smudges so it's easy to clean.

### Sensor Cooking

Microwave automatically adjusts power levels and cooking times to perfectly cook a variety of items, effortlessly.

### One-Touch Options

Our microwaves feature easy-to-use one-touch buttons so you can bake a potato, pop popcorn or add 30 seconds to the timer with the touch of a button.

### Two-Speed Ventilation

Freshen your kitchen and save space with our over-the-range microwaves that double as vent hoods.

### Extra-Large 13-1/2" Diameter Glass Turntable

Big bowls and large casserole dishes are no problem for our extra-large glass turntable.

### Convection Cooking Rack

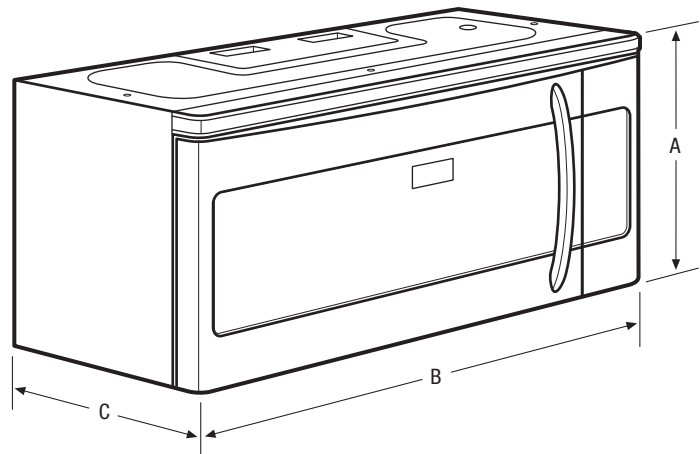
### Stainless Steel Interior

Available in:



Stainless  
(F)

Features	
Control/Timing System	Express-Select*
Exterior Door Finish	Smudge-Proof Stainless Steel
Handle Design	Stainless Steel
Microwave Capacity (Cu.Ft.)	1.5
Convection Option	Yes (100° - 450°)
Convection & Microwave Option	Yes
Watts (IEC-705 Test Procedure)	900
Interior Light	Yes
Interior Color	Stainless Steel
Turntable Diameter	13-1/2"
Turntable On/Off	
Control Lock	Yes
Clock	Yes
Touch Pad Buttons	27
Power Levels	10
SpaceWise® Rack	Yes
Convection Cooking Rack	Yes
Microwave Control Options	
Popcorn Button	Yes
Chicken Nugget Button	Yes
Baked Potato Button	Yes
Sensor Reheat Options	3
Snack Button	Yes
Beverage	Yes
Melt & Soften Options	
Auto Reheat Options	3
Snack Menu Options	5
Auto Cook Options	Yes
Auto Defrost Options	Yes
Multi-Stage Cooking Option	
Keep Warm	
Add-30-Seconds	Yes
Sensor Cooking Options	4
Vegetable Cook Options	2
Delay Start	Yes
User Preferences	Yes
Ventilation System	
Ducted/Ductless Installation Option	Yes
Exhaust Fan (CFM)	2-Speed 170/300
Cooktop Light	Yes
Auto-Start Heat Sensor	Yes
Dishwasher-Safe Vent Filter (Ductless Installation)	Yes
Power Ratings	
Frequency (MHz)	2,450
Watts @ 120 Volts	1,640
Amps @ 120 Volts	15
Optional Accessories	
36" Stainless Steel Filler Panel Kit	PN# MWFILKTSS
Specifications	
Oven Interior (HxWxD)	8-15/16" x 20-1/4" x 13-15/16"
Power Supply Connection Location	Upper
Voltage Rating	120V/60Hz/15A
Connected Load (kW Rating) @ 120 Volts <sup>1</sup>	1.64
Minimum Circuit Required (Amps)	15
Shipping Weight (Approx.)	69 Lbs.



NOTE: For planning purposes only. Always consult local and national electric codes. Refer to Product Installation Guide for detailed installation instructions on the web at [frigidaire.com](http://frigidaire.com).



Product Dimensions	
A - Height	16-13/32"
B - Width	29-7/8"
C - Depth	15-7/16"

Cutout Dimensions	
Height (Min. from floor to top of unit)	66"
Width (Min.)	30"
Depth (Min.)	12"
Depth (Max.)	13"

<sup>1</sup>For use on adequately wired 120V, dedicated circuit having 2-wire service with a separate ground wire. Appliance must be grounded for safe operation.

Accessories information available on the web at [frigidaire.com](http://frigidaire.com)

**FRIGIDAIRE**

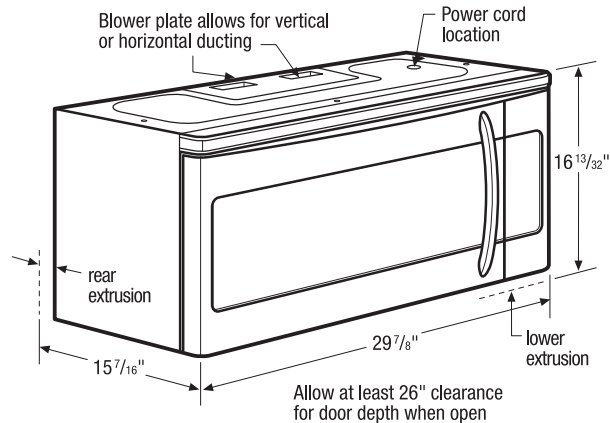
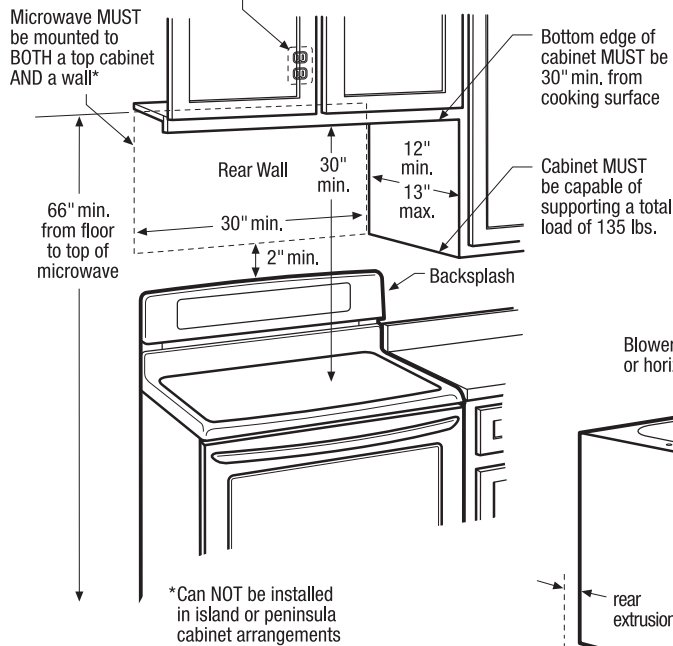
USA • 10200 David Taylor Drive • Charlotte, NC 28262 • 1-800-FRIGIDAIRE • [frigidaire.com](http://frigidaire.com)  
CANADA • 5855 Terry Fox Way • Mississauga, ON L5V 3E4 • 1-800-265-8352 • [frigidaire.ca](http://frigidaire.ca)

FGMV154CL 08/12

© 2012 Electrolux Home Products, Inc.

Specifications subject to change.

Locate 120V/60Hz grounded outlet inside upper cabinet



### Microwave Specifications

- Product Shipping Weight (approx.) - 69 Lbs.
- Voltage Rating - 120V/60 Hz/15 Amps
- Connected Load (kW Rating) @ 120 Volts = 1.64 kW (For use on adequately wired 120V, dedicated circuit having 2-wire service with a separate ground wire. Appliance must be grounded for safe operation.)
- Amps @ 120 Volts = 15 Amps
- Always consult local and national electric codes.
- Grounded outlet should be located in cabinet above, with hole in base to route power cord. Carefully follow top template instructions for power cord clearance when installing beneath smooth, flat cabinets.
- Microwave's exhaust ventilation system is preset to recirculate air inside with no ducting system required. Exhausting air outside is optional, using either vertical or horizontal ducting system. (Refer to Ducted Option Specifications for outside ventilation.)
- For safe and proper installation, microwave MUST be mounted to BOTH a top cabinet AND a wall, and connected to at least one wall stud. Can NOT be installed in island or peninsula cabinet arrangements.
- Cabinet bottom MUST be level to insure proper installation.
- Cabinet MUST be capable of supporting a total load of 135 lbs.
- Filler blocks recommended for installation when cabinet front hangs below recessed bottom shelf.
- Minimum distance of 30" required from cooking surface to bottom edge of top cabinet.
- Minimum distance of 66" required from floor to top of microwave.
- Opening between cabinets MUST be 30" wide and free of obstructions. For openings up to 36" wide, order optional 36" Filler Panel Kit to fill in gap between unit and cabinets.
- Allow 26" minimum clearance for 90° door swing.

### Ducted Option Specifications

- For outside ventilation.
- Exhaust duct adapter will be needed for outside ventilation, to mate with standard 3-1/4" x 10" rectangular duct. If round duct required, rectangular-to-round transition adapter will be needed with no less than 6" diameter.
- For most efficient airflow exhaust, use a straight run or as few elbows as possible with a maximum duct length of 3-1/4" x 10" rectangular or 6" diameter round duct, not to exceed 120 equivalent feet.
- For horizontal installation, be sure to allow enough space between wall studs to accommodate exhaust.
- Refer to installation instructions on web for detailed duct preparation and converting exhaust vent blower system for exterior exhaust ventilation.

**Note:** For planning purposes only. Refer to Product Installation Guide on the web at [frigidaire.com](http://frigidaire.com) for detailed instructions.

### Optional Accessories

- Stainless Steel Filler Panel Kit - (PN# MWFILKTSS)



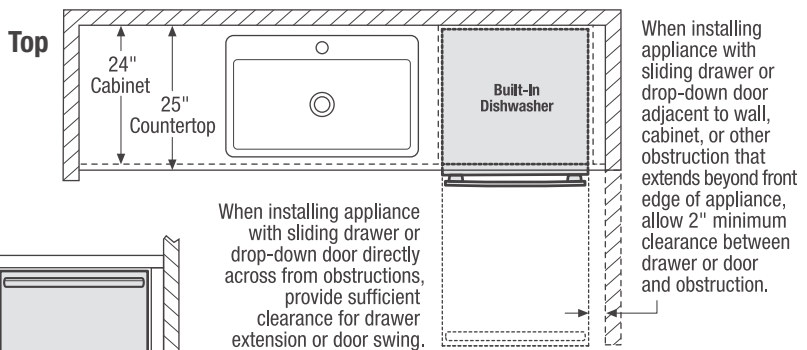


Use these dimensions and clearance instructions for planning purposes only. For detailed installation instructions, refer to installation guide, packed with product, or on the web at frigidaire.com.



\*When installing French door refrigerator adjacent to wall, cabinet or another appliance that extends beyond front edge of unit, 20" minimum clearance recommended to allow for optimum 120° to 180° door swing, providing complete drawer/crisper access and removal. (Absolute 4-1/2" minimum clearance will ONLY allow for 90° door swing which will provide limited drawer/crisper access with restricted removal.)

When installing appliance with sliding drawer, swinging or drop-down door directly across from obstructions, provide sufficient clearance for drawer extension or door swings.



When installing appliance with sliding drawer or drop-down door directly across from obstructions, provide sufficient clearance for drawer extension or door swing.

Use these dimensions and clearance instructions for planning purposes only. For detailed installation instructions, refer to installation guide, packed with product, or on the web at frigidaire.com.

