

GFD49ERPK/ERSK

GE Appliances 8.3 cu. ft. capacity RightHeight™ Design Front Load electric ENERGY STAR® Dryer with steam

DIMENSIONS AND INSTALLATION INFORMATION (IN INCHES)

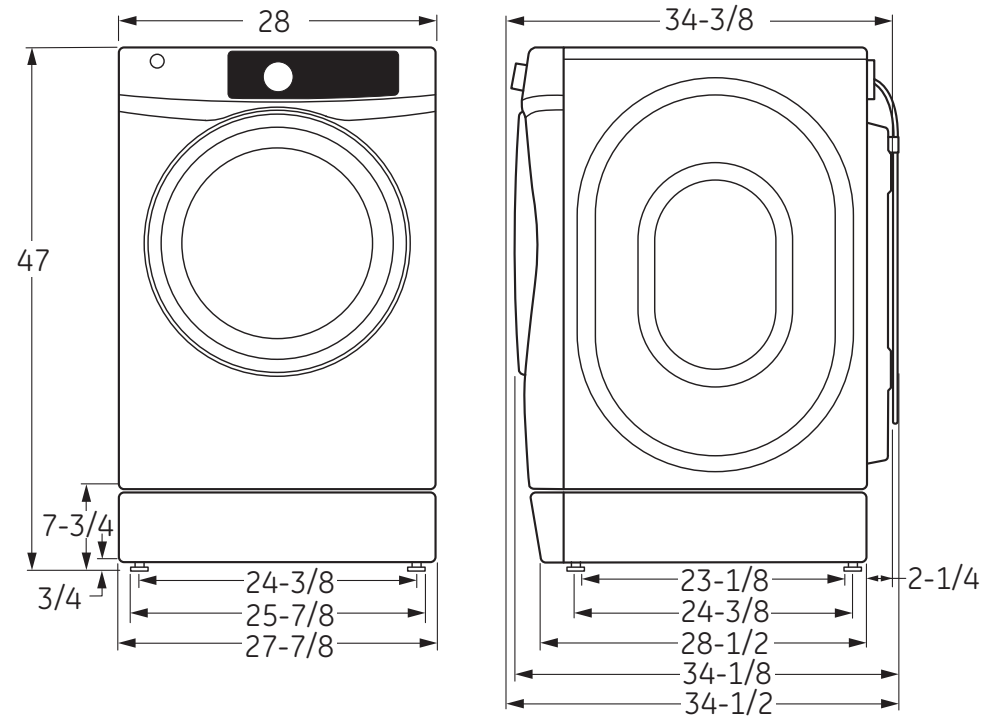
ELECTRIC DRYER RATING	
120V/240V	5600W, 25A, 60Hz
120V/208V	4300W, 23A, 60Hz

EXHAUST OPTIONS: 3-way via rear, right and left.

CIRCUIT REQUIREMENTS: An individual, properly grounded branch circuit, protected by a 30-amp circuit breaker or a time-delay fuse, is required.

NOTE: Dryer wall outlet must be located within 36" of service cord entry and accessible when dryer is mounted in position.

INSTALLATION INFORMATION: For complete information, see installation instructions packed with your dryer.



For answers to your Monogram, GE Café™ Series, GE Profile™ Series or GE Appliances product questions, visit our website at geappliances.com or call GE Answer Center® Service, 800.626.2000.



Specification Created 8/16

GFD49ERPK/ERSK

GE Appliances 8.3 cu. ft. capacity RightHeight™ Design Front Load electric ENERGY STAR® Dryer with steam

SPECIAL INSTALLATION REQUIREMENTS:

ALCOVE OR CLOSET INSTALLATION:

- If your dryer is approved for installation in an alcove or closet, it will be stated on a label on the dryer back.
- The dryer **MUST** be exhausted to the outside.
- Minimum clearances between dryer cabinet and adjacent walls or other surfaces are: 0" either side, 3" front and rear.
- Minimum vertical space from floor to overhead cabinets, ceilings, etc. is 52".
- Closet doors must be louvered or otherwise ventilated and must contain a minimum of 60 sq. in. of open area equally distributed. If this closet contains both a washer and a dryer, doors must contain a minimum of 120 sq. in. of open area equally distributed.
- No other fuel-burning appliance shall be installed in the same closet with a gas dryer.

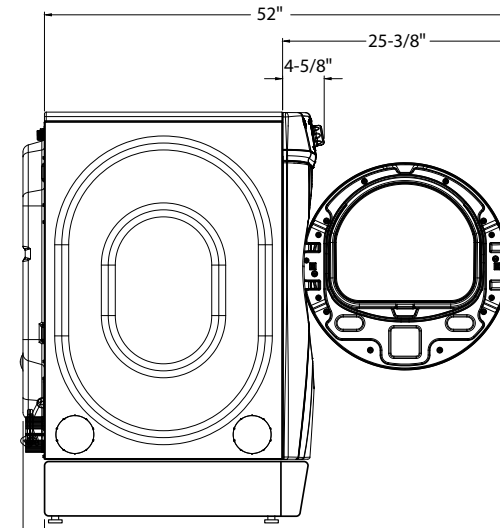
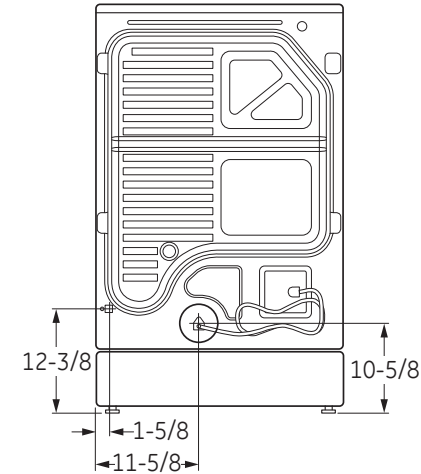
BATHROOM OR BEDROOM INSTALLATION:

- The dryer **MUST** be exhausted to the outdoors.
- The installation must conform with the local codes, or in the absence of local codes, with the National Electric Code and National Fuel Gas Code, ANSI Z223 for gas dryers.

MINIMUM CLEARANCE OTHER THAN ALCOVE OR CLOSET INSTALLATIONS:

- Minimum clearances to combustible surfaces 0" both sides, 3" rear.

FOR MORE INFORMATION ON VENTING KITS AND ACCESSORIES, PLEASE CALL 1-800-GE-CARES.



For answers to your Monogram, GE Café™ Series, GE Profile™ Series or GE Appliances product questions, visit our website at geappliances.com or call GE Answer Center® Service, 800.626.2000.



Specification Created 8/16

GFD49ERPK/ERSK

GE Appliances 8.3 cu. ft. capacity RightHeight™ Design Front Load electric ENERGY STAR® Dryer with steam

DRYER EXHAUSTING INFORMATION – Metal duct only.

For complete information, see installation instructions packed with your dryer.

DUCTING MATERIALS: For best performance, this dryer should be vented with 4" diameter all rigid metal exhaust duct. If rigid metal duct cannot be used, then UL-listed flexible metal (semi-rigid) ducting can be used (Kit WX08X10077). In special installations, it may be necessary to connect the dryer to the house vent using a flexible metal (foil-type) duct. A UL-listed flexible metal (foil-type) duct may be used ONLY in installations where rigid metal or flexible metal (semi-rigid) ducting cannot be used AND where a 4" diameter can be maintained throughout the entire length of the transition duct. Please see installation instruction packed with your dryer for complete instructions when using flexible metal (foil type) ducting.

EXHAUST LENGTH CALCULATION:

1. Determine the number of 90° turns needed for your installation. If you exhaust to the side or bottom of dryer, add one turn.
2. The maximum length of 4' rigid (aluminum or galvanized) duct which can be tolerated is shown in the table.

A turn of 45° or less may be ignored. Two 45° turns within the duct length should be treated as a 90° elbow.

A turn over 45° should be treated as a 90° elbow.

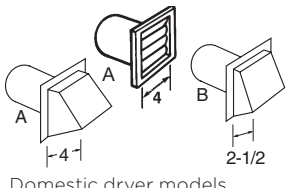
Dryers must be exhausted to the outside.

CAUTION: For personal safety do not terminate exhaust into a chimney, under any enclosed house floor (crawl space), or into an attic, since the accumulated lint could create a fire hazard or moisture could cause damage. Never terminate the exhaust into a common duct or plenum with a kitchen exhaust, since the combination of lint and grease could create a fire hazard.

Exhaust ducts should be terminated in a dampered wall cap to prevent back drafts, bird nesting, etc. The wall cap must also be located at least 12" above the ground or any other obstruction with the opening pointed down.

FOR MORE INFORMATION ON VENTING KITS AND ACCESSORIES, PLEASE CALL 1-800-GE-CARES.

DRYER EXHAUSTING INFORMATION—USE METAL DUCT ONLY VERTICAL AND HORIZONTAL DUCTING



BEST PERFORMANCE			
Maximum length of 4" dia rigid metal duct			
Exhaust hood type			
Number of 90° turns	A 4" opening	B 2-1/2" opening	
Domestic dryer models	0	90 ft.	60 ft.
8.3 cu. ft. capacity models electric dryers	1	60 ft.	45 ft.
	2	45 ft.	35 ft.
	3	35 ft.	25 ft.
	4	25 ft.	15 ft.



For answers to your Monogram, GE Café™ Series, GE Profile™ Series or GE Appliances product questions, visit our website at geappliances.com or call GE Answer Center® Service, 800.626.2000.



Listed by Underwriters Laboratories

GFD49ERPK/ERSK

GE Appliances 8.3 cu. ft. capacity RightHeight™ Design Front Load electric ENERGY STAR® Dryer with steam

FEATURES AND BENEFITS

RightHeight™ Design built-in pedestal - Comfortably load and unload clothes, and use the top as a folding surface, with this factory-installed pedestal

Steam Refresh - Rejuvenate lightly worn clothes by getting rid of wrinkles and odors with this convenient setting using the power of steam

Detangle Assist - Twisted sheets and comforters are a thing of the past with a setting that pauses and reverses direction to separate items and reduce wrinkling

Stainless steel drum - Resists rust and helps protect clothes

HE Sensor Dry - Takes the guesswork out of drying times by sensing the moisture in the drum and drying accordingly

Sanitize cycle - This option reduces certain types of bacteria by 99.8%

Steam Dewrinkle - Stored or wrinkled clothes come out wrinkle-free with this helpful setting that uses steam to refresh and dry a load of any size

LED dryer interior light - Find that last sock in the dryer thanks to a bright, energy-efficient and long-lasting LED light

Extended Tumble - Tumble clothes without heat to help prevent creasing and wrinkling

Quick Dry - Quickly dries items and small loads for families on the go

Model GFD49ERSKWW – White

Model GFD49ERPKDG – Diamond Gray

Model GFD49ERPKRR – Ruby Red

