

*American Standard*

# Installation Instructions

**LUXURY SHOWER  
EXTENDER BODY SPRAYS**

**1660.130  
1660.140**



**1660.130**



**1660.140**

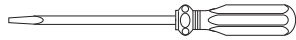
*Thank you for selecting American-Standard...the benchmark of fine quality for over 100 years.*

*To ensure that your installation proceeds smoothly—please read these instructions carefully before you begin.*

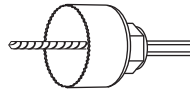
Certified to comply with ANSI A112.18.1

M968617 Rev.1.2

## Recommended Tools



Flat Blade Screwdriver



2-1/4" DIA.  
(57mm) Hole Saw



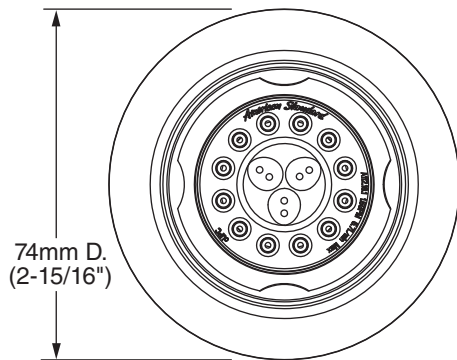
Teflon Tape



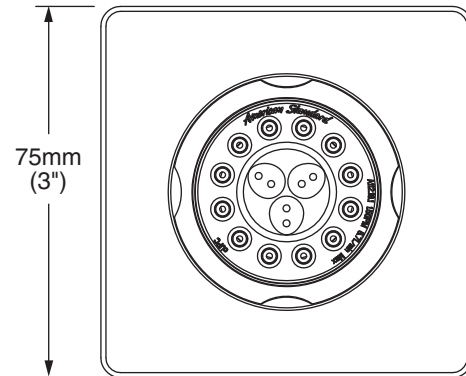
Electric Drill

## ROUGHING-IN DIMENSIONS

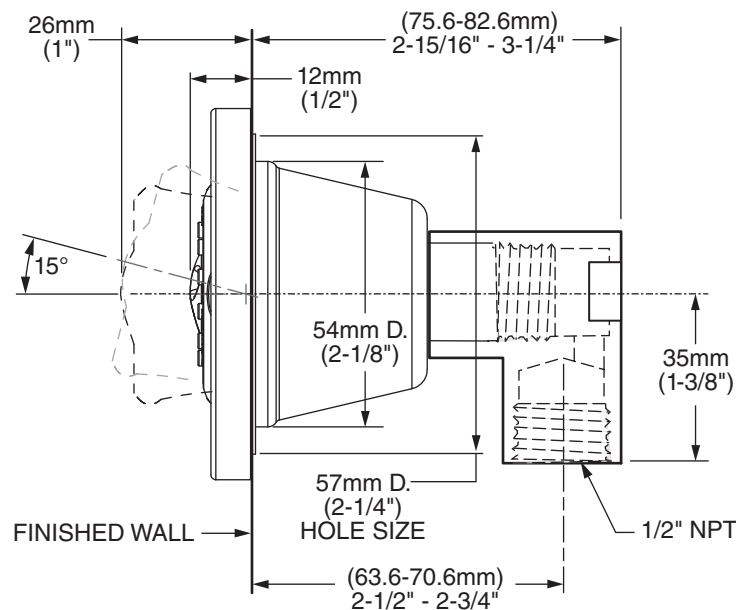
ALL CONNECTIONS 1/2" NPT



**1660.130 Multifunction  
Round Body Spray**



**1660.140 Multifunction  
Square Body Spray**

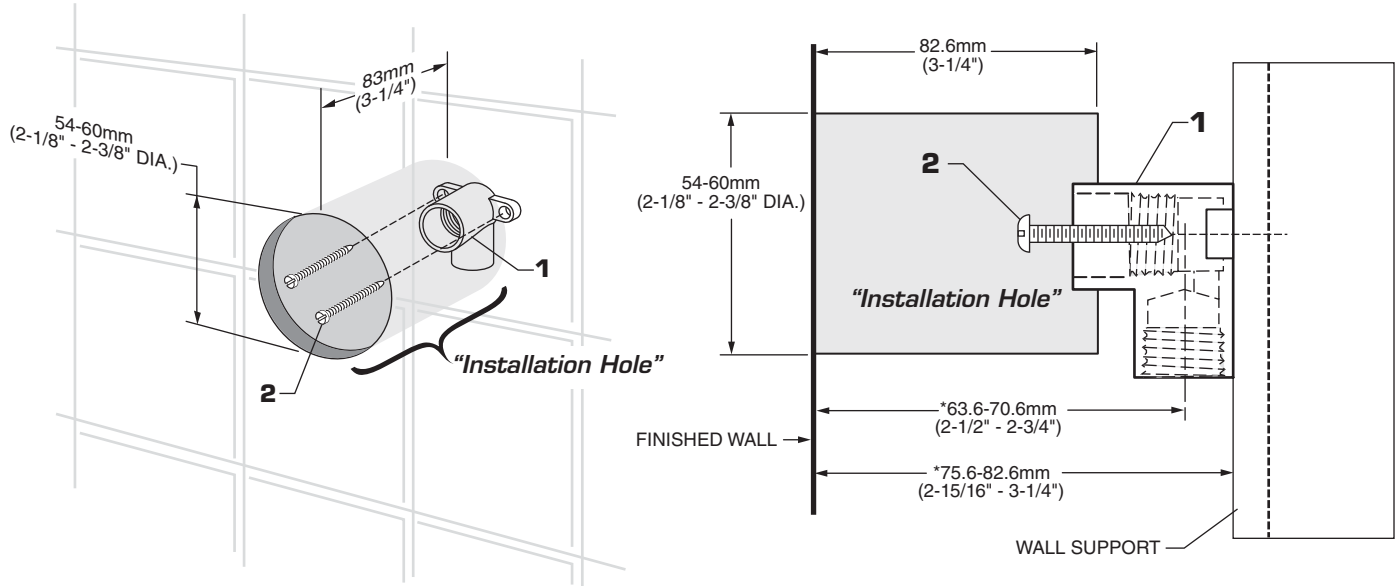


# 1

## INSTALL SUPPLY PIPING

**CAUTION** Turn off hot and cold water supplies before beginning.

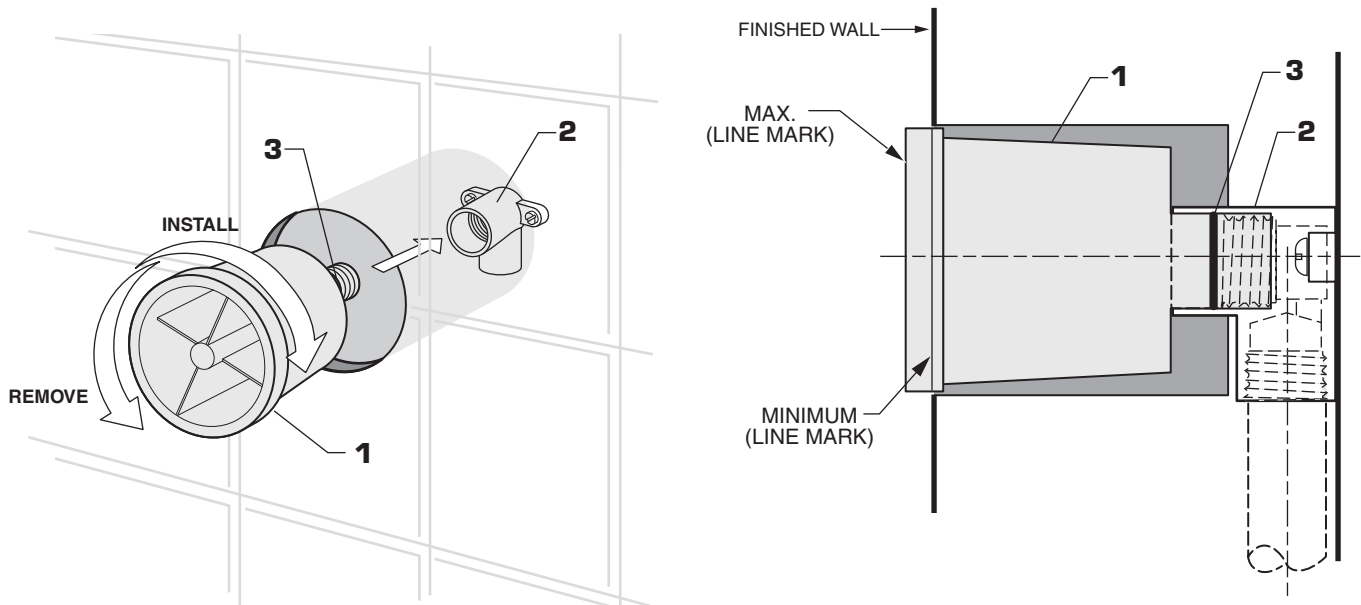
- Provide a "Installation Hole" 2-1/8" - 2-3/8" DIA., (54-60mm) and 3-1/4", (83mm) deep. **Note:** The "Installation Hole" must be clear to allow body spray clearance.
- Install the ELBOW (1) on a support within the wall at the \*dimension shown. Secure with two M5 SCREWS (2) (not provided).



# 2

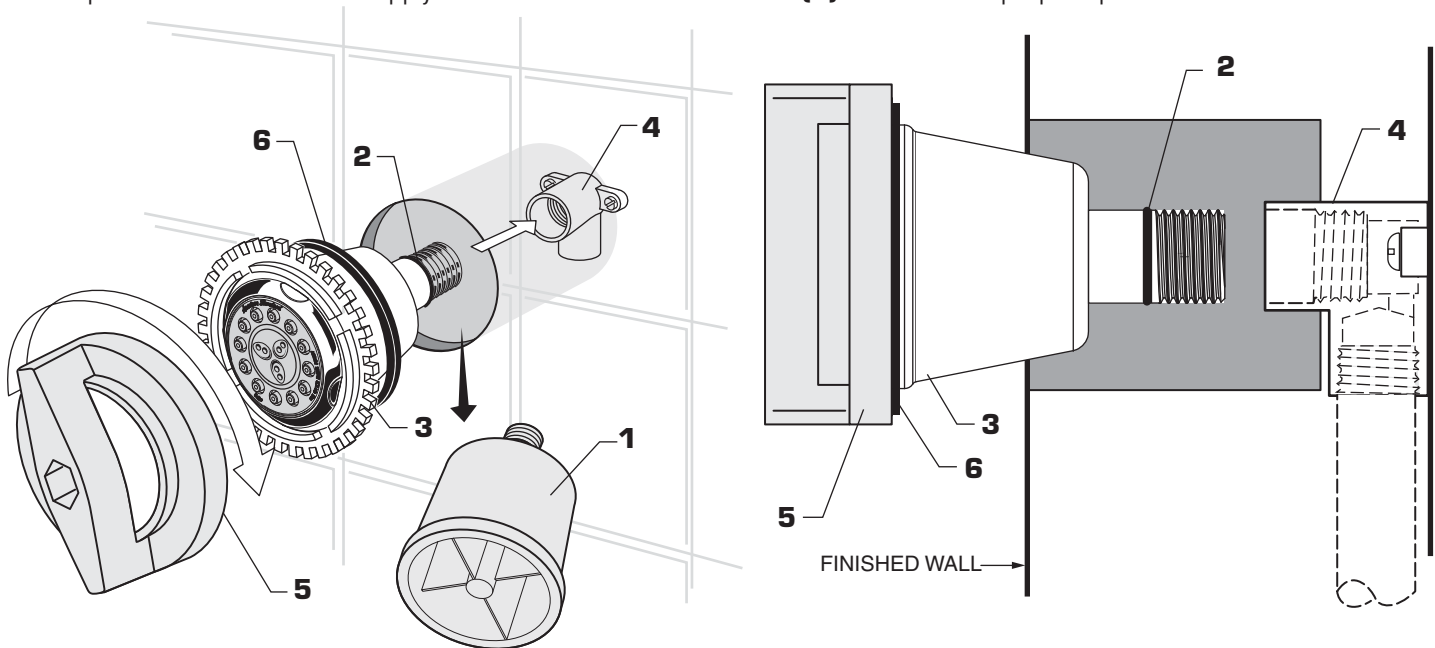
## INSTALL PLASTER GUARD

- Make sure the O-RING (3) is installed on the PLASTER GUARD (1).
- Install the PLASTER GUARD (1) into ELBOW (2). **Note:** The finished wall must be between the Min. & Max. lines on the PLASTER GUARD (1).
- Complete all tiling and wall work. When walls are finished remove PLASTER GUARD (1).



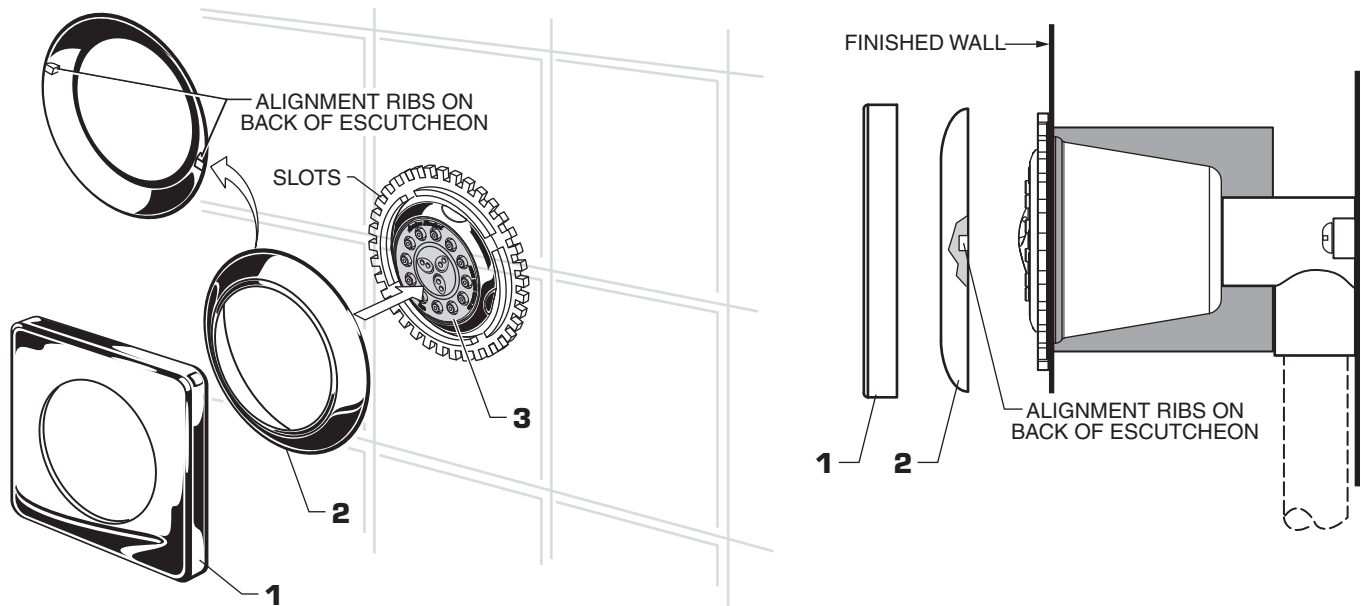
### 3 INSTALL BODY SPRAY

- Remove the PLASTER GUARD (1) if not already removed.
- Make sure the O-RING (2) and FLANGE GASKET (6) are installed on the BODY SPRAY (3). Thread BODY SPRAY (3) into the ELBOW (4).
- Tighten BODY SPRAY (3) using WRENCH (5) supplied until flush against finished wall and FLANGE GASKET (6) is compressed. Turn on water supply and test installed BODY SPRAY (3) for leaks and proper operation.



### 4 INSTALL ESCUTCHEON

- Align ribs on back of ESCUTCHEON (1, 2), with slots in BODY SPRAY (3). Push ESCUTCHEON (1, 2) against BODY SPRAY (3) until ESCUTCHEON (1, 2) snaps into place.
- Turn on water supply and test installed BODY SPRAY (3) for leaks and proper operation.



### 5 CARE:

**DO: SIMPLY RINSE THE PRODUCT CLEAN WITH CLEAR WATER. DRY WITH A SOFT COTTON FLANNEL CLOTH.**

**DO NOT: DO NOT CLEAN THE PRODUCT WITH SOAPS, ACID, POLISH, ABRASIVES, HARSH CLEANERS, OR A CLOTH WITH A COARSE SURFACE.**