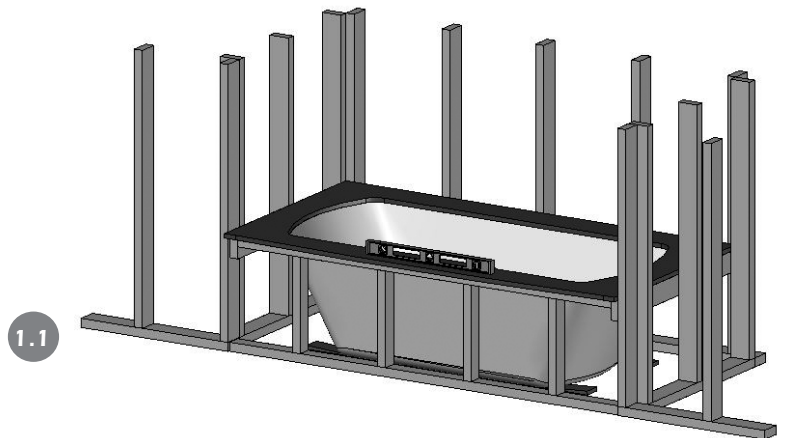


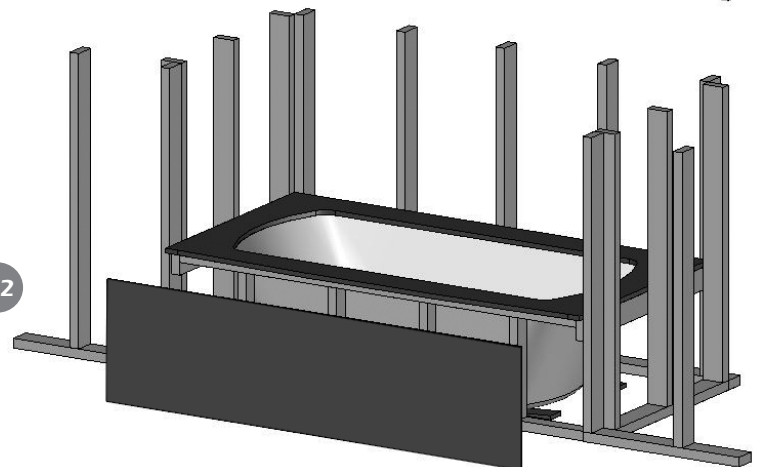
## QUARTZ SKIRT INSTALLATION

### INSTALLATION

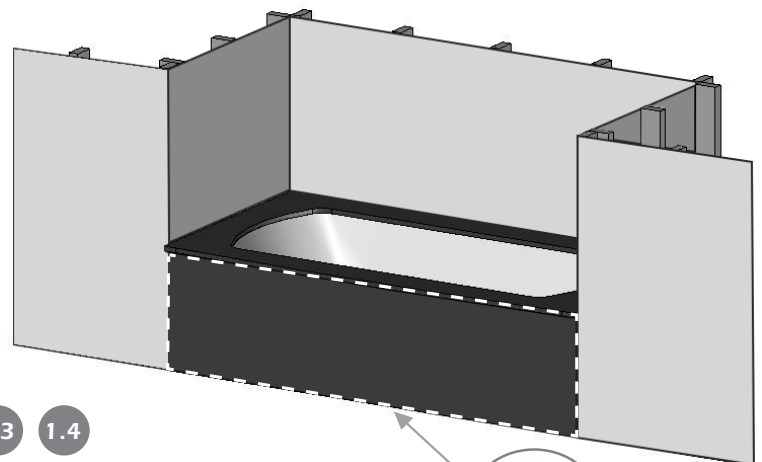
- |     |  |
|-----|--|
| 1.1 | Make sure bath is level.   |
| 1.2 | Determine the skirt direction (orientation).                       |
| 1.3 | Put the skirt in place.  |
| 1.4 | Apply a bead of silicone on the contour of the skirt (four sides). |



1.1



1.2



1.3

1.4

### ! WARNING

- The front panel can not provide on its own enough support to prevent the breakage of the quartz deck surface. **Refer to the Monarch Installation Instructions - Section Installation Alcove.**
- Consider the thicknesses of the wood pieces according to the desired look of the quartz skirt.

### ! WARNING

- Minimum 22 in x 18 in (55 cm x 46 cm) access to all electrical and electronic components of the system must be provided to facilitate repairs.
- In addition, an air intake of at least 2 in x 4 in (5 cm x 10 cm) is required to ensure proper turbine operation.