

Apartment Refrigerators

FFET1022Q W/B

Frost Free
9.9 Cu. Ft. Top Mount



Product Dimensions

A - Height	59-7/8"
B - Width	24"
C - Depth (Including Door)	26-1/8"
D - Depth with Door Opened 90°	47-3/4"

More Easy-To-Use Features

Store-More™ Door Bins

Door bins provide ample storage.

Color-Coordinated Door Handle

Color-Coordinated Smooth Cabinet Finish

Bright Lighting

Our bright lighting makes it easy to see what's inside.

Color-Coordinated Door Hinge Covers

Reversible Door-Swing Option

Door can be installed to open left or right based on your needs.

A.D.A. - Compliant¹

With accessible shelving, and controls that are positioned within arm's reach and allow one-hand operation, our top-freezer refrigerator is A.D.A.-Compliant.



ENERGY STAR®

Signature Features

SpaceWise® Adjustable Glass Shelves

Easily adjust shelves up and down to create more space for taller items.

Independent Temperature Controls

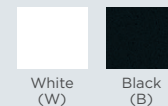
Store-More™ Freezer

Easy-to-access freezer includes a shelf and door rack.

Store-More™ Clear Crisper Drawers

Keep your fruits and vegetables fresh in our crisper drawers.

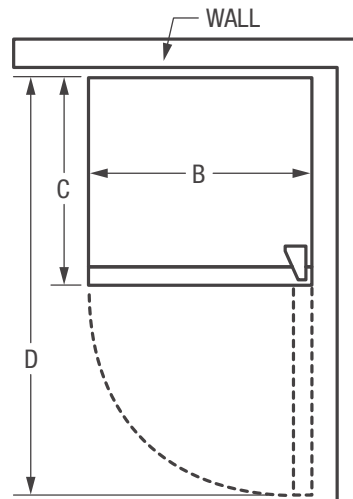
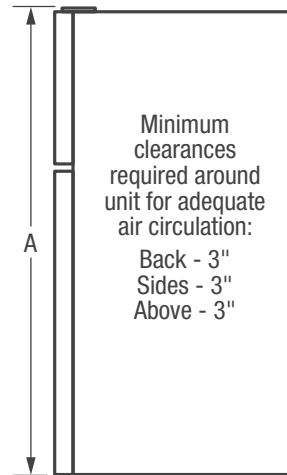
Available in:



¹When properly installed, this model is A.D.A.-qualified based on the Uniform Federal Accessibility Standards, the United States Access Board's A.D.A./A.B.A. Accessibility Guidelines, and the Department of Justice's 2010 A.D.A. Standards for Accessible Design, exclusive of the auxiliary airflow adjustment mechanism in the freezer, which is factory pre-set for optimal energy performance.

Features	
Cubic Feet (Cu.Ft.)	9.9
Defrost	Frost-Free
Exterior	
Door Color	Color-Coordinated
Cabinet Color	Color-Coordinated
Door Handle	Integrated
Door Stops	Yes
Reversible Door	Yes
Interior	
Controls	Ready-Select*
Lighting	LED
Refrigerator Shelves	2 SpaceWise Adjustable Glass/1 Fixed Glass
Store-More™ Crisper Drawers	2 Clear
Door Bins	3 Half-Width Clear
Door Racks	2 Full-Width Clear
Gallon Door Storage	
Tall Bottle Storage	
Can Rack	
Freezer Racks	2 Full-Width Clear
Freezer Shelves	1 SpaceWise® Adjustable Wire
Cabinet Liner	Color-Coordinated
Certifications	
A.D.A. - Compliant ¹	Yes
ENERGY STAR®	Yes
Specifications	
Total Capacity (Cu.Ft.)	9.9
Refrigerator Capacity (Cu.Ft.)	7.3
Freezer Capacity (Cu.Ft.)	2.6
Power Supply Connection Location	Right Bottom Rear
Voltage Rating	115V/60Hz/15A
Minimum Circuit Required (Amps)	15
Shipping Weight (Approx.)	148 Lbs.
Installation Type	Freestanding

¹When properly installed, this model is A.D.A.-qualified based on the Uniform Federal Accessibility Standards, the United States Access Board's A.D.A./A.B.A. Accessibility Guidelines, and the Department of Justice's 2010 A.D.A. Standards for Accessible Design, exclusive of the auxiliary airflow adjustment mechanism in the freezer, which is factory pre-set for optimal energy performance.

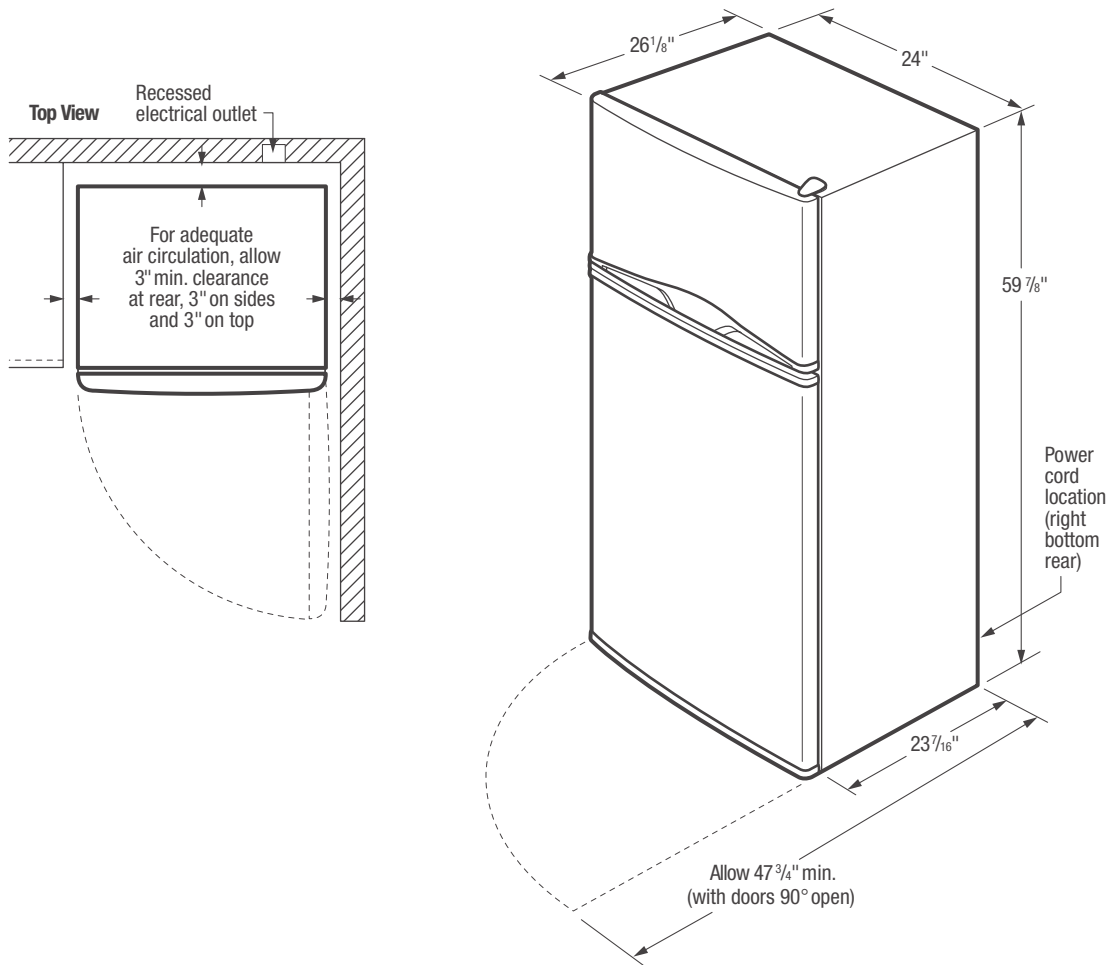


NOTE: For planning purposes only. Always consult local and national electric codes. Refer to Product Installation Guide for detailed installation instructions on the web at frigidaire.com.



Product Dimensions	
A - Height	59-7/8"
B - Width	24"
C - Depth (Incl. Door)	26-1/8"
D - Depth with Door Open 90°	47-3/4"

Accessories information available on the web at frigidaire.com



Apartment Refrigerator Specifications

- Product Shipping Weight (approx.) - 148 Lbs.
- Voltage Rating - 115V/60 Hz/15 Amps
- Always consult local and national electric codes.
- For adequate air circulation, allow 3" minimum clearance at rear, 3" on sides and 3" on top.
- Locate where surrounding air temperature will not exceed 110° F or drop below 10° F, to ensure optimum performance.

- All bottom corners of unit MUST rest firmly on solid level surface of hard material, same height as flooring. Surface must be strong and stable enough to support unit when fully loaded.
- Equipped with adjustable leveling legs to ensure unit is level, which is required in order to function properly.

Note: For planning purposes only. Refer to Product Installation Guide on the web at frigidaire.com for detailed instructions.