

# PKD7000BN/FN/SN

## GE Profile™ Series 27" Built-In Double Electric Convection Wall Oven

### DIMENSIONS AND INSTALLATION INFORMATION (IN INCHES)

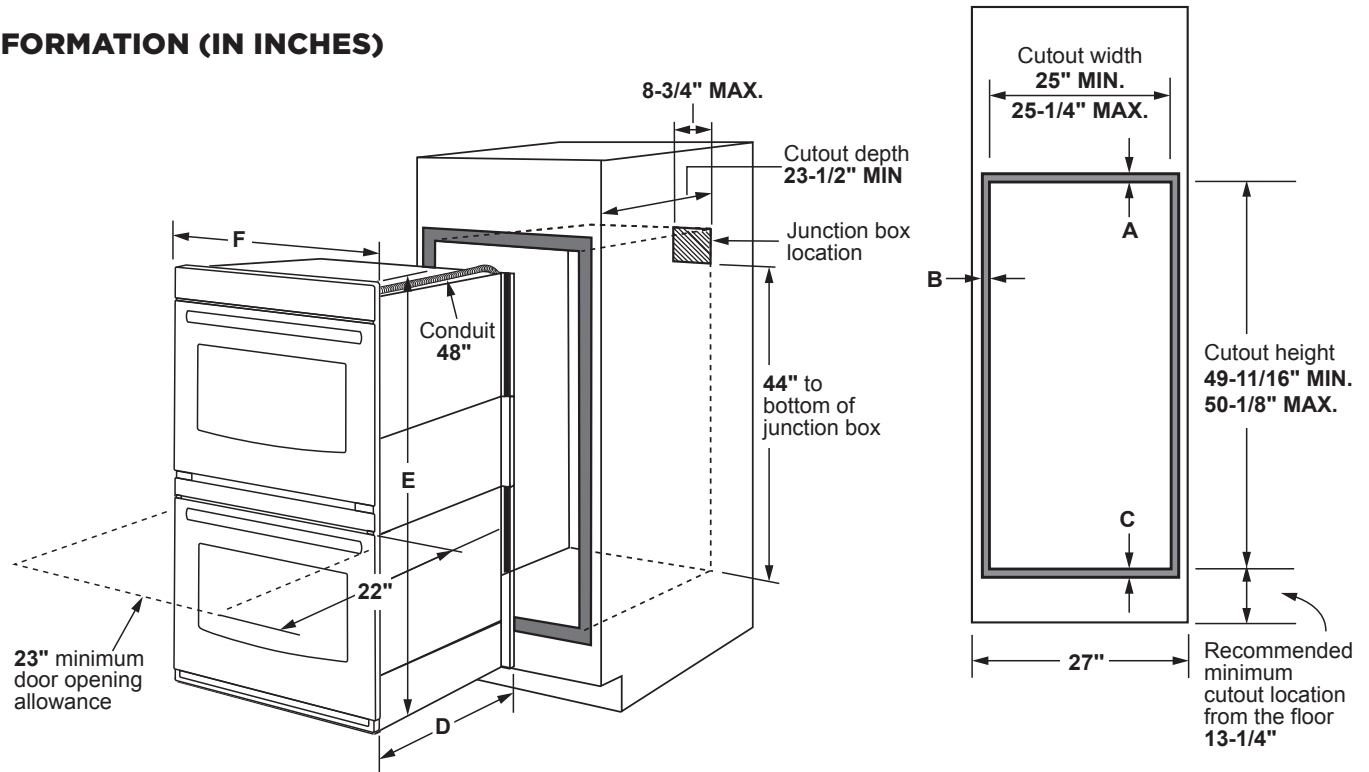
**NOTE:** Wall coverings, countertops and cabinets surrounding the wall oven must be able to withstand a temperature of up to 200°F (94°C).

**NOTE:** If the cabinet in which the wall oven is installed does not have a solid bottom, two braces or runners must be installed to support the weight of the oven. The runners and braces must support up to 400 lbs (181 kg).

**NOTE:** Door handle protrudes 3" from door face. Cabinets and drawers on adjacent 45° and 90° walls should be placed to avoid interference with the handle.

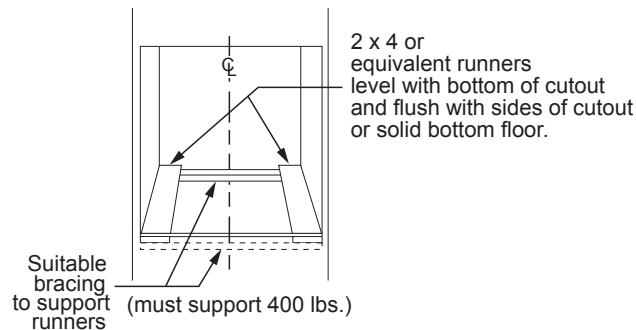
**ATTENTION INSTALLER:** Electric wall ovens are NOT approved for installation with a plug and receptacle. They must be hard wired into an approved junction box.

**IMPORTANT:** Before installing, consult installation instructions packed with product for current dimensional data.



Dimension and installation information are shown in inches.

KW RATING	
240V	8.4
208V	6.3
BREAKER SIZE	
240V	40 Amps
208V	40 Amps



### PKD7000

Cabinet	27"
A - Overlap of oven at top of cutout	1"
B - Overlap of oven other side of edge of cutout	1"
C - Overlap of oven at bottom of cutout	1"
Oven	
D - Install depth	23-1/2"
E - Overall height with trim	51-1/8"
F - Overall width	26-3/4"



For answers to your GE Profile™ Series or GE Appliances product questions, visit our website at [geappliances.com](http://geappliances.com) or call GE Answer Center® Service, 800.626.2000.



Listed by Underwriters Laboratories



# PKD7000BN/FN/SN

## GE Profile™ Series 27" Built-In Double Electric Convection Wall Oven

### FEATURES AND BENEFITS

Brilliant Touch 7" Display – A bright, interactive touch screen makes it fun and easy to program the oven

True European Convection – Achieve delicious results from a third heating element and fan combination

Anywhere control with remote notification – Save time by preheating and controlling your oven from anywhere using the GE Appliances Kitchen app

Double oven convection – Cook more dishes at once and achieve perfectly even results with convection technology in both ovens

Never scrub, smooth glide racks – Easily remove even the heaviest dishes with a roller rack that's engineered to glide seamlessly out of the oven

Precision temperature probe – Internal probe allows monitoring of roasts and meats to assure they are thoroughly and accurately cooked without opening the oven door

Never scrub racks – Save time and effort with racks that are specially engineered to withstand the heat of the self-clean cycle

10-pass hidden bake element – Even baking and quick cleanup are assured, with a 10-pass element that heats a large cooking area and is hidden for an easy-to-wipe surface

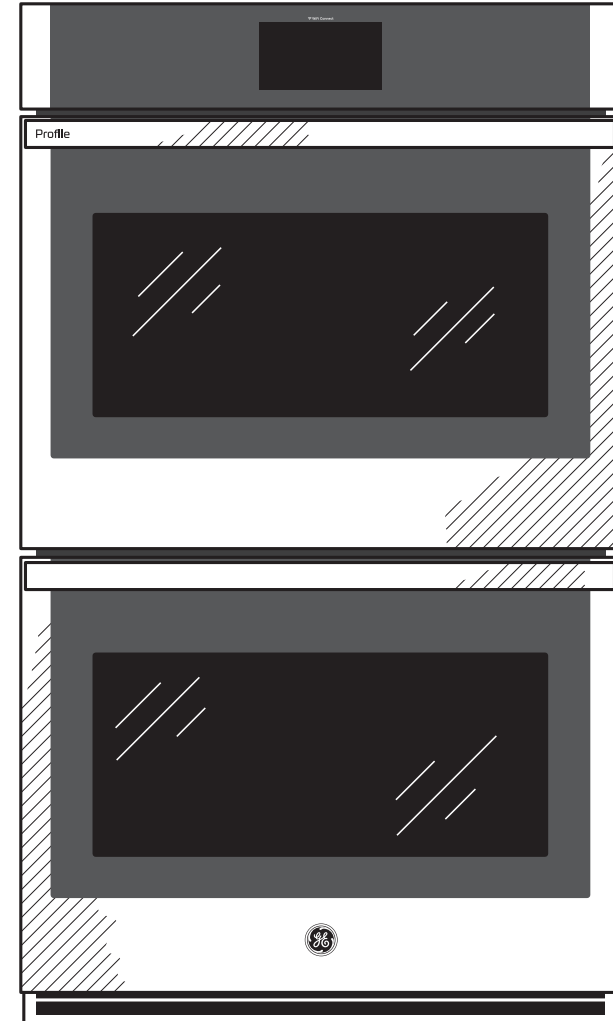
8-pass broil element – Get full broil coverage and even browning from edge to edge

Scan-to-cook – Prepare your favorite packaged foods to perfection simply by scanning the barcode on the package with your smartphone and letting your oven adjust settings automatically

Model PKD7000BNTS – Black Stainless

Model PKD7000FNDS – Black Slate

Model PKD7000SNSS – Stainless steel



### FIT GUARANTEE

Replacing a similar wall oven from GE Appliances or another brand? GE wall ovens are guaranteed for an exact fit or GE Appliances will pay up to \$300 toward modifications.

Visit [geappliances.com](http://geappliances.com) for more info

