

ME16H702SES

1.6 cu. ft. Over-the-Range Microwave

SAMSUNG



Signature Features

LED Display

- Features a digital, blue LED display, complementing any kitchen decor.

Premium Design

- One-piece door design, with an aluminum handle and side control, provides a seamless and modern look.

300 CFM Ventilation System

- Powerful 300 CFM ventilation fan quickly and quietly eliminates food odors.

Available Colors



Fingerprint Resistant
Stainless Steel (shown)



White



Black



LED Display



300 CFM Ventilation System

Features

- 1.6 cu. ft. Oven Capacity
- 1000 Watts of Cooking Power
- 300 CFM Ventilation System
- Charcoal/Grease Vent Filter
- 10 Power Levels
- Two-Stage Programmable Cooking
- Auto Defrost/Auto Reheat
- Auto Cook
- Microwave Distribution System: Turntable

Convenience

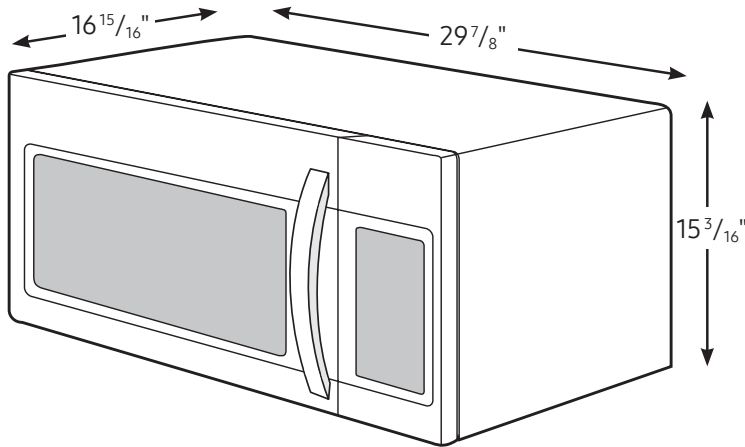
- Kitchen Timer
- Interior Light: Incandescent (1)
- Cooktop Lighting: High/Low/Off
- Vent Fan Control: On/Off
- Eco Mode (Reduces Standby Power)

ME16H702SES

SAMSUNG

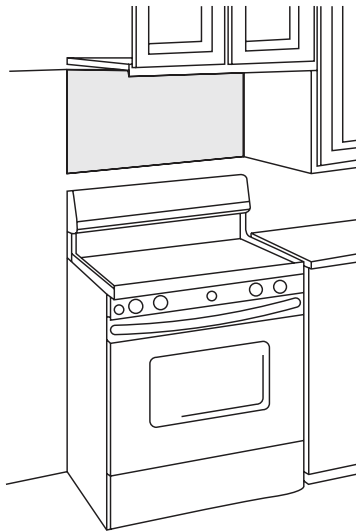
1.6 cu. ft. Over-the-Range Microwave

Dimensions



Installing Your Microwave

- This microwave oven is designed for adaptation to the following three types of ventilation:
 - A. Outside Top Exhaust (Vertical Duct)
 - B. Recirculating (Non-Vented Ductless)
 - C. Outside Back Exhaust (Horizontal Duct)
- The space between the cabinets must be 30" wide and free of obstructions.
- This microwave oven is for installation over ranges up to 36" wide.
- The microwave must be level. Use a level to make sure the cabinet bottom is level. If the cabinets have a front overhang only, with no back or side frame, install the mounting plate down the same distance as the front overhang depth. This will keep the microwave level.



Specifications

- Oven Cavity: 1.6 cu. ft.
- Power Output: 1000W
- Power Consumption: 1580W/13.5 A
- Power Source: 120V/60 Hz
- Control Method: Digital (Membrane Touch)
- Display: LED
- Cooking Control: 10 Power Levels Including Defrost
- Cooking Timer: Digital, up to 99 Minutes, 99 Seconds
- Microwave Distribution System: Turntable
- Glass Turntable Diameter: 11 1/2"
- Vent Fan: 300 CFM
- Vent Fan Control: On/Off
- Cooktop Lighting: High/Low/Off

Warranty

One (1) Year All Parts and Labor
Ten (10) Years Parts on Magnetron

Product Dimensions & Weight (WxHxD)

Cavity Dimensions: 19 5/16" x 9 5/8" x 14 3/8"

Outside Net Dimensions: 29 7/8" x 15 3/16" x 16 15/16"

Weight: 46.8 lbs. (Fingerprint Resistant Stainless Steel)
45.5 lbs. (White, Black)

Shipping Dimensions & Weight (WxHxD)

Dimensions: 33 3/8" x 19 7/16" x 20 3/16"

Weight: 53.7 lbs. (Fingerprint Resistant Stainless Steel)
52.2 lbs. (White, Black)

Color

Fingerprint Resistant
Stainless Steel

White

Black

Model

ME16H702SES

ME16H702SEW

ME16H702SEB

UPC Code

887276690162

887276690834

887276690827

FOR EASIER INSTALLATION AND PERSONAL SAFETY, WE RECOMMEND THAT TWO PEOPLE INSTALL THIS MICROWAVE OVEN. IMPORTANT: Do not grip or use handle during installation.

NOTE: If your cabinet is metal, use the nylon grommet around the power cord hole to prevent cutting of the cord.

NOTE: We recommend using filler blocks if the cabinet front hangs below the cabinet bottom shelf.

IMPORTANT: If filler blocks are not used, case damage may occur from overtightening screws.

NOTE: When mounting the microwave oven, thread power cord through hole in bottom of top cabinet. Do not pinch cord or lift oven by pulling cord.