

 BARRIER FREE

**CADET® PRO™ RIGHT HEIGHT®  
ELONGATED TOILET 10" ROUGH-IN**

**□ 215AB.004**

- Features the **Cadet® Flushing System**
- Vitreous china
- Low consumption (6.0 Lpf/1.6 gpf) toilet
- Trade exclusive tank
- PowerWash® rim scrubs bowl with each flush
- Robust metal trip lever & metal shank fill valve
- Includes EZ-Install Tools w/color match bowl caps
- EverClean® surface included
- 3" flush valve
- Fully-glazed 2-1/8" trapway
- 16-1/2" rim height for accessible applications
- 10" (254mm) rough-in
- Generous 9" x 8" water surface area
- Chrome finish trip lever is supplied
- 1,000g MaP Score\*\* at 1.6 gpf
- 5 year warranty

- **3517A.101** Right Height® Elongated Bowl  
□ **4188B.004** Tank

**Nominal Dimensions:**

717 x 460 x 771mm (28-1/4" x 18-1/8" x 30-3/8")

Fixture only, seat and supply sold separately

**Alternative Tank Configuration Available:**

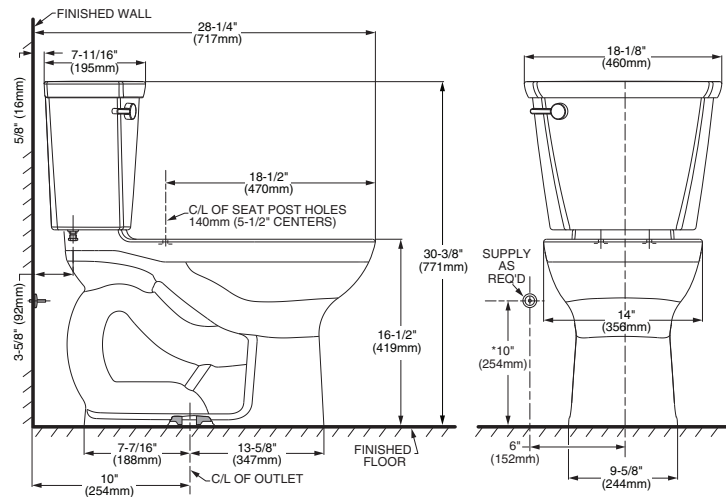
- **4188B.005** Tank complete with trip lever located on right side

**Compliance Certifications -**

**Meets or Exceeds the Following Specifications:**

- ASME A112.19.2-2008/CSA B45.1-08 for Vitreous China Fixtures

\*\* Maximum Performance (MaP) testing performed by IAPMO R&T Lab. MaP Report conducted by Veritec Consulting, Inc. and Koeller and Company.



**To Be Specified:**

- Color: □ White □ Bone □ Linen
- Seat: #5321.110 EverClean® Elongated Seat with Slow Close Snap-Off Hinges
- Supply with stop:

**NOTES:**

THIS TOILET IS DESIGNED TO ROUGH-IN AT A MINIMUM DIMENSION OF 254MM (10") FROM FINISHED WALL TO C/L OF OUTLET. SUPPLY NOT INCLUDED WITH FIXTURE AND MUST BE ORDERED SEPARATELY. \* DIMENSION SHOWN FOR LOCATION OF SUPPLY IS SUGGESTED.

**IMPORTANT:** Dimensions of fixtures are nominal and may vary within the range of tolerances established by ANSI Standard A112.19.2. These measurements are subject to change or cancellation. No responsibility is assumed for use of superseded or voided pages.



MEETS THE AMERICANS WITH DISABILITIES ACT GUIDELINES AND ANSI A117.1 REQUIREMENTS FOR ACCESSIBLE AND USABLE BUILDING FACILITIES-CHECK LOCAL CODES.

