

When range hoods exhaust air out of your home, negative air pressure is created unless the exhausted air is replaced by fresh outdoor air. Zephyr's Make-Up Air Damper is designed to balance the air pressure in your home

by automatically opening to allow fresh air in while the range hood is operating.

For use with any Zephyr hood operating over 300 CFM.

MODEL	DAMPER SIZE	CFM LEVEL of range hood motor
MUA006A	6" round	up to 600 CFM
MUA008A	8" round	up to 1,000 CFM
MUA010A	10" round	up to 1,300 CFM

**FEATURES**

- 24 VAC, 60 Hz AC motor
- Meets International Residential Code M1503.4
- Automatically opens when range hood is operating
- Automatically closes when range hood is off
- 24-gauge galvanized steel construction
- Adjustment screw to adjust damper opening

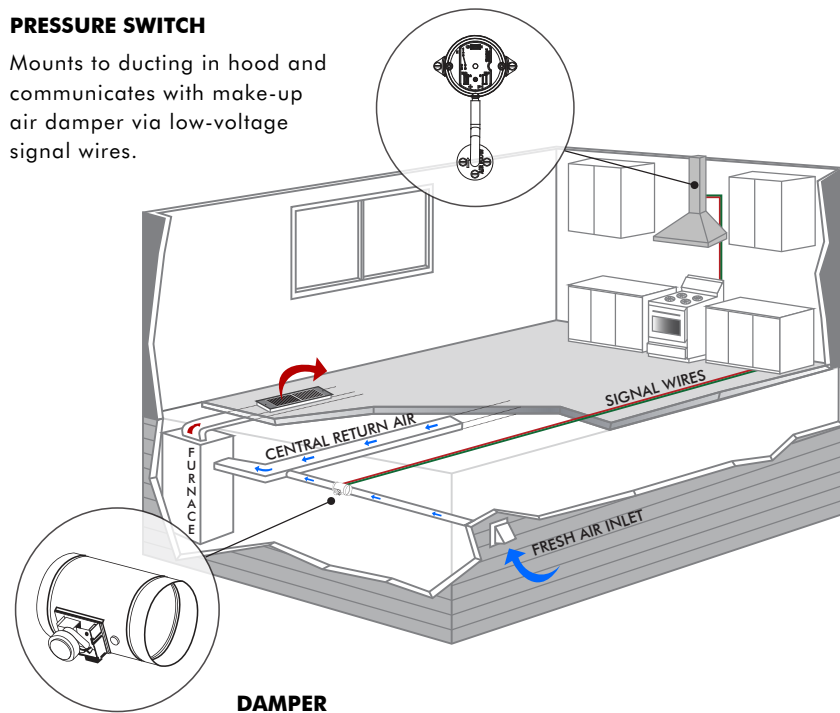
**OPTIONAL ACCESSORIES**

- AK00030 Fresh air inlet cap with screen, 6" round
- AK00032 Fresh air inlet cap with screen, 8" round
- AK00052 Fresh air inlet cap with screen, 10" round

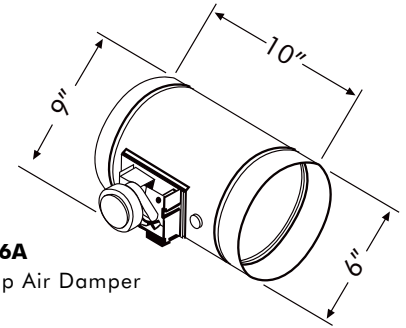
**TYPICAL INSTALLATION**

**PRESSURE SWITCH**

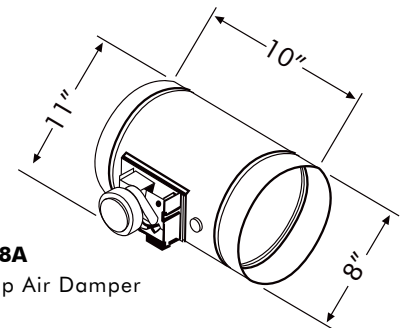
Mounts to ducting in hood and communicates with make-up air damper via low-voltage signal wires.



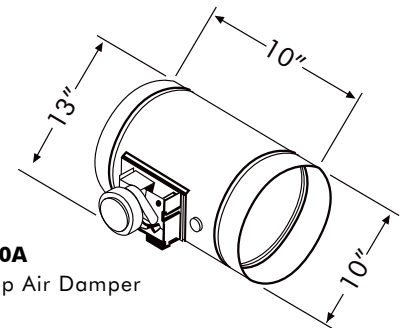
**DAMPER**



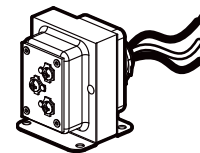
**MUA006A**  
Make-Up Air Damper



**MUA008A**  
Make-Up Air Damper



**MUA010A**  
Make-Up Air Damper



**Transformer**  
Installs next to damper.  
Included with MUA006A,  
MUA008A & MUA010A

**Pressure Switch Components**

Included with MUA006A,  
MUA008A & MUA010A

