
INSTALLATION INSTRUCTIONS AND OWNER'S MANUAL

Top Mount Refrigerator

Do Not Throw Away — Additional important safety information included.

Para las instrucciones en español, visite nuestro sitio de internet.

INSTRUCTIONS D'INSTALLATION ET MANUEL D'UTILISATION

Réfrigérateur superposé

Ne pas jeter — Autres consignes de sécurité importantes ci-jointes.

Table of Contents / Table des matières

REFRIGERATOR SAFETY	2	SÉCURITÉ DU RÉFRIGÉRATEUR	11
INSTALLATION INSTRUCTIONS	3	INSTRUCTIONS D'INSTALLATION	12
Unpack the Refrigerator.....	3	Déballage du réfrigérateur	12
Location Requirements.....	4	Exigences d'emplacement	13
Electrical Requirements	4	Spécifications électriques.....	13
Water Supply Requirements.....	5	Spécifications de l'alimentation en eau.....	14
Connect the Water Supply.....	5	Raccordement de la canalisation d'eau.....	14
Refrigerator Doors.....	6	Portes du réfrigérateur.....	15
Adjust the Doors	8	Ajustement des portes.....	17
REFRIGERATOR FEATURES	9	CARACTÉRISTIQUES DU RÉFRIGÉRATEUR	18
Refrigerator Shelves.....	9	Tablettes du réfrigérateur	18
Crisper	9	Bac à légumes	18
FREEZER FEATURES	10	CARACTÉRISTIQUES DU CONGÉLATEUR	19
Freezer Shelf	10	Tablette du congélateur.....	19
DOOR FEATURES	10	CARACTÉRISTIQUES DE LA PORTE	20
Door Rails.....	10	Tringles de porte	20

REFRIGERATOR SAFETY

Your safety and the safety of others are very important.

We have provided many important safety messages in this manual and on your appliance. Always read and obey all safety messages.



This is the safety alert symbol.

This symbol alerts you to potential hazards that can kill or hurt you and others.

All safety messages will follow the safety alert symbol and either the word "DANGER" or "WARNING."

These words mean:

⚠ DANGER

You can be killed or seriously injured if you don't immediately follow instructions.

⚠ WARNING

You can be killed or seriously injured if you don't follow instructions.

All safety messages will tell you what the potential hazard is, tell you how to reduce the chance of injury, and tell you what can happen if the instructions are not followed.

IMPORTANT SAFETY INSTRUCTIONS

WARNING: To reduce the risk of fire, electric shock, or injury to persons when using the refrigerator, follow basic precautions, including the following:

- Plug into a grounded 3 prong outlet.
- Do not remove ground prong.
- Do not use an adapter.
- Do not use an extension cord.
- Disconnect power before servicing.
- Replace all parts and panels before operating.
- Remove doors from your old refrigerator.
- Use nonflammable cleaner.
- Keep flammable materials and vapors, such as gasoline, away from refrigerator.
- Use two or more people to move and install refrigerator.
- Disconnect power before installing ice maker (on ice maker kit ready models only).

SAVE THESE INSTRUCTIONS

State of California Proposition 65 Warnings:

WARNING: This product contains one or more chemicals known to the State of California to cause cancer.

WARNING: This product contains one or more chemicals known to the State of California to cause birth defects or other reproductive harm.

Proper Disposal of Your Old Refrigerator

! WARNING

Suffocation Hazard

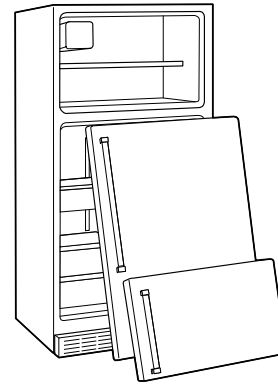
Remove doors from your old refrigerator.

Failure to do so can result in death or brain damage.

IMPORTANT: Child entrapment and suffocation are not problems of the past. Junked or abandoned refrigerators are still dangerous – even if they will sit for “just a few days.” If you are getting rid of your old refrigerator, please follow these instructions to help prevent accidents.

Before You Throw Away Your Old Refrigerator or Freezer:

- Take off the doors.
- Leave the shelves in place so that children may not easily climb inside.



Important information to know about disposal of refrigerants:

Dispose of refrigerator in accordance with Federal and Local regulations. Refrigerants must be evacuated by a licensed, EPA certified refrigerant technician in accordance with established procedures.

INSTALLATION INSTRUCTIONS

Unpack the Refrigerator

! WARNING

Excessive Weight Hazard

Use two or more people to move and install refrigerator.

Failure to do so can result in back or other injury.

When Moving Your Refrigerator:

Your refrigerator is heavy. When moving the refrigerator for cleaning or service, be sure to cover the floor with cardboard or hardboard to avoid floor damage. Always pull the refrigerator straight out when moving it. Do not wiggle or “walk” the refrigerator when trying to move it, as floor damage could occur.

Remove the Packaging

- Remove tape and glue residue from surfaces before turning on the refrigerator. Rub a small amount of liquid dish soap over the adhesive with your fingers. Wipe with warm water and dry.

NOTE: Do not use sharp instruments, rubbing alcohol, flammable fluids, or abrasive cleaners to remove tape or glue. These products can damage the surface of your refrigerator. For more information, see “Refrigerator Safety.”

- Dispose of/recycle all packaging materials.

IMPORTANT: Do not remove the white foam air return insert that is located behind the control panel on the ceiling of the refrigerator (on some models). The insert is part of the refrigerator and not part of the packing material. If the insert is removed, ice may migrate down from the freezer and cause icicles to form.

Clean Before Using

After you remove all of the package materials, clean the inside of your refrigerator before using it. See the cleaning instructions in “Refrigerator Care.”

Important information to know about glass shelves and covers:

Do not clean glass shelves or covers with warm water when they are cold. Shelves and covers may break if exposed to sudden temperature changes or impact, such as bumping. Tempered glass is designed to shatter into many small, pebble-size pieces. This is normal. Glass shelves and covers are heavy. Use both hands when removing them to avoid dropping.

Location Requirements

⚠ WARNING



Explosion Hazard

Keep flammable materials and vapors, such as gasoline, away from refrigerator.

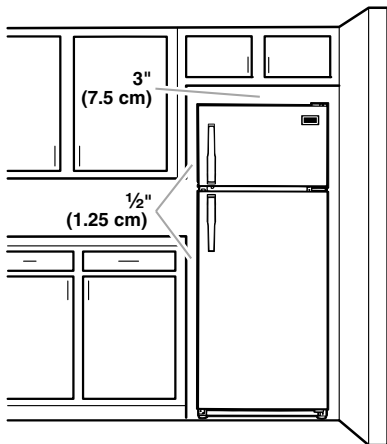
Failure to do so can result in death, explosion, or fire.

IMPORTANT: This refrigerator is designed for indoor, household use only.

To ensure proper ventilation for your refrigerator, it is recommended to allow a ½" (1.25 cm) space on each side. Allow 3" (7.5 cm) of space between overhead cabinets and refrigerator top. Allow at least 1" (2.5 cm) between back of cabinet and the wall. If your refrigerator has an ice maker, make sure you leave some extra space at the back for the water line connections.

- If you are installing your refrigerator next to a fixed wall, leave enough space on the hinge side to allow for the door to swing open.
- Level the refrigerator. See "Adjust the Doors."

NOTE: This refrigerator is intended for use in a location where the temperature ranges from a minimum of 55°F (13°C) to a maximum of 110°F (43°C). The preferred room temperature range for optimum performance, which reduces electricity usage and provides superior cooling, is between 60°F (15°C) and 90°F (32°C). It is recommended that you do not install the refrigerator near a heat source, such as an oven or radiator.



Electrical Requirements

⚠ WARNING



Electrical Shock Hazard

Plug into a grounded 3 prong outlet.

Do not remove ground prong.

Do not use an adapter.

Do not use an extension cord.

Failure to follow these instructions can result in death, fire, or electrical shock.

Before you move your refrigerator into its final location, it is important to make sure you have the proper electrical connection.

Recommended Grounding Method

A 115 volt, 60 Hz, AC only, 15- or 20-amp fused, grounded electrical supply is required. It is recommended that a separate circuit serving only your refrigerator be provided. Use an outlet that cannot be turned off by a switch. Do not use an extension cord.

NOTE: Before performing any type of installation or cleaning, or removing a light bulb, turn cooling off or turn the control (Thermostat, Refrigerator or Freezer Control depending on the model) to OFF, and then disconnect the refrigerator from the electrical source. When you are finished, reconnect the refrigerator to the electrical source and turn cooling on or reset the control (Thermostat, Refrigerator or Freezer Control depending on the model) to the desired setting. See "Using the Controls" in the User Instructions, User Guide, or Use & Care Guide.

Water Supply Requirements

Read all directions before you begin.

Gather the required tools and parts before starting installation. Read and follow the instructions provided with any tools listed here.

Tools Needed: Flat-blade screwdriver, $\frac{7}{16}$ " and $\frac{1}{2}$ " Open-end wrenches or 2 Adjustable wrenches, $\frac{1}{4}$ " Nut driver and drill bit, Cordless drill.

IMPORTANT:

- If you turn on the refrigerator before the water line is connected, turn OFF the ice maker.
- All installations must meet local plumbing code requirements.
- Use copper tubing and check for leaks. Install copper tubing only in areas where the household temperatures will remain above freezing.

NOTE: Your refrigerator dealer has a kit available with a $\frac{1}{4}$ " (6.35 mm) saddle-type shutoff valve, a union, and copper tubing. Before purchasing, make sure a saddle-type valve complies with your local plumbing codes. Do not use a piercing-type or $\frac{3}{16}$ " (4.76 mm) saddle valve which reduces water flow and clogs more easily.

Water Pressure

IMPORTANT: A cold water supply with water pressure between 30 and 120 psi (207 and 827 kPa) is required to operate the ice maker.

NOTE: If the water pressure is less than what is required, ice cubes could be hollow or irregular shaped.

If you have questions about your water pressure, call a licensed, qualified plumber.

Reverse Osmosis Water Supply

If a reverse osmosis water filtration system is connected to your cold water supply, the water pressure to the reverse osmosis system needs to be a minimum of 40 to 60 psi (276 to 414 kPa).

If the ice maker is still not operating properly:

- Check to see whether the sediment filter in the reverse osmosis system is blocked. Replace the filter if necessary.
- Allow the storage tank on the reverse osmosis system to refill after heavy usage.

Connect the Water Supply (on some models)

Read all directions before you begin.

IMPORTANT: If you turn on the refrigerator before the water line is connected, turn OFF the ice maker to avoid excessive noise or damage to the water valve.

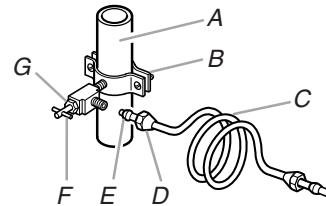
Connect to Water Line

1. Unplug refrigerator or disconnect power.
2. Turn OFF main water supply. Turn ON nearest faucet long enough to clear line of water.
3. Locate a $\frac{1}{2}$ " to $1\frac{1}{4}$ " (1.27 cm to 3.18 cm) vertical cold water pipe near the refrigerator.

IMPORTANT:

- Make sure it is a cold water pipe.
- Horizontal pipe will work, but drill on the top side of the pipe, not the bottom. This will help keep water away from the drill and normal sediment from collecting in the valve.

4. Determine the length of copper tubing you will need. Measure from the connection on lower left rear of refrigerator to the water pipe. Add 7 ft (2.1 m) to allow for cleaning. Use $\frac{1}{4}$ " (6.35 mm) O.D. (outside diameter) copper tubing. Be sure both ends of copper tubing are cut square.
5. Using a cordless drill, drill a $\frac{1}{4}$ " hole in the cold water pipe you have selected.



A. Cold water pipe
B. Pipe clamp
C. Copper tubing
D. Compression nut
E. Compression sleeve
F. Shutoff valve
G. Packing nut

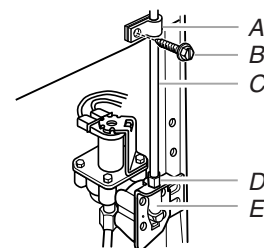
6. Fasten the shutoff valve to the cold water pipe with the pipe clamp. Be sure the outlet end is solidly in the $\frac{1}{4}$ " drilled hole in the water pipe and that the washer is under the pipe clamp. Tighten the packing nut. Tighten the pipe clamp screws slowly and evenly so washer makes a watertight seal. Do not overtighten.
7. Slip the compression sleeve and compression nut on the copper tubing, as shown. Insert the end of the tubing into the outlet end squarely as far as it will go. Screw compression nut onto outlet end with adjustable wrench. Do not overtighten.
8. Place the free end of the tubing in a container or sink, and turn ON the main water supply. Flush the tubing until water is clear. Turn OFF the shutoff valve on the water pipe. Coil the copper tubing.

Connect to Refrigerator

NOTE: On kit models, assemble water valve to refrigerator according to kit instructions.

Style 1

1. Unplug refrigerator or disconnect power.
2. Attach the copper tube to the valve inlet using a compression nut and sleeve as shown. Tighten the compression nut. Do not overtighten.
3. Use the tube clamp on the back of the refrigerator to secure the tubing to the refrigerator as shown. This will help avoid damage to the tubing when the refrigerator is pushed back against the wall.
4. Turn shutoff valve ON.
5. Check for leaks. Tighten any connections (including connections at the valve) or nuts that leak.

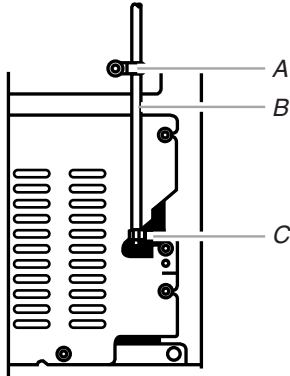


A. Tube clamp
B. Tube clamp screw
C. Copper tubing
D. Compression nut
E. Valve inlet

6. The ice maker is equipped with a built-in water strainer. If your water conditions require a second water strainer, install it in the $\frac{1}{4}$ " (6.35 mm) water line at either tube connection. Obtain a water strainer from your nearest appliance dealer.

Style 2

1. Unplug refrigerator or disconnect power.
2. Disconnect the tube clamp on the back of the product and insert the copper tubing through the clamp as shown.
3. Attach the copper tube to the valve inlet using a compression nut and sleeve as shown.
4. Tighten the compression nut. Do not overtighten. Reattach the tube clamp and tube to the back of the cabinet.



A. Tube clamp C. Compression nut
B. Copper tubing

5. Turn shutoff valve ON. Check for leaks. Tighten any connections (including connections at the valve) or nuts that leak.
6. The ice maker is equipped with a built-in water strainer. If your water conditions require a second water strainer, install it in the 1/4" (6.35 mm) water line at either tube connection. Obtain a water strainer from your nearest appliance dealer.

Complete the Installation

⚠ WARNING



Electrical Shock Hazard

Plug into a grounded 3 prong outlet.

Do not remove ground prong.

Do not use an adapter.

Do not use an extension cord.

Failure to follow these instructions can result in death, fire, or electrical shock.

1. Plug into a grounded 3 prong outlet.

NOTE: Allow 24 hours to produce the first batch of ice. Discard the first three batches of ice produced. Allow 3 days to completely fill ice container.

Refrigerator Doors

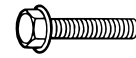
TOOLS NEEDED:

- 5/16" Hex head socket wrench
- 5/16" Open-end wrench
- #2 Phillips screwdriver
- Flat 2" putty knife
- Flat-blade screwdriver

IMPORTANT:

- Before you begin, turn the refrigerator control OFF. Unplug refrigerator or disconnect power.
- Remove food and adjustable door or utility bins from doors.
- If you are only removing and replacing the doors, see the "Remove Doors and Hinges" and "Replace Doors and Hinges" sections.
- All graphics referenced in the following instructions are included later in this section after "Final Steps."

Remove Doors and Hinges



5/16" Hex Head Hinge Screw

1. Unplug refrigerator or disconnect power.
2. Close the refrigerator door and keep both doors closed until you are ready to lift them free from the cabinet.
NOTE: Provide additional support for the doors while the hinges are being moved. Do not depend on the door magnets to hold the doors in place while you are working.
3. Remove the parts for the top hinge as shown in Top Hinge graphic. Lift the freezer door free from the cabinet.
4. Remove the parts for the center hinge as shown in the Center Hinge graphic. Lift the refrigerator door free from the cabinet.
5. Remove the parts for the bottom hinge as shown in the Bottom Hinge graphic.

Reverse Doors (optional)

IMPORTANT: If you want to reverse your doors so that they open in the opposite direction, follow these steps. If you are not reversing the doors, see "Replace Doors and Hinges."

Graphics follow these instructions.



Door Stop Screw



Door Hinge Hole Plug



Dome Cap



Cabinet Hinge Hole Plug



Dome Cap Washer

Cabinet

1. Remove 5/16" hex head hinge screws from handle side and move them to opposite side. See Graphic 1.
2. Remove cabinet hinge hole plugs from cabinet top and move them to opposite side hinge holes as shown. See Graphic 2.

Freezer door

1. Remove door hinge hole plug from freezer door. Move to opposite side hinge hole as shown. See Graphic 3.
2. Remove door stop. Move to opposite side of refrigerator door as shown. See Graphic 4.
3. Set aside door until hinges and refrigerator compartment door are in place.

Refrigerator door

1. Remove door hinge hole plug from refrigerator door. Move to opposite side hinge hole as shown. See Graphic 3.
2. Remove door stop. Move to opposite side of refrigerator door as shown. See Graphic 4.
3. Set aside refrigerator door until bottom hinge is installed on refrigerator.

Replace Doors and Hinges

NOTE: Graphic may be reversed if door swing is reversed.

1. Replace the parts for the bottom hinge as shown. Tighten screws. Replace the refrigerator door.
NOTE: Provide additional support for the doors while the hinges are being moved. Do not depend on the door magnets to hold the doors in place while you are working.
2. Assemble the parts for the center hinge as shown and tighten all screws. See Center Hinge graphic. Replace the freezer door.
3. Assemble the parts for the top hinge as shown. See Top Hinge graphic. Do not tighten screws completely.
4. Line up the doors so that the bottom of the freezer door aligns evenly with the top of the refrigerator door. Tighten all screws.

Final Steps

1. Check all holes to make sure that hole plugs and screws are in place. Reinstall top hinge cover. See Top Hinge graphic.

⚠ WARNING



Electrical Shock Hazard

Plug into a grounded 3 prong outlet.

Do not remove ground prong.

Do not use an adapter.

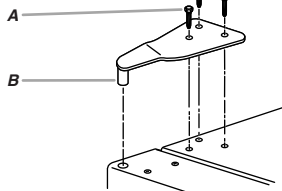
Do not use an extension cord.

Failure to follow these instructions can result in death, fire, or electrical shock.

2. Plug into a grounded 3 prong outlet.
3. Reset the controls. See “Using the Control(s).”
4. Return all removable door parts to doors and the food to the refrigerator.

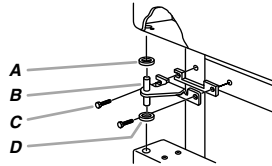
Door Removal & Replacement

Top Hinge



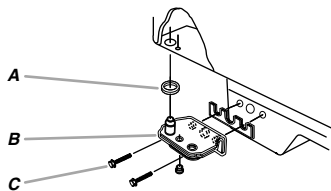
A. $\frac{5}{16}$ " Hex-Head Hinge Screws
B. Top Hinge

Center Hinge



A. Spacer
B. Center Hinge
C. $\frac{5}{16}$ " Hex-Head Hinge Screws
D. Spacer

Bottom Hinge

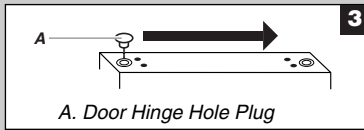


A. Spacer
B. Bottom Hinge
C. $\frac{5}{16}$ " Hex-Head Hinge Screws

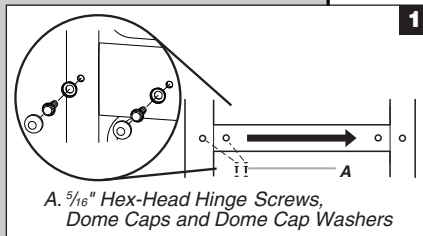
Door Swing Reversal (optional)



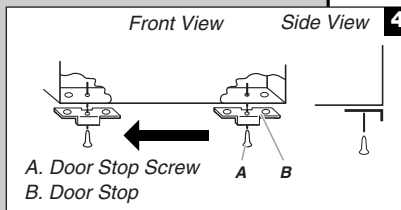
A. Cabinet Hinge Hole Plugs



A. Door Hinge Hole Plug



A. $\frac{5}{16}$ " Hex-Head Hinge Screws,
Dome Caps and Dome Cap Washers



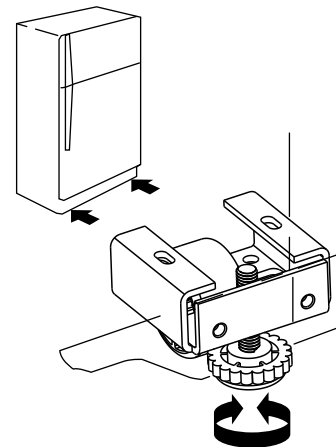
A. Door Stop Screw
B. Door Stop

Adjust the Doors

Your refrigerator has two adjustable rollers - one on the right and one on the left. If your refrigerator seems unsteady or you want the doors to close easier, adjust the refrigerator's tilt using the instructions below.

1. Turn the leveling leg to lower or raise that side of the refrigerator. It may take several turns to adjust the tilt of the refrigerator.
 - To raise, turn the leveling leg to the left.
 - To lower, turn the leveling leg to the right.

NOTE: Having someone push against the top of the refrigerator takes some weight off the leveling legs and rollers which makes it easier to adjust.



2. Open both doors again to make sure they close as easily as you like. If not, tilt the refrigerator slightly more to the rear by turning both leveling legs to the left; it may take several more turns.

NOTE: To keep the refrigerator level, you should turn both leveling legs the same amount.
3. Using a level, be sure that the refrigerator is still level side to side. Readjust if necessary.

REFRIGERATOR FEATURES

Your model may have some or all of these features.

Important information to know about glass shelves and covers:

Do not clean glass shelves or covers with warm water when they are cold. Shelves and covers may break if exposed to sudden temperature changes or impact, such as bumping. Tempered glass is designed to shatter into many small, pebble-size pieces. This is normal. Glass shelves and covers are heavy. Use both hands when removing them to avoid dropping.

Refrigerator Shelves (Glass shelves on some models)

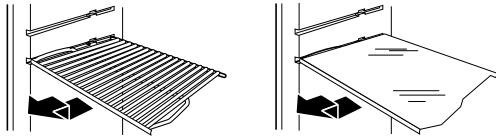
The shelves in your refrigerator are adjustable to match your individual storage needs.

Storing similar food items together in your refrigerator and adjusting the shelves to fit different heights of items will make finding the exact item you want easier. It will also reduce the amount of time the refrigerator door is open, and save energy.

Shelves and Glass Shelves (on some models)

To remove and replace a shelf:

1. Remove items from the shelf.
2. Slide the shelf straight out to the stop.
3. Depending on your model, lift back or front of the shelf past the stop. Slide shelf out the rest of the way.
4. Replace the shelf by sliding the back of the shelf into the track in the wall of the cabinet.
5. Guide the front of the shelf into the shelf track. Be sure to slide the shelf in all the way.



Crisper

Crisper Drawers

To remove and replace the crisper drawer:

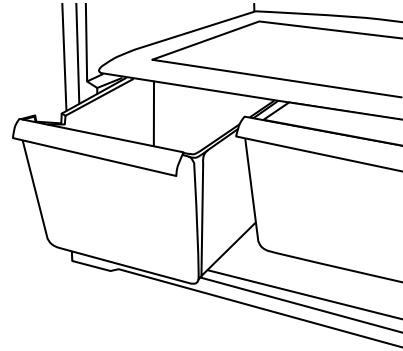
1. Slide the crisper drawer straight out to the stop. Lift the front and slide the drawer out the rest of the way.
2. Replace the drawer by sliding the drawer in fully past the stop.

Crisper Cover

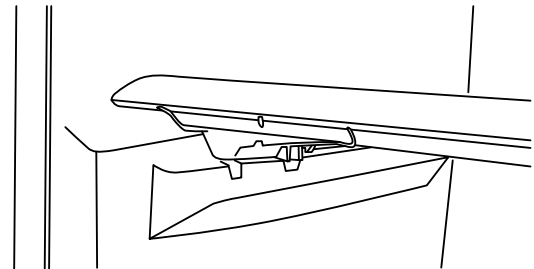
Style 1 - Plastic Cover

To remove and replace the crisper cover:

1. Remove the crisper(s).



2. Lift the cover up and slide it out.
3. Replace the cover by fitting the cover tabs into lowest cabinet slots and pushing them in. Lower the front retainers into place.



Style 2 - Glass Cover

To remove and replace the crisper cover:

1. Pull the glass straight out.
2. Replace the glass by pushing it straight in.

FREEZER FEATURES

Your model may have some or all of these features.

Important information to know about glass shelves and covers:

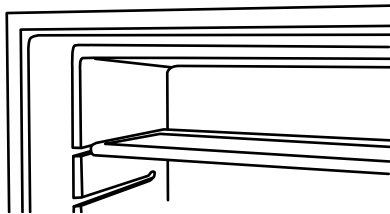
Do not clean glass shelves or covers with warm water when they are cold. Shelves and covers may break if exposed to sudden temperature changes or impact, such as bumping. Tempered glass is designed to shatter into many small, pebble-size pieces. This is normal. Glass shelves and covers are heavy. Use both hands when removing them to avoid dropping.

Freezer Shelf (on some models)

Full-width Shelf (on some models)

To remove and replace the freezer shelf:

1. Remove items from the shelf.
2. Lift back of shelf over stop and slide shelf straight out.
3. Replace the shelf by sliding the back of the shelf into the tracks on walls of cabinet.
4. Be sure to slide the shelf in all the way.

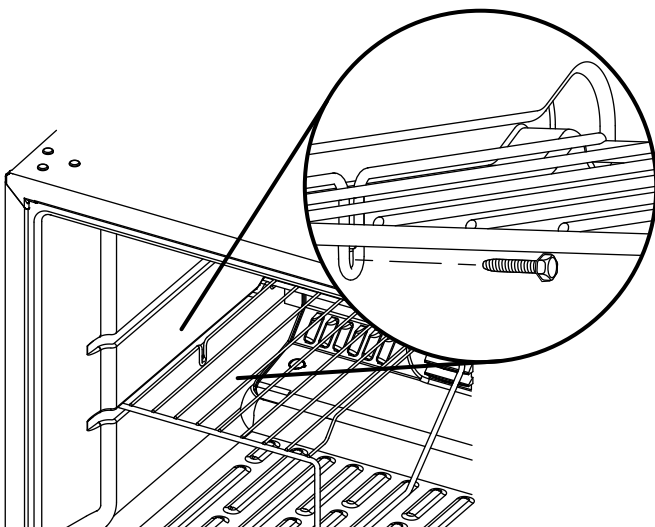


Half-width Shelf (on some models)

IMPORTANT: The half-width shelf can only be installed in the left-hand side of the freezer compartment.

To remove and replace the freezer shelf:

1. Remove items from shelf.
2. Remove the shelf screw. Lift back of shelf over stop and slide it out.
3. Replace the shelf by sliding the back of the shelf into the tracks on walls of cabinet. Fasten with the shelf screw.



Frozen Food Storage Guide

Storage times will vary according to the quality and type of food, the type of packaging or wrap used (should be airtight and moisture-proof), and the storage temperature. Seal the package or container securely to avoid taste and odor transfer throughout the product. Ice crystals inside a sealed package are normal. This simply means that moisture in the food and air inside the package have condensed, creating ice crystals.

Put no more unfrozen food into the freezer than will freeze within 24 hours (no more than 2 to 3 lbs of food per cubic foot [907 to 1,350 g per L] of freezer space). Leave enough space in the freezer for air to circulate around packages. The freezer door must close tightly.

NOTE: For more information on preparing food for freezing, check a freezer guide or reliable cookbook.

DOOR FEATURES

Your model may have some or all of these features.

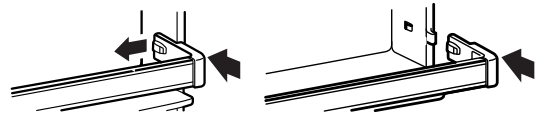
Door Rails

The door rails may be removed for easier cleaning.

Snap-on Door Rails (on some models)

To remove and replace the rails:

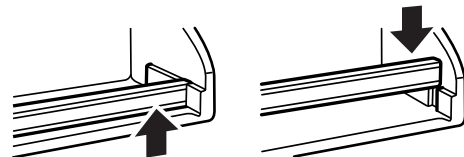
1. Depending on your model, remove the rails by pushing in slightly on the front of the bracket while pulling out on the inside tab. Repeat these steps for the other end.
2. Replace the rails by aligning the ends of the brackets with the buttons on the sides of the door liner. Firmly snap bracket and assembly onto the tabs above the shelf as shown.



Drop-in Door Rails (on some models)

To remove and replace the rails:

1. Remove the rails by pulling straight up on each end of the rail.
2. Replace the rails by sliding the shelf rail into the slots on the door and pushing the rail straight down until it stops.



INSTRUCTIONS D'INSTALLATION ET MANUEL D'UTILISATION

Réfrigérateur superposé

SÉCURITÉ DU RÉFRIGÉRATEUR

Votre sécurité et celle des autres est très importante.

Nous donnons de nombreux messages de sécurité importants dans ce manuel et sur votre appareil ménager. Assurez-vous de toujours lire tous les messages de sécurité et de vous y conformer.



Voici le symbole d'alerte de sécurité.

Ce symbole d'alerte de sécurité vous signale les dangers potentiels de décès et de blessures graves à vous et à d'autres.

Tous les messages de sécurité suivront le symbole d'alerte de sécurité et le mot "DANGER" ou "AVERTISSEMENT". Ces mots signifient :

⚠ DANGER

Risque possible de décès ou de blessure grave si vous ne suivez pas immédiatement les instructions.

⚠ AVERTISSEMENT

Risque possible de décès ou de blessure grave si vous ne suivez pas les instructions.

Tous les messages de sécurité vous diront quel est le danger potentiel et vous disent comment réduire le risque de blessure et ce qui peut se produire en cas de non-respect des instructions.

IMPORTANTES INSTRUCTIONS DE SÉCURITÉ

AVERTISSEMENT : Pour réduire les risques d'incendie, de choc électrique ou des blessures lors de l'utilisation du réfrigérateur, prendre quelques précautions fondamentales, y compris les suivantes :

- Brancher l'appareil sur une prise à 3 alvéoles reliée à la terre.
- Ne pas enlever la broche de liaison à la terre.
- Ne pas utiliser un adaptateur.
- Ne pas utiliser un câble de rallonge.
- Débrancher la source de courant électrique avant l'entretien.
- Replacer pièces et panneaux avant de faire la remise en marche.
- Enlever les portes de votre vieux réfrigérateur.
- Utiliser un produit de nettoyage ininflammable.
- Garder les matériaux et les vapeurs inflammables, telle que l'essence, loin du réfrigérateur.
- Utiliser deux ou plus de personnes pour déplacer et installer le réfrigérateur.
- Débrancher le réfrigérateur avant l'installation de la machine à glaçons (seulement pour modèles prêts à recevoir une machine à glaçons).

CONSERVEZ CES INSTRUCTIONS

Avertissements de la proposition 65 de l'État de Californie :

AVERTISSEMENT : Ce produit contient au moins un produit chimique connu par l'État de Californie pour être à l'origine de cancers.

AVERTISSEMENT : Ce produit contient au moins un produit chimique connu par l'État de Californie pour être à l'origine de malformations et autres déficiences de naissance.

Mise au rebut appropriée de votre vieux réfrigérateur

⚠ AVERTISSEMENT

Risque de suffoquer

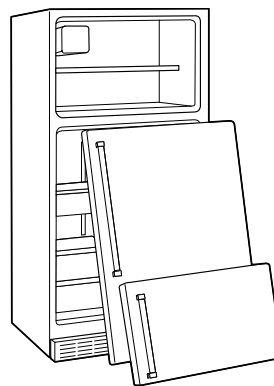
Enlever les portes de votre vieux réfrigérateur.

Le non-respect de cette instruction peut causer un décès ou des lésions cérébrales.

IMPORTANT : L'emprisonnement et l'étouffement des enfants ne sont pas un problème du passé. Les réfrigérateurs jetés ou abandonnés sont encore dangereux, même s'ils sont laissés abandonnés pendant "quelques jours seulement". Si vous vous débarrassez de votre vieux réfrigérateur, veuillez suivre les instructions suivantes pour aider à éviter les accidents.

Avant de jeter votre vieux réfrigérateur ou congélateur :

- Enlever les portes.
- Laisser les tablettes en place de sorte que les enfants ne puissent pas y pénétrer facilement.



Renseignements importants à propos de la mise au rebut des fluides réfrigérants :

Mettre le réfrigérateur au rebut conformément à la réglementation fédérale et locale. Les fluides réfrigérants doivent être évacués par un technicien certifié et agréé par l'EPA conformément aux procédures établies.

INSTRUCTIONS D'INSTALLATION

Déballage du réfrigérateur

⚠ AVERTISSEMENT

Risque du poids excessif

Utiliser deux ou plus de personnes pour déplacer et installer le réfrigérateur.

Le non-respect de cette instruction peut causer une blessure au dos ou d'autre blessure.

Déplacement de votre réfrigérateur :

Votre réfrigérateur est lourd. Lors du déplacement de votre réfrigérateur pour le nettoyage ou un entretien ou réparation, veiller à recouvrir le plancher avec du carton ou un panneau de fibres dures pour éviter qu'il ne subisse tout dommage. Toujours tirer le réfrigérateur tout droit lors de son déplacement. Ne pas incliner le réfrigérateur d'un côté ou de l'autre ni le "faire marcher" en essayant de le déplacer car le plancher pourrait être endommagé.

Enlèvement des matériaux d'emballage

- Enlever le ruban adhésif et la colle des surfaces du réfrigérateur avant de le mettre en marche. Frotter une petite quantité de savon liquide pour la vaisselle sur l'adhésif avec les doigts. Rincer à l'eau tiède et essuyer.

REMARQUE : Ne pas utiliser d'instruments coupants, d'alcool à friction, de liquides inflammables ou de nettoyants abrasifs pour enlever le ruban adhésif ou la colle. Ces produits peuvent endommager la surface de votre réfrigérateur. Pour plus de renseignements, voir "Sécurité du réfrigérateur".

- Jeter ou recycler tous les matériaux d'emballage.

IMPORTANT : Ne pas enlever l'encart en mousse blanche du retour d'air situé derrière le panneau de commande au plafond du réfrigérateur (sur certains modèles). L'encart fait partie du réfrigérateur et n'est pas un matériau d'emballage. Si l'encart est enlevé, de la glace peut se former en provenance du congélateur et causer la formation de glaçons.

Nettoyage avant l'utilisation

Après avoir enlevé tous les matériaux d'emballage, nettoyer l'intérieur du réfrigérateur avant de l'utiliser. Voir les instructions de nettoyage dans "Entretien du réfrigérateur".

Importants renseignements à savoir au sujet des tablettes et des couvercles en verre :

Ne pas nettoyer les tablettes ou couvercles en verre avec de l'eau tiède quand ils sont froids. Les tablettes et les couvercles peuvent se briser s'ils sont exposés à des changements soudains de température ou à un impact tel que coup brusque. Le verre trempé est conçu pour éclater en d'innombrables pièces minuscules. Ceci est normal. Les tablettes et les couvercles en verre sont lourds. Les saisir à deux mains lors de leur dépose afin d'éviter de les faire tomber.

Exigences d'emplacement

⚠ AVERTISSEMENT



Risque d'explosion

Garder les matériaux et les vapeurs inflammables, telle que l'essence, loin du réfrigérateur.

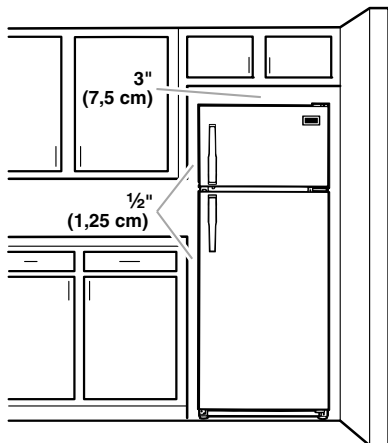
Le non-respect de cette instruction peut causer un décès, une explosion ou un incendie.

IMPORTANT : Ce réfrigérateur est conçu pour un usage domestique, à l'intérieur uniquement.

Pour assurer une aération appropriée pour votre réfrigérateur, laisser un espace de 1/2" (1,25 cm) de chaque côté. Laisser un espace de 3" (7,5 cm) entre le dessus du réfrigérateur et les placards muraux. Laisser au moins 1" (2,5 cm) entre l'arrière du réfrigérateur et le mur. Si votre réfrigérateur comporte une machine à glaçons, s'assurer qu'un espace additionnel est prévu à l'arrière pour permettre les connexions des conduits d'eau.

- Si vous installez votre réfrigérateur près d'un mur fixe, prévoir suffisamment d'espace du côté des charnières pour permettre à la porte de s'ouvrir sans obstruction.
- Établir l'aplomb du réfrigérateur. Voir "Ajustement des portes".

REMARQUE : Ce réfrigérateur est conçu pour être utilisé dans un endroit où la température est comprise entre un minimum de 55°F (13°C) et un maximum de 110°F (43°C). La plage de température ambiante idéale pour une performance optimale est comprise entre 60°F (15°C) et 90°F (32°C). Respecter cette plage de température permet aussi de réduire la consommation d'électricité et d'optimiser l'efficacité du refroidissement. Il est recommandé de ne pas installer le réfrigérateur près d'une source de chaleur, tel un four ou un radiateur.



Spécifications électriques

⚠ AVERTISSEMENT



Risque de choc électrique

Brancher sur une prise à 3 alvéoles reliée à la terre.

Ne pas enlever la broche de liaison à la terre.

Ne pas utiliser un adaptateur.

Ne pas utiliser un câble de rallonge.

Le non-respect de ces instructions peut causer un décès, un incendie ou un choc électrique.

Avant de placer le réfrigérateur à son emplacement final, il est important de vous assurer d'avoir la connexion électrique appropriée.

Méthode recommandée de mise à la terre

Une source d'alimentation de 115 volts, 60 Hz, type 15 ou 20 ampères CA seulement, protégée par fusible et adéquatement mise à la terre, est nécessaire. Il est recommandé d'utiliser un circuit distinct pour alimenter uniquement votre réfrigérateur. Utiliser une prise murale qui ne peut pas être mise hors circuit à l'aide d'un commutateur. Ne pas utiliser un câble de rallonge.

REMARQUE : Avant d'installer ou de nettoyer un quelconque élément, ou de retirer une ampoule d'éclairage, désactiver le refroidissement ou placer la commande (du thermostat, réfrigérateur ou congélateur selon le modèle) à OFF (arrêt) et débrancher ensuite le réfrigérateur de la source d'alimentation électrique. Lorsque vous avez terminé, reconnecter le réfrigérateur à la source d'alimentation électrique et réactiver le refroidissement ou replacer la commande (du thermostat, réfrigérateur ou congélateur selon le modèle) au réglage désiré. Voir "Utilisation des commandes" dans les instructions d'utilisation, le guide d'utilisation, ou le guide d'utilisation et d'entretien.

Spécifications de l'alimentation en eau

Lire toutes les instructions avant de commencer.

Rassembler les outils et pièces nécessaires avant de commencer l'installation. Lire et suivre les instructions fournies avec les outils indiqués ici.

OUTILLAGE NÉCESSAIRE : Tournevis à lame plate, clés plates de 7/16" et 1/2" ou deux clés à molette réglables, tourne-écrou et foret de 1/4", perceuse sans fil.

IMPORTANT :

- Si on doit utiliser le réfrigérateur avant qu'il soit raccordé à la canalisation d'eau, placer la commande de la machine à glaçons à la position OFF (arrêt).
- Toutes les installations doivent être conformes aux exigences des codes locaux de plomberie.
- Utiliser un tube en cuivre et vérifier s'il y a des fuites. Installer les tubes en cuivre seulement à des endroits où la température se maintient au-dessus du point de congélation.

REMARQUE : Votre marchand de réfrigérateurs présente une trousse disponible avec un robinet d'arrêt à étrier de 1/4" (6,35 mm), un raccord et un tube en cuivre. Avant l'achat, s'assurer que le robinet d'arrêt à étrier est conforme à vos codes locaux de plomberie. Ne pas employer de robinet d'arrêt à étrier de 3/16" (4,76 mm) ou de type à percer, ce qui réduit le débit d'eau et cause une obstruction plus facilement.

Pression de l'eau

IMPORTANT : Une alimentation en eau froide avec une pression comprise entre 30 et 120 lb/po² (207 et 827 kPa) est nécessaire pour faire fonctionner la machine à glaçons.

REMARQUE : Si la pression en eau est inférieure aux critères minimaux, cela peut entraîner la formation de glaçons creux ou de forme irrégulière.

Si vous avez des questions au sujet de la pression de votre eau, faire appel à un plombier qualifié agréé.

Alimentation en eau par osmose inverse

Si un système de filtration de l'eau par osmose inverse est raccordé à votre alimentation en eau froide, la pression de l'eau au système doit être d'un minimum de 40 à 60 lb/po² (276 à 414 kPa).

Si la machine à glaçons ne fonctionne toujours pas correctement :

- Vérifier pour voir si le filtre du système d'osmose inverse est bloqué, et le remplacer si nécessaire.
- Laisser le réservoir du système d'osmose inverse se remplir après une utilisation intense.

Raccordement de la canalisation d'eau (sur certains modèles)

Lire toutes les instructions avant de commencer.

IMPORTANT : Si on met en marche le réfrigérateur avant son raccordement à la canalisation d'eau, placer la commande de la machine à glaçons à la position OFF (arrêt) afin d'éviter un bruit excessif ou des dommages au robinet d'eau.

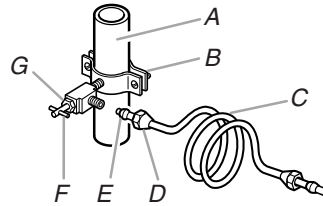
Raccordement à une canalisation d'eau

1. Débrancher le réfrigérateur ou déconnecter la source de courant électrique.
2. FERMER le robinet principal d'arrivée d'eau. OUVRIER le robinet de puisage le plus proche pendant une période suffisante pour que la canalisation d'eau se vide.

3. Trouver une canalisation d'eau froide verticale de 1/2" à 1 1/4" (1,27 à 3,18 cm) près du réfrigérateur.

IMPORTANT :

- S'assurer qu'il s'agit d'une canalisation d'eau froide.
 - Un conduit horizontal fonctionnera mais percer par le dessus de la canalisation et non pas par le dessous. Ainsi, l'eau ne risquera pas d'arroser la perceuse et ceci empêchera également les sédiments qu'on trouve normalement dans l'eau de s'accumuler dans le robinet.
4. Pour déterminer la longueur du tube en cuivre, il faut mesurer la distance entre le point de connexion inférieur gauche à l'arrière du réfrigérateur et le tuyau de canalisation d'eau. Ajouter une longueur de 7 pi (2,1 m) pour permettre le déplacement du réfrigérateur pour le nettoyage. Utiliser un tube en cuivre de 1/4" (6,35 mm) de diamètre extérieur. Veiller à ce que le tube soit coupé d'équerre aux deux extrémités.
 5. À l'aide d'une perceuse sans fil, percer un trou de 1/4" dans le tuyau de canalisation d'eau froide choisie.



- A. Tuyau de canalisation d'eau froide
B. Bride de tuyau
C. Tube en cuivre
D. Écrou de compression
E. Bague de compression
F. Robinet d'arrêt
G. Écrou de serrage

6. Fixer le robinet d'arrêt sur la canalisation d'eau froide avec la bride de tuyau. Vérifier que l'extrémité de sortie du robinet est bien engagée dans le trou de 1/4" percé dans la canalisation et que la rondelle d'étanchéité est placée sous la bride de tuyau. Serrer l'écrou de serrage. Serrer lentement et uniformément les vis de la bride de tuyau afin que la rondelle forme une jonction étanche. Ne pas serrer excessivement.
7. Enfiler l'écrou et la bague de compression du raccord sur le tube en cuivre comme on le voit sur l'illustration. Insérer l'extrémité du tube aussi loin que possible dans l'extrémité de sortie du robinet. Visser l'écrou de compression sur l'extrémité de sortie avec une clé à molette. Ne pas serrer excessivement.
8. Placer le bout libre du tube dans un contenant ou évier et OUVRIER le robinet principal d'arrivée d'eau et laisser l'eau s'écouler par le tube jusqu'à ce que l'eau soit limpide. FERMER le robinet principal d'arrivée d'eau. Enrouler le tube en cuivre en spirale.

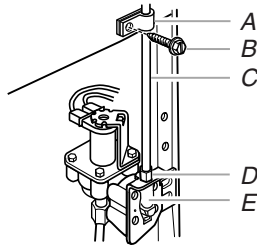
Raccordement au réfrigérateur

REMARQUE : Pour les modèles en kit, installer le robinet d'eau sur le réfrigérateur conformément aux instructions du kit.

Style 1

1. Débrancher le réfrigérateur ou déconnecter la source de courant électrique.
2. Connecter le tube en cuivre au robinet d'eau en utilisant un écrou et une bague de compression tel qu'illustré. Serrer l'écrou de compression. Ne pas serrer excessivement.
3. Utiliser la bride du tube à l'arrière du réfrigérateur pour fixer le tube au réfrigérateur tel qu'illustré. Ceci aidera à éviter les dommages au tube lorsque le réfrigérateur est poussé contre le mur.
4. OUVRIER le robinet d'arrêt.

5. Inspecter pour rechercher les fuites. Serrer tous les raccords (y compris les raccords du robinet) ou les écrous qui fuient.

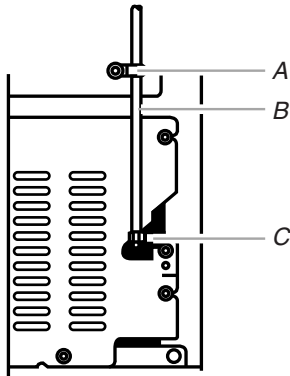


A. Bride du tube
B. Vis de bride du tube
C. Tube en cuivre
D. Écrou de compression
E. Robinet d'arrivée d'eau

6. La machine à glaçons est équipée d'un filtre à eau incorporé. Si la qualité de l'eau distribuée localement nécessite un deuxième filtre à eau, il serait utile de l'installer dans la canalisation d'eau de 1/4" (6,35 mm) sur l'un ou l'autre des raccords du tuyau. On peut obtenir un tel filtre à eau chez le marchand d'appareils électroménagers le plus proche.

Style 2

1. Débrancher le réfrigérateur ou déconnecter la source de courant électrique.
2. Déconnecter la bride du tube à l'arrière du produit et introduire le tube en cuivre dans la bride, tel qu'illustré.
3. Connecter le tube en cuivre à l'arrivée d'eau du robinet en utilisant un écrou et une bague de compression tel qu'illustré.
4. Serrer l'écrou de compression. Ne pas serrer excessivement. Rattacher la bride du tube et le tube à l'arrière de la caisse.



A. Bride du tube
B. Tube en cuivre
C. Écrou de compression

5. OUVRIRE le robinet d'arrêt. Inspecter pour rechercher les fuites. Serrer tous les raccords (y compris les raccords du robinet d'eau) ou les écrous qui fuient.
6. La machine à glaçons est équipée d'un filtre à eau incorporé. Si la qualité de l'eau distribuée localement nécessite un deuxième filtre à eau, il serait utile de l'installer dans la canalisation d'eau de 1/4" (6,35 mm) sur l'un ou l'autre des raccords du tuyau. On peut obtenir un tel filtre à eau chez le marchand d'appareils électroménagers le plus proche.

Achever l'installation

⚠ AVERTISSEMENT



Risque de choc électrique

Brancher sur une prise à 3 alvéoles reliée à la terre.

Ne pas enlever la broche de liaison à la terre.

Ne pas utiliser un adaptateur.

Ne pas utiliser un câble de rallonge.

Le non-respect de ces instructions peut causer un décès, un incendie ou un choc électrique.

1. Brancher sur une prise à 3 alvéoles reliée à la terre.

REMARQUE : Attendre 24 heures pour produire la première quantité de glaçons. Jeter les trois premières quantités de glaçons produites. Attendre 3 jours pour que le bac à glaçons se remplisse entièrement.

Portes du réfrigérateur

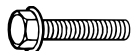
OUTILLAGE NÉCESSAIRE :

- Clé à douille avec douille hexagonale de 5/16"
- Clé plate de 5/16"
- Tournevis Phillips n° 2
- Couteau à mastic plat de 2"
- Tournevis à lame plate

IMPORTANT :

- Avant de commencer, tourner la commande du réfrigérateur à OFF (arrêt). Débrancher le réfrigérateur ou déconnecter la source de courant électrique.
- Retirer les aliments et tout balconnet réglable ou casier utilitaire des portes du réfrigérateur.
- Si vous désirez seulement enlever et réinstaller les portes, voir "Démontage - Portes et charnières" et "Réinstallation - Portes et charnières".
- Toutes les illustrations mentionnées dans les instructions suivantes sont incluses plus loin dans cette section après "Étapes finales".

Démontage - Portes et charnières



Vis de charnière à tête hexagonale de 5/16"

1. Débrancher le réfrigérateur ou déconnecter la source de courant électrique.
2. Fermer la porte du réfrigérateur; maintenir les deux portes fermées jusqu'au moment où on est prêt à les séparer de la caisse de l'appareil.
REMARQUE : Prévoir un support additionnel des portes pendant le démontage des charnières. La force d'attraction des aimants des portes ne suffit pas à les maintenir en place.
3. Enlever les pièces de la charnière supérieure - voir l'illustration de la charnière supérieure. Soulever la porte du compartiment de congélation pour la séparer de la caisse.
4. Enlever les pièces de la charnière centrale - voir l'illustration de la charnière centrale. Soulever la porte du réfrigérateur pour la séparer de la caisse.
5. Enlever les pièces de la charnière inférieure - voir l'illustration de la charnière inférieure.

Inversion des portes (facultatif)

IMPORTANT : Si on souhaite inverser la position des portes pour pouvoir les ouvrir dans la direction opposée, procéder comme suit. S'il n'est pas nécessaire de changer l'orientation des portes, voir "Réinstallation - Portes et charnières".

Les illustrations suivent ces instructions.



Vis de butée de la porte



Bouchon d'obturation de charnière de porte



Chapeau bombé



Bouchon d'obturation de charnière de caisse



Rondelle de chapeau bombé

Caisse

1. Enlever les vis à tête hexagonale de 5/16" de la charnière (côté poignée); transférer ces pièces du côté opposé. Voir l'illustration 1.
2. Enlever les bouchons obturateurs des trous au sommet de la caisse; transférer ceux-ci dans les trous de charnière du côté opposé. Voir l'illustration 2.

Porte du compartiment de congélation

1. Enlever le bouchon obturateur de charnière sur la porte du congélateur. Transférer le bouchon obturateur au trou du côté opposé. Voir l'illustration 3.
2. Enlever la butée de porte. Transférer la pièce du côté opposé de la porte du congélateur. Voir l'illustration 4.
3. Conserver la porte à part jusqu'à la mise en place des charnières de la porte du compartiment de congélation.

Porte du compartiment de réfrigération

1. Enlever le bouchon obturateur de charnière sur la porte du réfrigérateur. Transférer le bouchon obturateur au trou du côté opposé. Voir l'illustration 3.
2. Enlever la butée de porte. Transférer la pièce du côté opposé de la porte du réfrigérateur. Voir l'illustration 4.
3. Conserver la porte du réfrigérateur à part jusqu'à ce que la charnière inférieure soit installée sur le réfrigérateur.

Réinstallation - Portes et charnières

REMARQUE : Si on inverse le sens d'ouverture des portes, considérer l'image symétrique.

1. Réinstaller les pièces de la charnière inférieure. Voir l'illustration. Serrer les vis. Réinstaller la porte du compartiment de réfrigération.
REMARQUE : Prévoir un support additionnel des portes pendant la réinstallation des charnières. La force d'attraction des aimants des portes ne suffit pas à les maintenir en place.
2. Assembler les pièces de la charnière centrale. Voir l'illustration. Serrer toutes les vis. Voir l'illustration de la charnière centrale. Réinstaller la porte du compartiment de congélation.
3. Assembler les pièces de la charnière supérieure. Voir l'illustration de la charnière supérieure. Ne pas complètement serrer les vis.
4. Aligner correctement les portes au niveau de la séparation entre le bas de la porte du compartiment de congélation et le sommet de la porte du réfrigérateur. Serrer toutes les vis.

Étapes finales

1. Inspecter tous les trous. Vérifier que tous les bouchons obturateurs et vis sont en place. Réinstaller le couvercle de la charnière supérieure. Voir l'illustration - charnière supérieure.

⚠ AVERTISSEMENT



Risque de choc électrique

Brancher sur une prise à 3 alvéoles reliée à la terre.

Ne pas enlever la broche de liaison à la terre.

Ne pas utiliser un adaptateur.

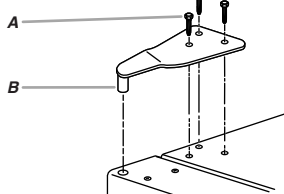
Ne pas utiliser un câble de rallonge.

Le non-respect de ces instructions peut causer un décès, un incendie ou un choc électrique.

2. Brancher sur une prise à 3 alvéoles reliée à la terre.
3. Réinitialiser les commandes. Voir "Utilisation de la/des commande(s)".
4. Replacer toutes les pièces amovibles de porte dans les portes et les aliments dans le réfrigérateur.

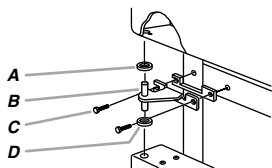
Démontage et réinstallation de la porte

Charnière supérieure



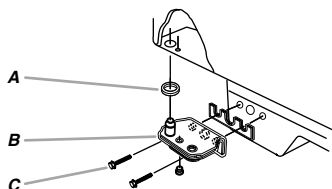
- A. Vis de charnière à tête hexagonale de $\frac{5}{16}$ "
B. Charnière supérieure

Charnière centrale



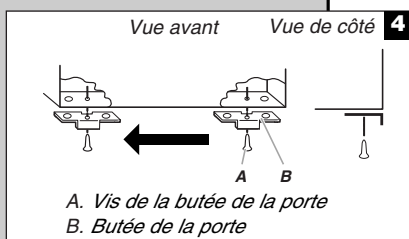
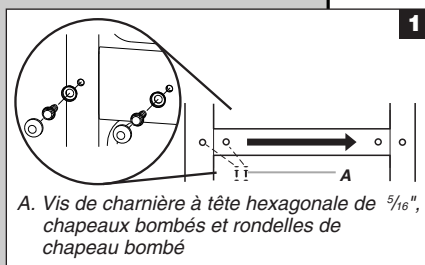
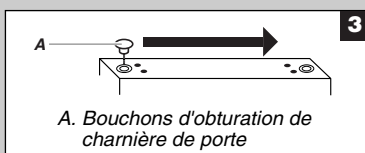
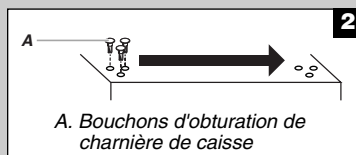
- A. Cale d'espacement
B. Charnière centrale
C. Vis de charnière à tête hexagonale de $\frac{5}{16}$ "
D. Cale d'espacement

Charnière inférieure



- A. Cale d'espacement
B. Charnière inférieure
C. Vis de charnière à tête hexagonale de $\frac{5}{16}$ "

Inversion du sens d'ouverture de la porte (facultatif)

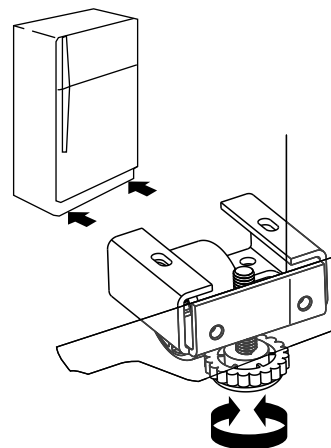


Ajustement des portes

Votre réfrigérateur comporte deux roulettes réglables, l'une à droite et l'autre à gauche. Si votre réfrigérateur semble instable ou si vous désirez que les portes se ferment plus facilement, régler l'inclinaison du réfrigérateur en suivant les instructions ci-dessous.

1. Tourner le pied de nivellement pour soulever ou abaisser tel côté du réfrigérateur. Plusieurs tours peuvent être nécessaires pour régler l'inclinaison du réfrigérateur.
 - Pour soulever le côté, tourner le pied de nivellement vers la gauche.
 - Pour abaisser le côté, tourner le pied de nivellement vers la droite.

REMARQUE : Si une autre personne pousse le haut du réfrigérateur, le poids devient moins lourd sur les vis de nivellement et les roulettes, ce qui rend plus facile l'ajustement des vis.



- Ouvrir à nouveau les deux portes et vérifier que leur fermeture est aussi aisée que vous le souhaitez. Si ce n'est pas le cas, incliner le réfrigérateur un peu plus vers l'arrière en tournant les deux pieds de nivellement vers la gauche. Plusieurs tours seront peut-être nécessaires.

REMARQUE : Pour que le réfrigérateur soit d'aplomb, il faut appliquer le même nombre de tours aux deux pieds de nivellement.

- À l'aide d'un niveau, s'assurer que le réfrigérateur est encore d'aplomb dans le sens transversal. Le réajuster au besoin.

CARACTÉRISTIQUES DU RÉFRIGÉRATEUR

Votre modèle peut comporter l'ensemble de ces caractéristiques ou certaines d'entre elles.

Importants renseignements à savoir au sujet des tablettes et des couvercles en verre :

Ne pas nettoyer les tablettes ou couvercles en verre avec de l'eau tiède quand ils sont froids. Les tablettes et les couvercles peuvent se briser s'ils sont exposés à des changements soudains de température ou à un impact tel que coup brusque. Le verre trempé est conçu pour éclater en d'innombrables pièces minuscules. Ceci est normal. Les tablettes et les couvercles en verre sont lourds. Les saisir à deux mains lors de leur dépose afin d'éviter de les faire tomber.

Tablettes du réfrigérateur (Tablettes en verre sur certains modèles)

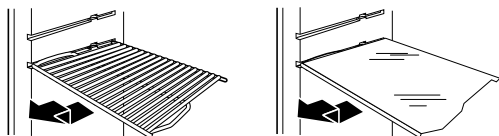
Les tablettes dans votre réfrigérateur peuvent être réglées pour correspondre à vos besoins individuels.

Le remisage d'aliments semblables ensemble dans le réfrigérateur et le réglage des tablettes pour convenir à différentes hauteurs d'articles alimentaires et de contenants permettra de trouver l'article exact plus facilement et réduira aussi le temps d'ouverture de la porte du réfrigérateur, ce qui économisera de l'énergie.

Tablettes et tablettes en verre (sur certains modèles)

Pour enlever et réinstaller une tablette :

- Ôter les articles de la tablette.
- Retirer la tablette tout droit jusqu'à la butée.
- Selon votre modèle, soulever l'arrière ou l'avant de la tablette pour franchir la butée. Faire glisser la tablette complètement vers l'extérieur.
- Réinstaller la tablette en faisant glisser l'arrière de la tablette dans le support sur la paroi de la caisse.
- Guider l'avant de la tablette dans le support. Faire glisser la tablette complètement.



Bac à légumes

Tiroirs du bac à légumes

Pour retirer et réinstaller un tiroir :

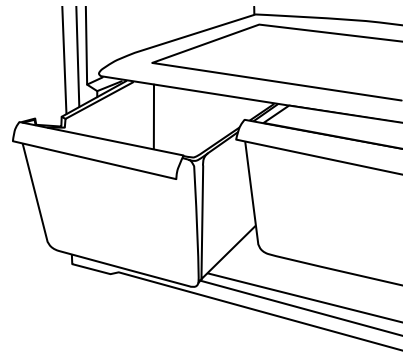
- Faire glisser le bac à légumes en ligne droite vers l'extérieur jusqu'à la butée. Soulever le devant. Faire glisser le tiroir complètement vers l'extérieur.
- Réinstaller le ou les tiroirs en le(s) faisant glisser jusqu'au fond au-delà de la butée.

Tiroirs du bac à légumes

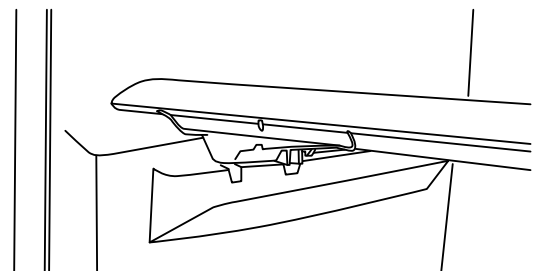
Style 1 - Couvercle en plastique

Pour retirer et réinstaller le couvercle :

- Retirer le ou les bacs à légumes.



- Soulever le couvercle et le faire glisser vers l'extérieur.
- Pour réinstaller le couvercle, introduire les languettes du couvercle dans les fentes les plus basses de la caisse et pousser vers l'intérieur. Abaisser les pattes de fixation avant en place.



Style 2 - Couvercle en verre

Pour retirer ou réinstaller les couvercles :

- Tirer sur le verre tout droit vers l'extérieur.
- Réinstaller en poussant sur le verre tout droit vers l'intérieur.

CARACTÉRISTIQUES DU CONGÉLATEUR

Votre modèle peut comporter l'ensemble de ces caractéristiques ou certaines d'entre elles.

Importants renseignements à savoir au sujet des tablettes et des couvercles en verre :

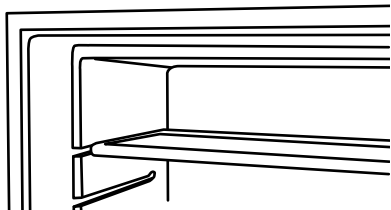
Ne pas nettoyer les tablettes ou couvercles en verre avec de l'eau tiède quand ils sont froids. Les tablettes et les couvercles peuvent se briser s'ils sont exposés à des changements soudains de température ou à un impact tel que coup brusque. Le verre trempé est conçu pour éclater en d'innombrables pièces minuscules. Ceci est normal. Les tablettes et les couvercles en verre sont lourds. Les saisir à deux mains lors de leur dépose afin d'éviter de les faire tomber.

Tablette du congélateur (sur certains modèles)

Tablette de pleine largeur (sur certains modèles)

Retirer et réinstaller la tablette du congélateur :

1. Ôter les articles sur la tablette.
2. Soulever l'arrière de la tablette par-dessus la butée. Faire glisser la tablette complètement vers l'extérieur.
3. Pour réinstaller la tablette, faire glisser l'arrière de la tablette dans le support sur les parois de la caisse.
4. Faire glisser la tablette complètement.

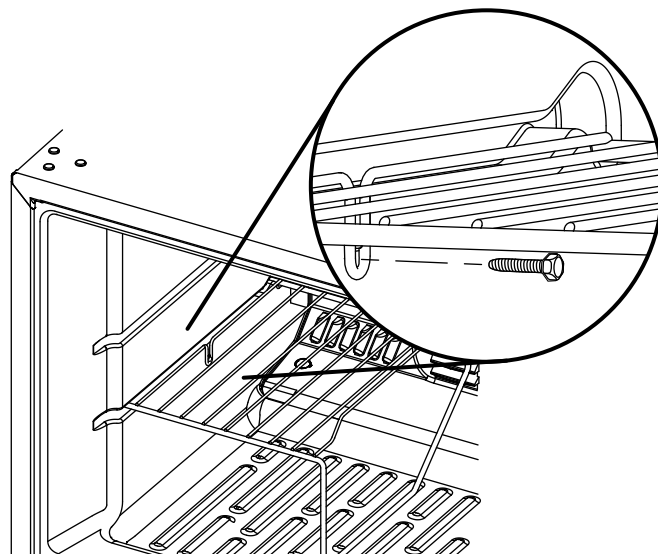


Tablette de demi-largeur (sur certains modèles)

IMPORTANT : La tablette de demi-largeur peut uniquement être installée du côté gauche du compartiment de congélation.

Retirer et réinstaller la tablette du congélateur :

1. Ôter les articles sur la tablette.
2. Retirer la vis de la tablette. Soulever l'arrière de la tablette hors de la butée et la faire glisser vers l'extérieur.
3. Replacer la tablette en faisant glisser l'arrière de la tablette dans les rails des parois de la caisse. Fixer à l'aide de la vis de la tablette.



Guide d'entreposage des aliments surgelés

Les périodes de conservation varieront selon la qualité et le type des aliments, le type d'emballage et le type de pellicule utilisés (hermétiques et à l'épreuve de l'humidité) et la température d'entreposage. Sceller l'emballage ou le contenant hermétiques pour éviter au goût et à l'odeur de se transférer dans le produit. Les cristaux de glace à l'intérieur d'un emballage scellé sont normaux. Les cristaux signifient simplement que l'humidité dans les aliments et l'air à l'intérieur de l'emballage se sont condensés en créant des cristaux de glace.

Ne pas placer plus d'aliments non congelés dans le congélateur que la quantité qui congèlera dans l'intervalle de 24 heures (pas plus de 2 à 3 livres [907 à 1 350 g par L] d'aliments par pied cube d'espace dans le congélateur). Laisser assez d'espace pour permettre la circulation d'air entre les emballages. La porte doit fermer hermétiquement.

REMARQUE : Pour plus de renseignements au sujet de la préparation des aliments pour la congélation, consulter un guide pour congélateur ou un livre de recettes fiable.

CARACTÉRISTIQUES DE LA PORTE

Votre modèle peut comporter l'ensemble de ces caractéristiques ou certaines d'entre elles.

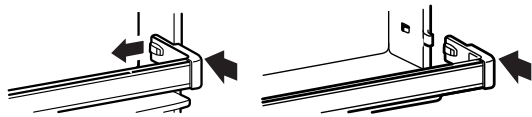
Tringles de porte

Les tringles de porte peuvent être enlevées pour faciliter le nettoyage.

Emboîter les tringles de porte (sur certains modèles)

Pour retirer et réinstaller les tringles :

1. Selon votre modèle, retirer les tringles en poussant légèrement sur le devant de la bride tout en tirant sur la languette intérieure. Répéter ces étapes pour l'autre extrémité.
2. Réinstaller les tringles en alignant les extrémités des brides avec les boutons sur les côtés de l'intérieur de la porte. Enclencher fermement les brides et l'ensemble sur les tenons au dessus de l'étagère. Voir l'illustration.



Tringles déposées dans la porte (sur certains modèles)

Pour retirer et réinstaller les tringles :

1. Retirer les tringles en les soulevant à partir de chaque extrémité de la tringle.
2. Réinstaller les tringles en faisant glisser la tringle de la tablette dans les fentes sur la porte et en poussant la tringle jusqu'à l'arrêt.

