

Chill[®] Series

Room Air Conditioners

Auto air sweep

provides even air distribution throughout the room for optimum comfort

MoneySaver[®] setting

runs the fan only while the compressor is running to save energy

Earth-friendly refrigerant

several models feature R-32 refrigerant with Low Global Warming Potential



FRIEDRICH

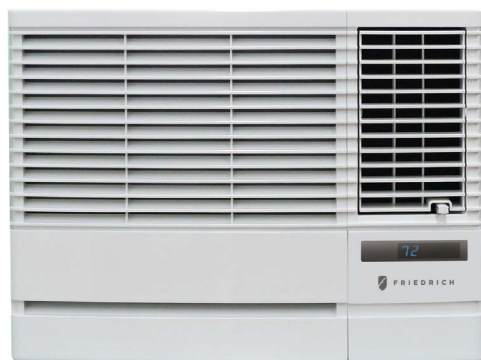
1 8 8 3

THE EXPERTS IN ROOM AIR CONDITIONING

Chill® Room Air Conditioners

SLEEK DESIGN IN DISTINCTIVE DESIGNER WHITE COLOR THAT BLENDS WITH YOUR ROOM DÉCOR.

Chill offers outstanding energy efficiency and is available in a range of capacities with convenience features for carefree cooling and heating.



CP06, CP08, CP10, CP12, CP15, CP18 and CP24
EP08, EP12, EP18, and EP24

SPECIFICATIONS

★ ENERGY STAR® models

Model	UPC	Cooling Btu	Heating Btu	Volts Rated	Cooling Amps	Cooling Watts	Heating Amps	Heating Watts	EER	CEER	Estimated Yearly Energy Cost	Moisture Removal-Pints/HR
Chill® (Cool Only)												
★ CP06G10B	724587432824	6000	—	115	4.6	490	—	—	12.2	12.1	\$44	1.8
★ CP08G10B	724587432831	8000	—	115	6.2	660	—	—	12.2	12.0	\$60	2.2
★ CP10G10B	724587432848	10000	—	115	7.7	820	—	—	12.1	12.0	\$74	3.0
★ CP12G10B	724587432855	12000	—	115	9.3	990	—	—	12.1	12.0	\$89	3.3
★ CP15G10B	724587432862	15500	—	115	11.9	1300	—	—	11.9	11.8	\$117	4.0
★ CP18G30B	724587432879	19000/18600	—	230/208	7.4/8.0	1590/1560	—	—	11.9/11.9	11.8/11.8	\$138	5.5
★ CP24G30B	724587432886	24000/23500	—	230/208	10.6/11.4	2260/2310	—	—	10.4/10.4	10.3/10.3	\$209	6.8
Chill®+ (Electric Heat)												
EP08G11B	724587431735	7500	3850	115	6.3	670	11.0	1260	11.2	11.0	\$61	2.1
EP12G33B	724587431742	12000/11500	11200/9200	230/208	4.8/5.1	1060/1010	14.0/15.3	3500/2900	11.3/11.3	11.2/11.2	\$96	3.3
EP18G33B	724587431759	18000/17500	12000/9800	230/208	7.2/7.8	1600/1560	16.0/15.0	3670/3100	11.2/11.2	11.1/11.1	\$144	5.5
EP24G33B	724587431766	23000/22500	12000/9800	230/208	10.6/11.5	2340/2290	16.0/15.0	3670/3100	9.8/9.8	9.8/9.8	\$211	6.5

Chill+ Electric Heat heating information indicates electric heat strip performance.

As an ENERGY STAR® partner, Friedrich Air Conditioning Co. has determined that the selected ENERGY STAR® models meet the ENERGY STAR® guidelines for energy efficiency. Your results will depend on your utility rates and use. The estimated energy cost is based on a electricity cost of \$.12 per kWh.

For more information, visit www.ftc.gov/energy.

Due to continuing research in new energy-saving technology, specifications are subject to change without notice.



HEAT

Chill+ Electric Heat models

utilize an electric heat strip to provide warm air quickly. They can be used for primary heating in moderate climates and as supplemental heating in colder climates. They are ideal for rooms that are always 'too cold in winter'.

Your Friedrich dealer can assist you in selecting the right unit for your particular climate and application.

Comfort & Convenience

- 24-hour timer
- Auto Air Sweep swing louvers provide more even air distribution
- Chill units feature a 3-speed fan for cooling or fan-only setting
- Chill+ units feature a 2-speed fan for cooling, heating or fan-only setting
- Chill+ units quickly provide warm air into the room
- Ultra quiet operation
- 4-way air flow control
- Auto-restart saves settings if power is interrupted
- Slinger ring condensate removal

Health

- Washable, antimicrobial air filter
- Check filter alert
- Stale air exhaust

Safety & Security Features

- EntryGard® anti-intrusion protection

Installation Features

- Slideout chassis
- All Chill models have sleeve built into the unit
- Install in window or thru-wall
- Standard installation hardware
- Expandable side curtains
- Power cord can run either left or right out of the side of the unit front

Earth Friendly

- Zero Ozone Depletion Refrigerant
- R32 refrigerant with low Global Warming Potential (select models)
- ENERGY STAR® qualified models
- Money Saver® setting saves money by operating the fan only when cooling

Refrigerant	CFM	Weight Net./Ship lbs.	Sleeve
R410A	200	62/71	P6
R32	250	63/72	
R32	300	75/85	P7
R32	330	83/93	
R32	400	117/132	P9
R32	520	132/147	
R32	590	137/152	
R410A	250	79/85	P6
R410A	265	87/93	P7
R410A	430	136/150	P9
R410A	560	146/160	



Auto Air Sweep

Oscillating fan for constant air movement left and right*



LCD Remote

Convenient control of your Chill air conditioner

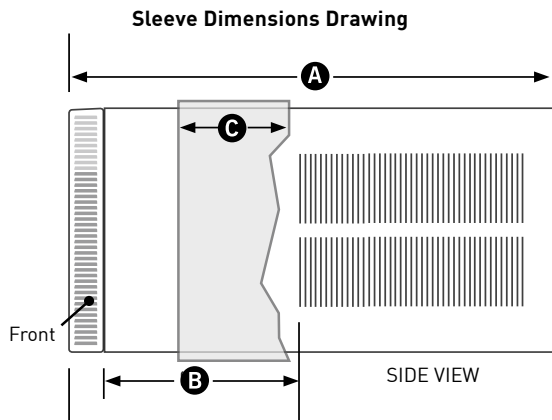
ur energy costs



INSTALLATION

Sleeve	Height Inches	Width Inches	Depth with Front Inches	Shell Depth to Louvers Inches	Minimum Extension Into Room* Inches	Minimum Extension Outside* Inches	Window Width Inches		In-wall Installation Finished Hole Inches			Carton Dimensions Inches		
			A	B			Minimum**	Maximum	Height	Width	Max. Depth C	Height	Width	Depth
P6	13 7/8"	18 9/16"	20 11/16"	8 1/8"	4 1/2"	11"	20 1/8"	36"	14 1/8"	18 7/8"	7 1/2"	17 7/8"	22 3/4"	22"
P7	15"	23 5/8"	22 1/16"	8 3/4"	4 1/2"	12"	25 1/4"	39"	15 1/4"	23 7/8"	8"	18 3/4"	26 3/4"	23 7/8"
P9	16 7/8"	25 1/2"	30 5/16"	10 1/4"	5 1/2"	19 1/2"	26 1/2"	42"	17 1/8"	26 1/4"	9"	21 1/2"	33"	28 7/8"

* Minimum extensions when mounted in a window. ** Minimum widths achieved using one side curtain assembly as opposed to both in a standard installation.



CIRCUIT RATING/BREAKER

Model	Circuit Rating Breaker or T-D Fuse	Plug Face (NEMA#)	Power Cord Length (ft.)	Wall Outlet Appearance
CP06G10B, CP08G10B, CP10G10B, CP12G10B and CP15G10B. EP08G11B.	125V - 15A	5 - 15P	6	
CP18G30B	250V - 15A	6 - 15P	4 1/2	
CP24G30B, EP12G33B, EP18G33B and EP24G33B.	250V - 20A	6 - 20P	4	

COOLING SIZING GUIDE

Area to be Conditioned in sq. ft.	Approximate Cooling Btu Required
100 - 150	5000
150 - 250	6000
250 - 300	7000
300 - 350	8000
350 - 400	9000
400 - 450	10000
450 - 550	12000
550 - 700	14000
700 - 1000	18000
1000 - 1200	21000
1200 - 1400	23000
1400 - 1500	24000

Based on normal room insulation, average number of sun exposed windows and two person occupancy.

1. **If heavily shaded**, reduce cooling Btus required by 10%
2. **If very sunny**, increase cooling Btus required by 10%
3. Add 500 Btus per person for **more than 2 people**
4. Add 4,000 Btus if **the area is a kitchen**



Friedrich Air Conditioning Co. | 10001 Reunion Place, Suite 500 | San Antonio, TX 78216 | 877.599.5665 | www.friedrich.com