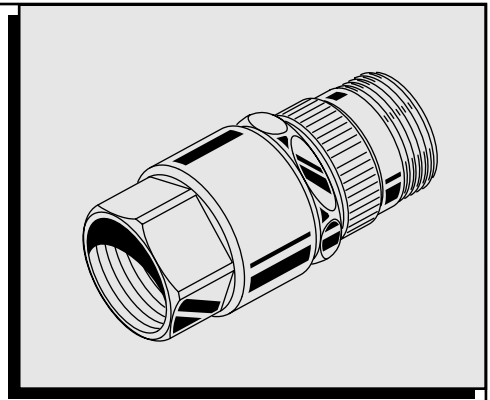


American Standard

1660.400

**VACUUM
BREAKER
1/2" NPT IN-LINE TYPE**

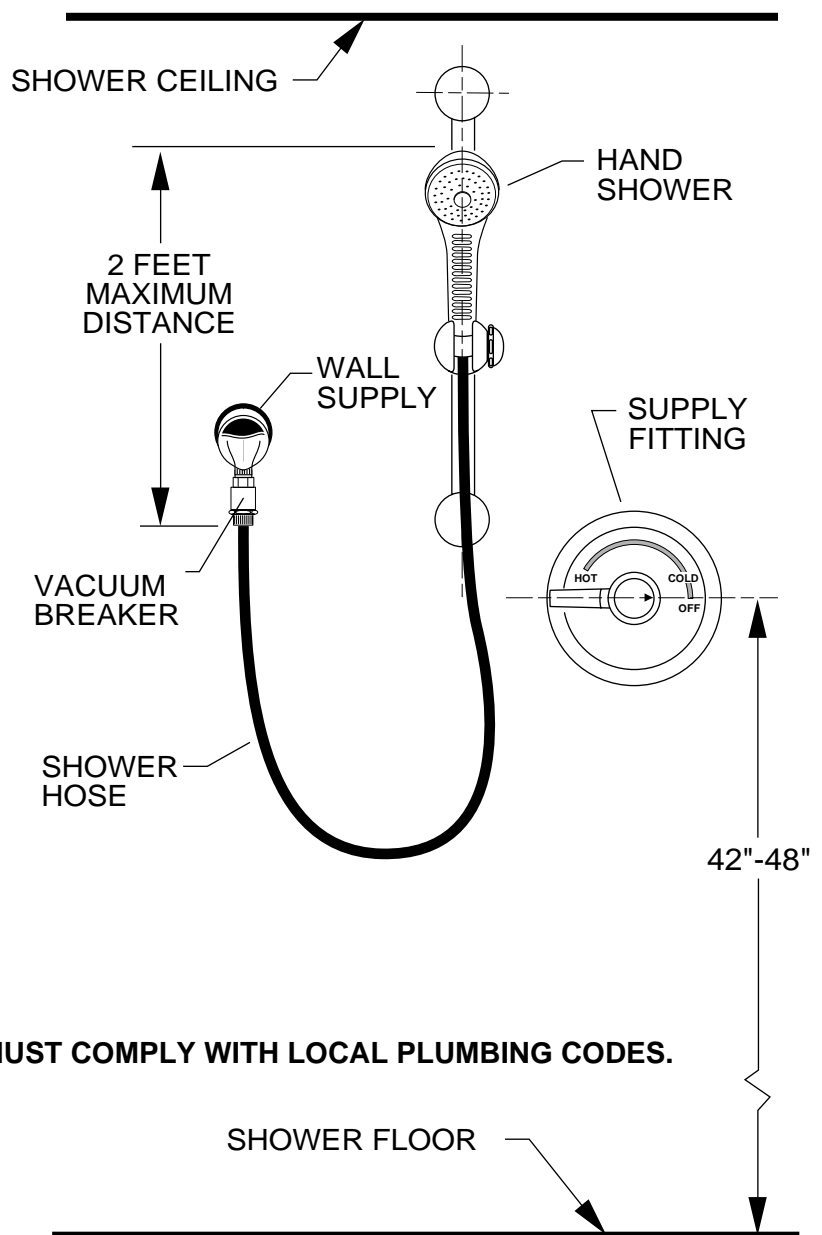
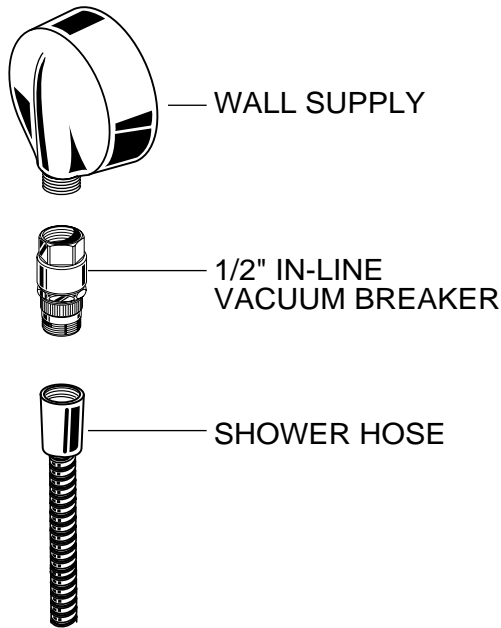


Thank you for selecting American-Standard...the benchmark of fine quality for over 100 years.

To ensure that your installation proceeds smoothly—please read these instructions carefully before you begin.

M968744

CAUTION: This device shall not be subject to continuous pressure



NOTE: INSTALLATION MUST COMPLY WITH LOCAL PLUMBING CODES.



HOTLINE FOR HELP
For toll-free information and answers to your questions, call:
1 (800) 223-0068
Weekdays 8:00 a.m. to 7:00 p.m. Eastern Time
Saturdays 8:00 a.m. to 4:00 p.m. Eastern Time
IN CANADA 1-800-387-0369 (TORONTO 1-416-536-5609)

Product names listed herein are trademarks of American Standard Inc.
©American Standard Inc. 1998